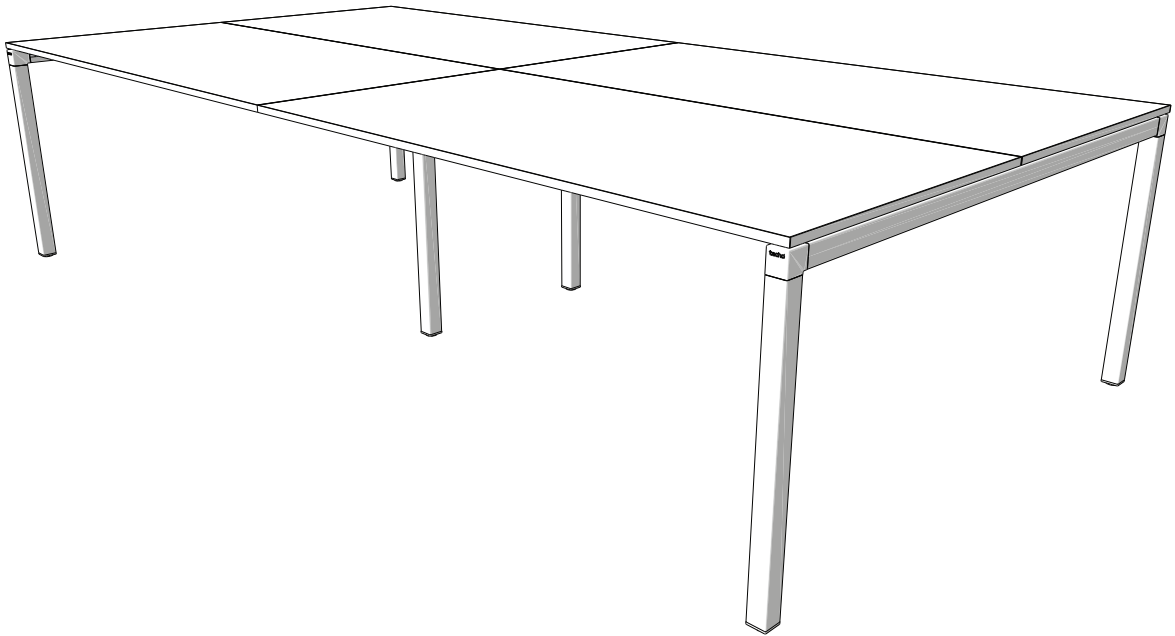


Fount Installation Manual

This manual will help you build the perfect solution for a comfortable workstation.

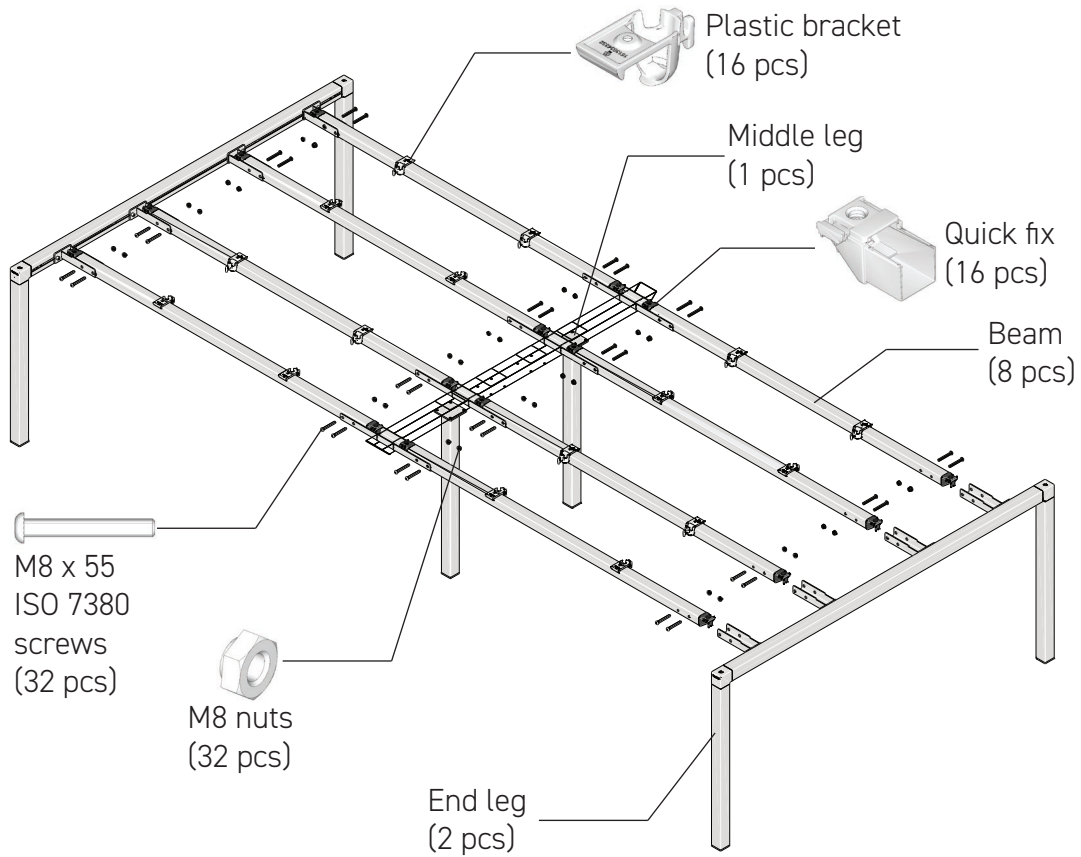
- * All legs can refer to this manual but the Original leg has been taken as an example to explain.
- * The manual shows installation of the quattro version.



Fount Installation Manual

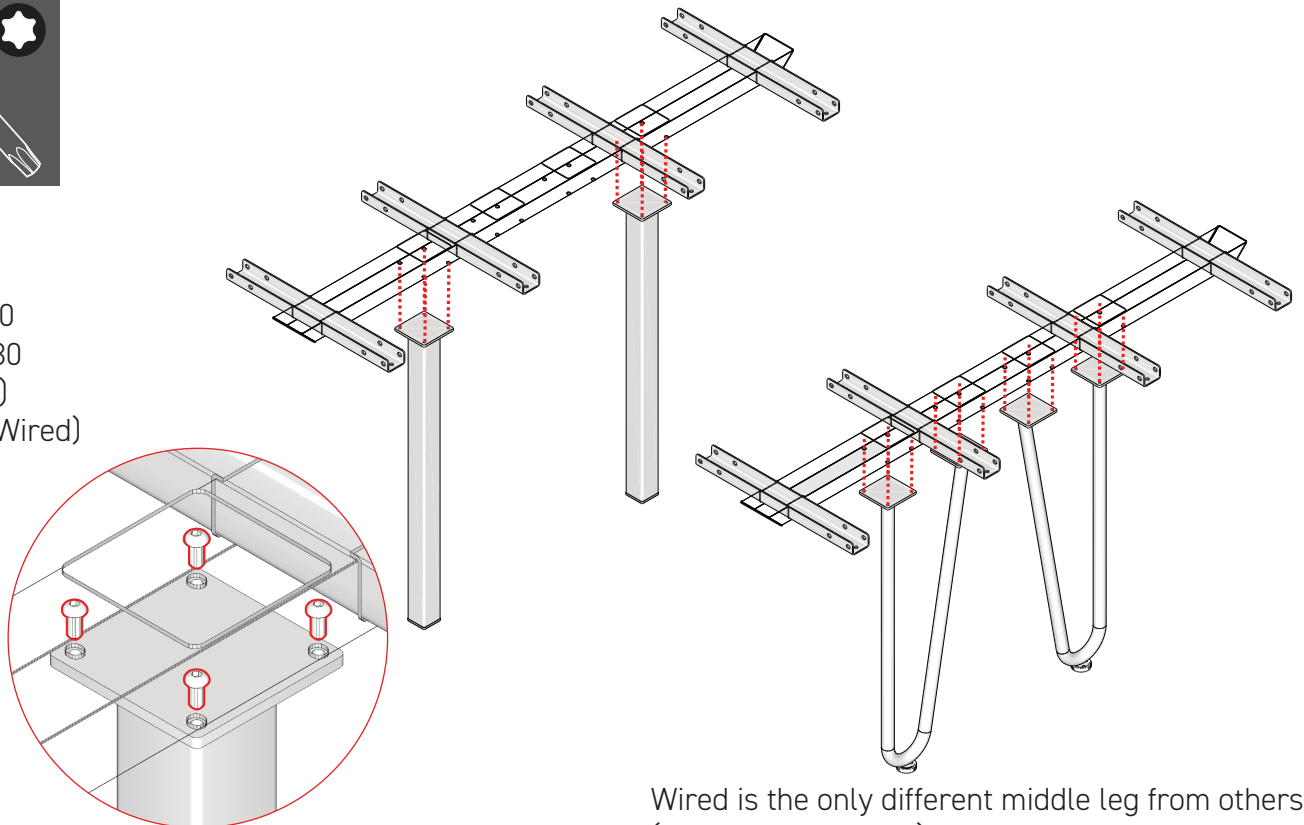
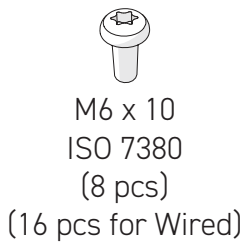
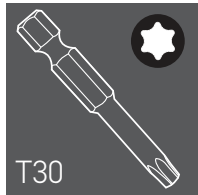
1

Structure



2

Install middle leg (Single and DUO version without middle leg, please omit this step)

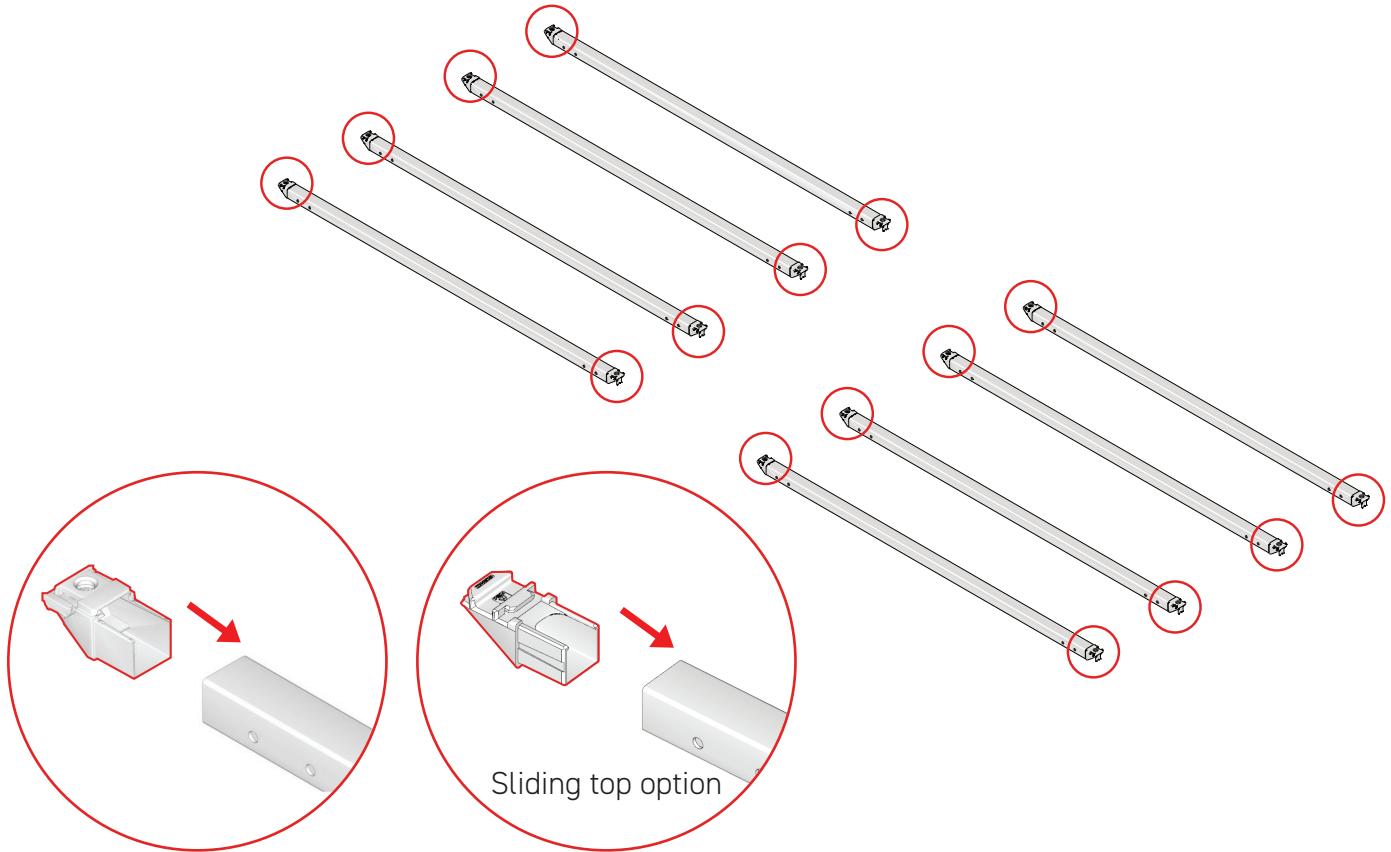


Wired is the only different middle leg from others (16 pcs of the screw)

Fount Installation Manual

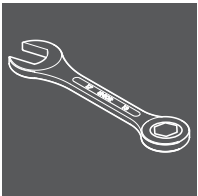
3

Insert plastic Quick fix element



4

The beams are attached into the adapter by screws and nuts of M8

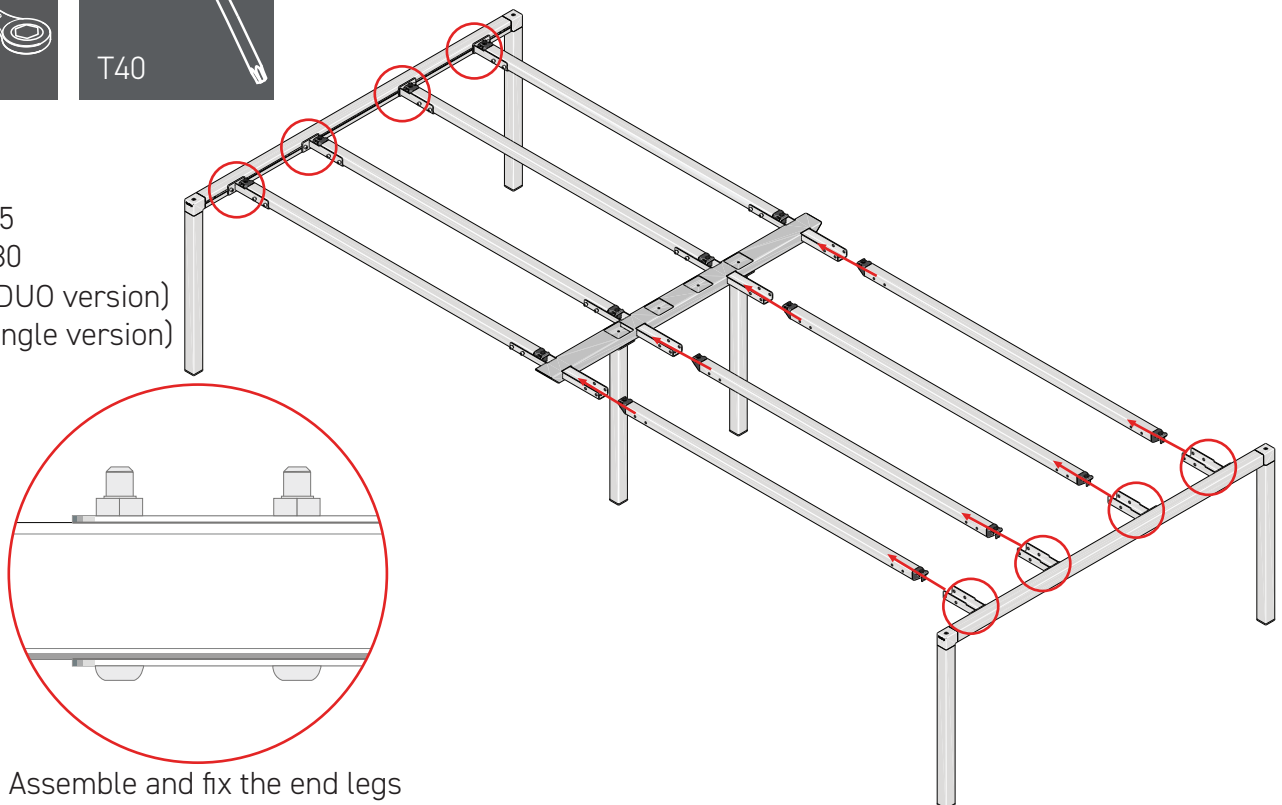


T40



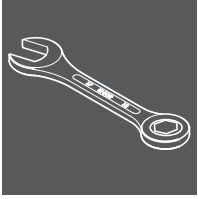
M8 x 55
ISO 7380

(16 pcs for DUO version)
(8 pcs for Single version)



Fount Installation Manual

5 Assemble the middle leg(s) but not yet fully fix the screws

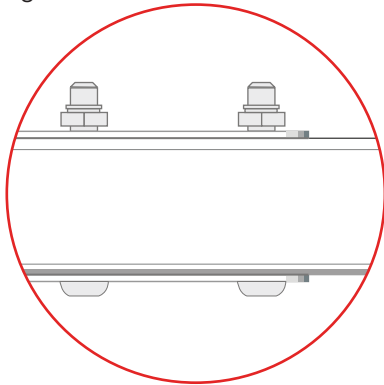


T40

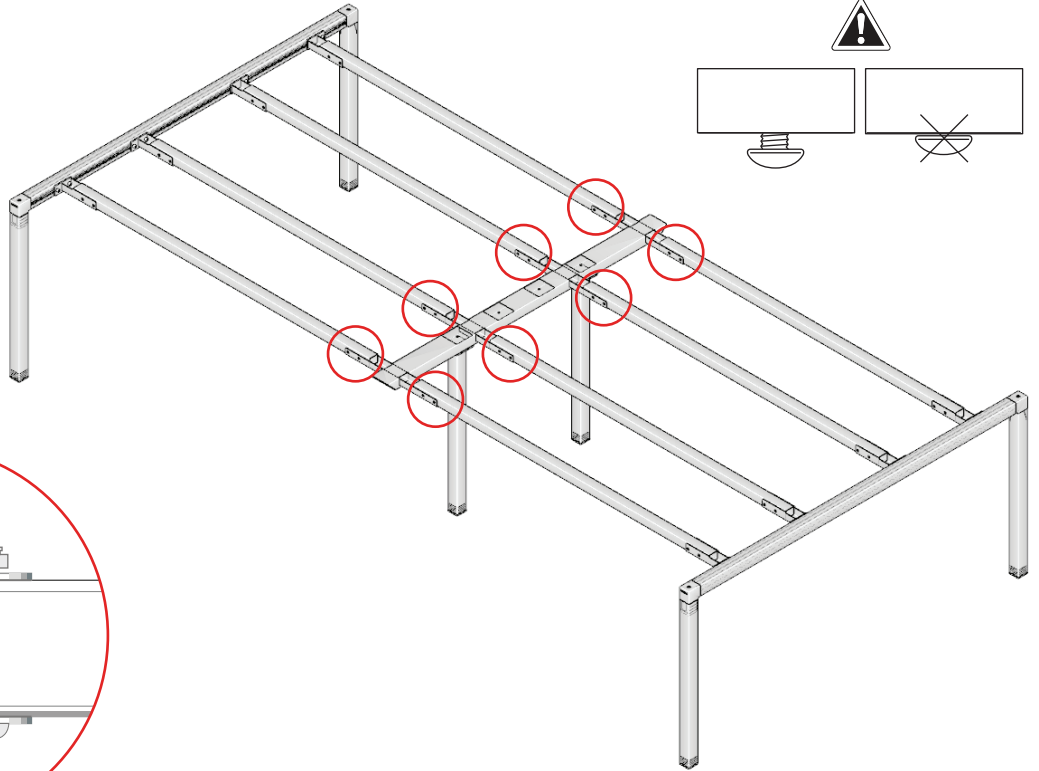


M8 x 55
ISO 7380

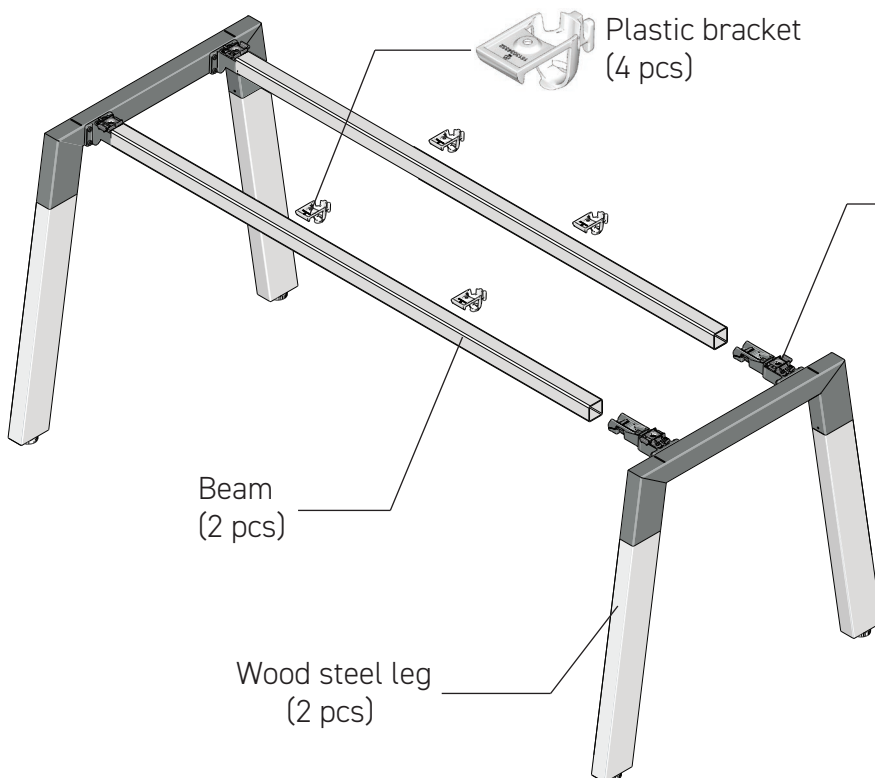
(16 pcs for DUO version)
(8 pcs for Single version)



M8 nuts reversed Flange of
the nut not in the U-profile



6 Wood steel leg has different way to connect with the frame and leg

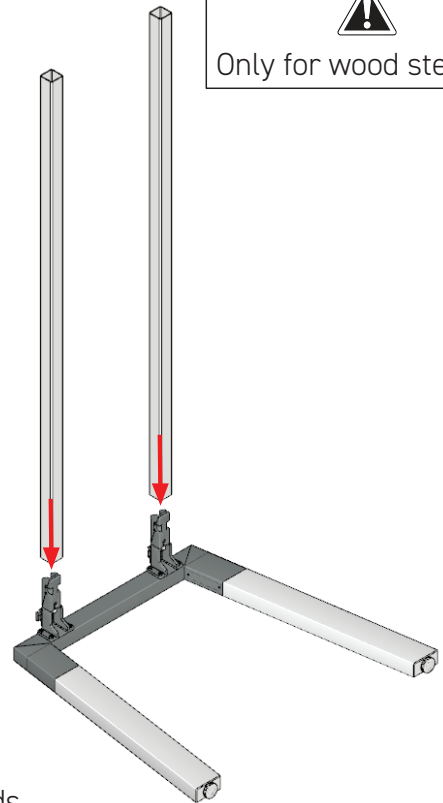
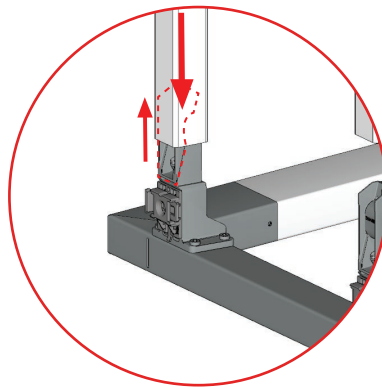
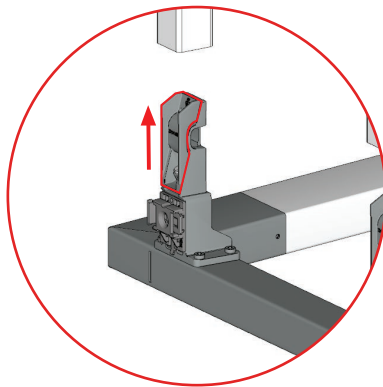


Only for wood steel leg,
For all other legs go to
point 10 on page 6.

Fount Installation Manual

7

Wood steel leg installation

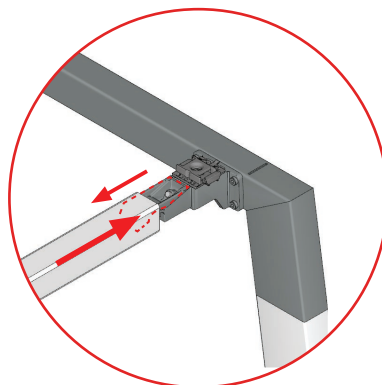
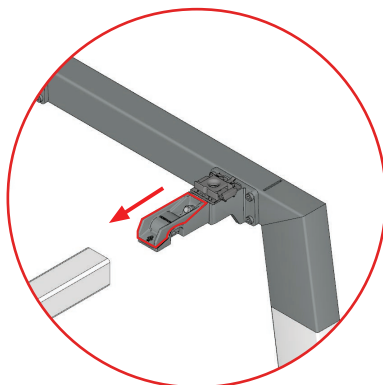


Only for wood steel leg

Slide tube over bracket while holding movable Alu-part upwards

8

Install the other side



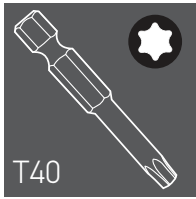
Only for wood steel leg

Push both tubes on both brackets simultaneously

Fount Installation Manual

9

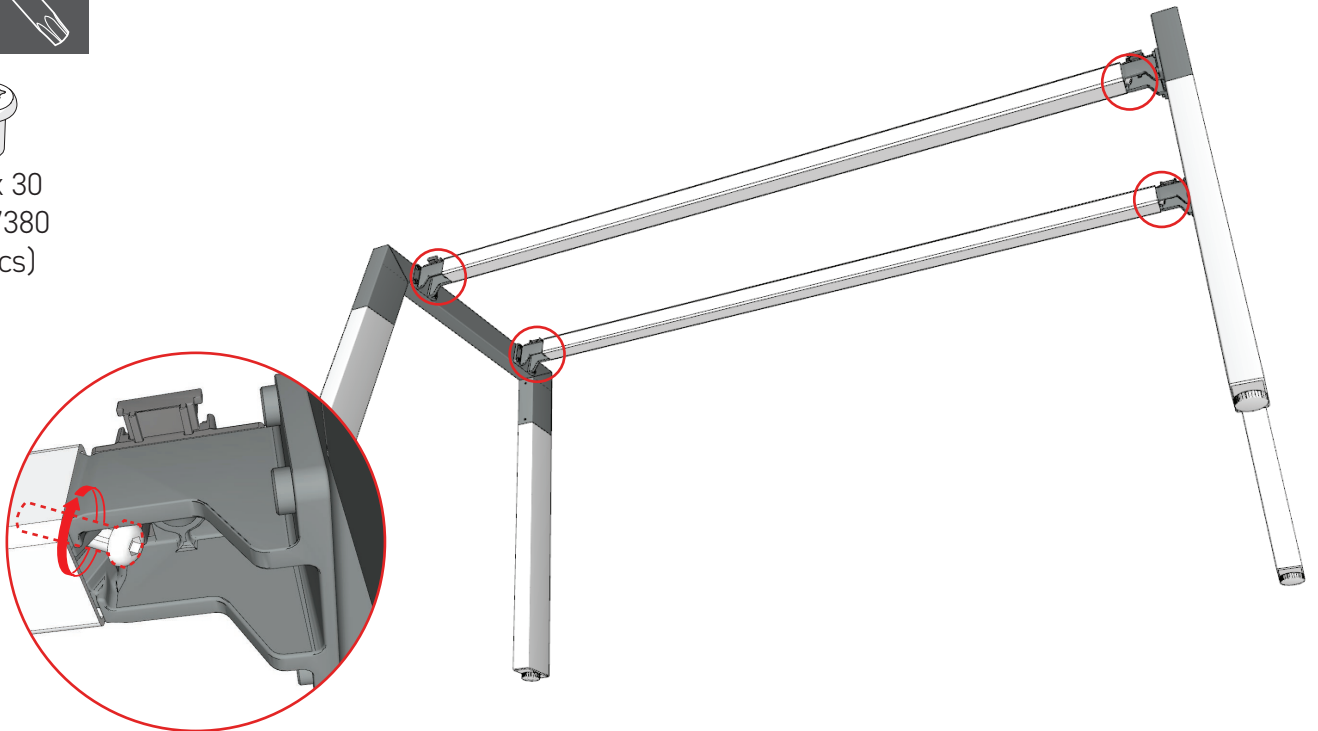
Fix the table beam



Only for wood steel leg

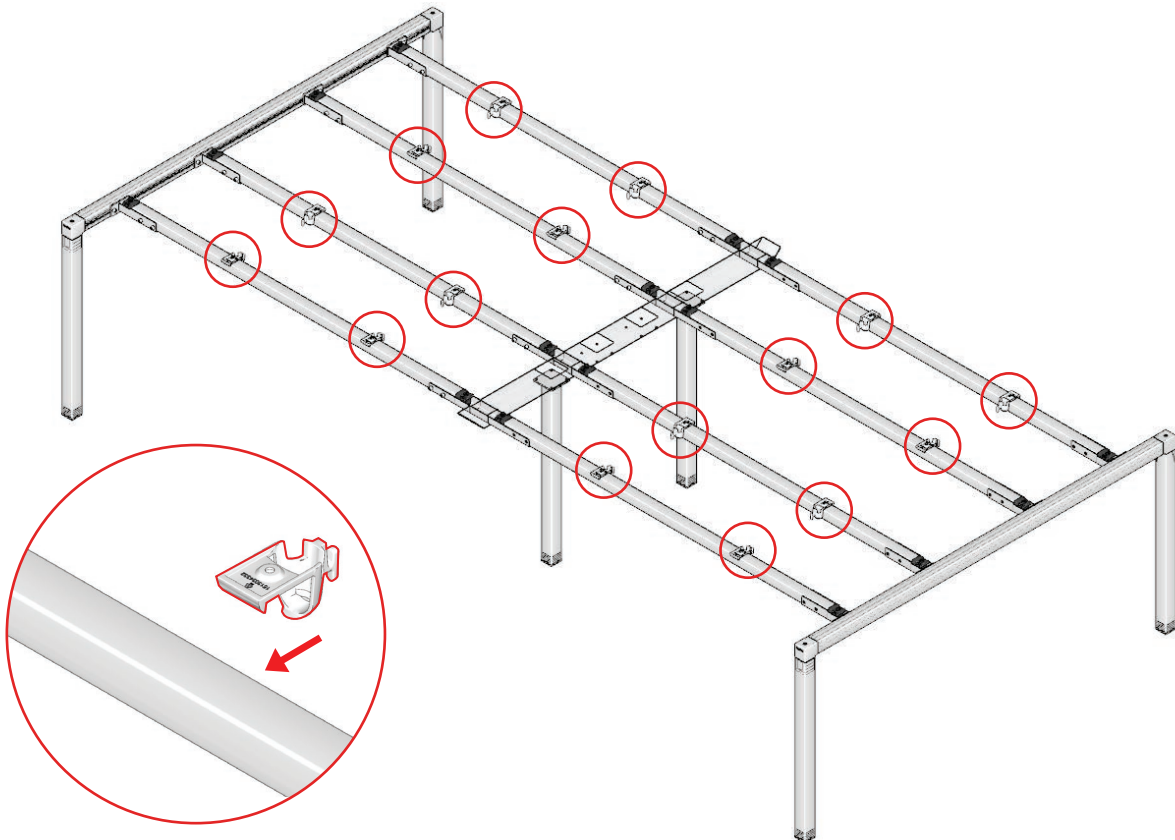


M8 x 30
ISO 7380
(4 pcs)



10

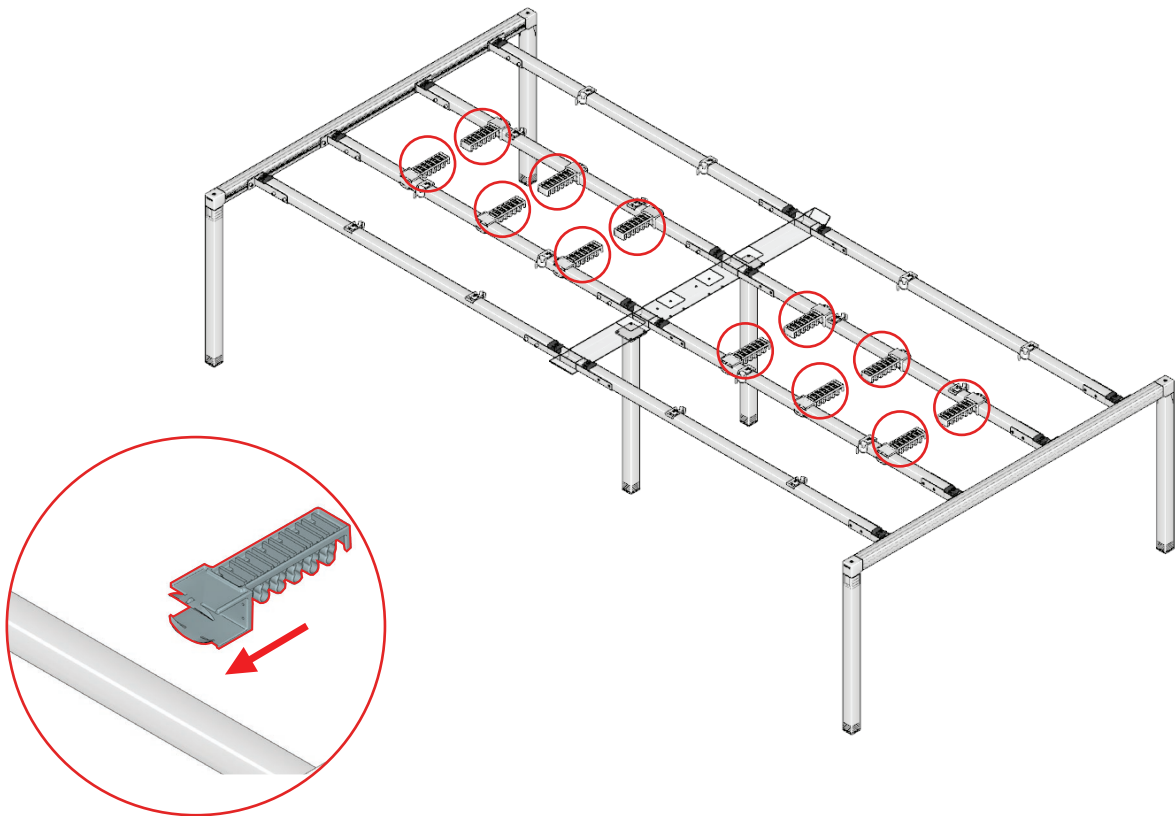
Insert plastic bracket



Fount Installation Manual

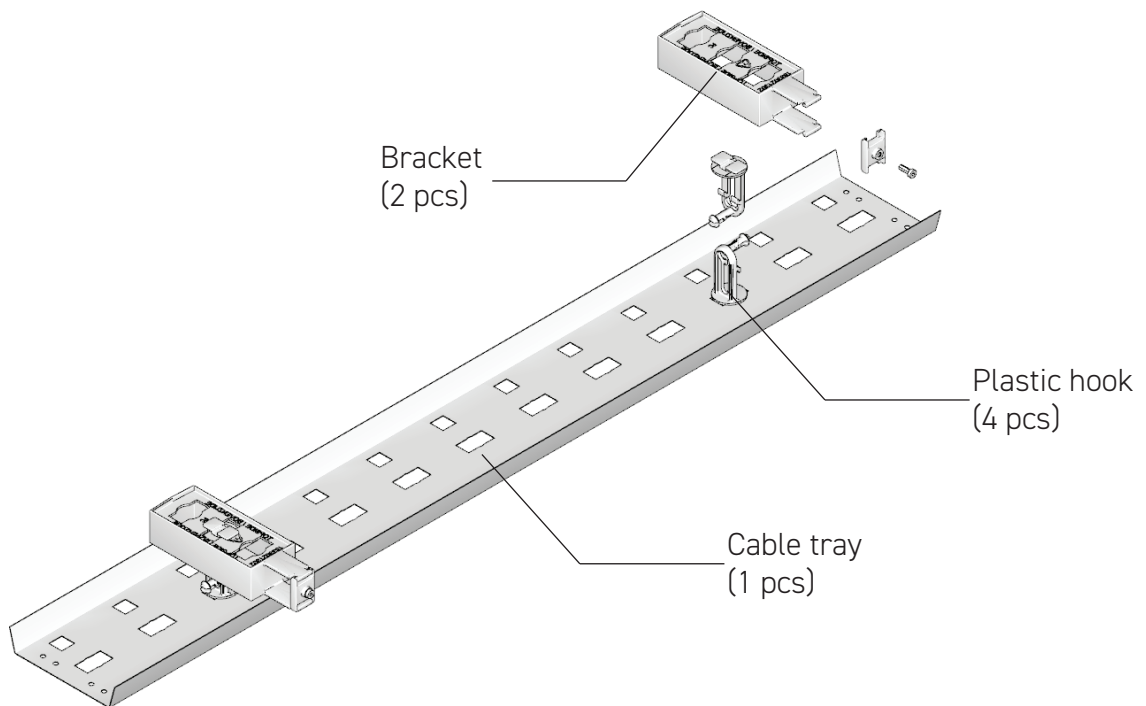
11

Insert the cable clips (optional)



12

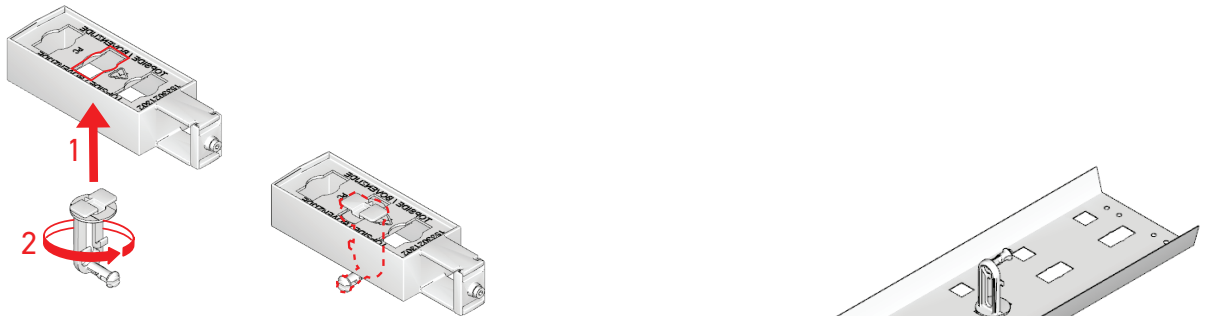
Install the cable tray (optional)



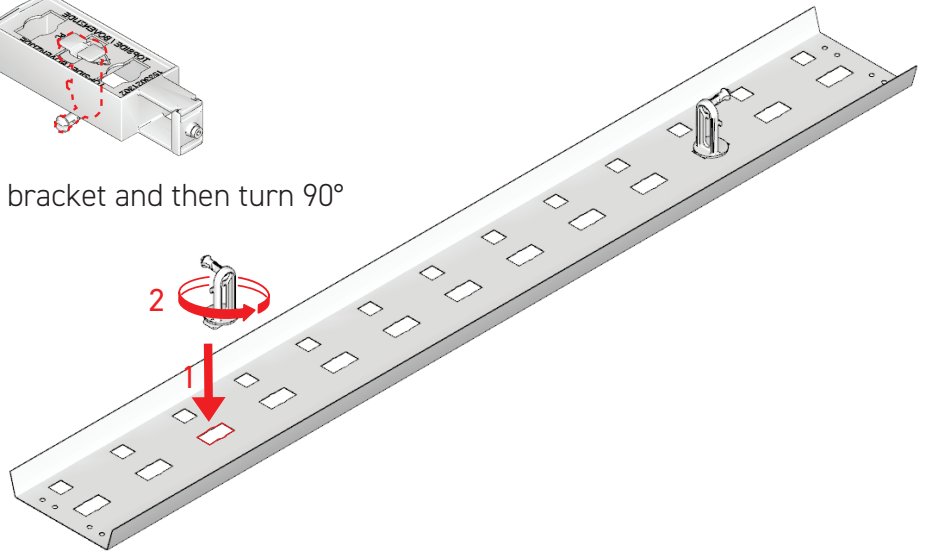
Fount Installation Manual

13

Assemble the cable tray and the bracket



Insert plastic hook into the hole of bracket and then turn 90°



Insert plastic hook into the hole of cable tray and then turn 90°

14

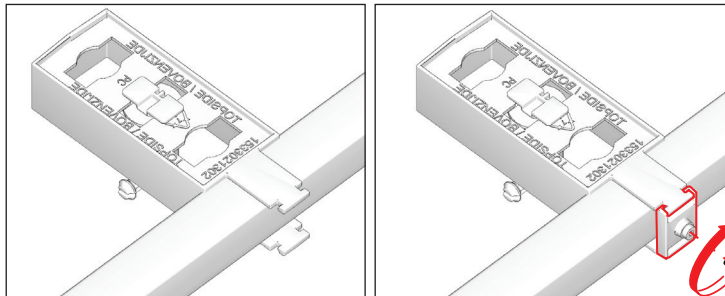
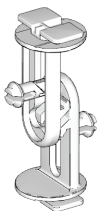
Fix the cable tray to the table beams



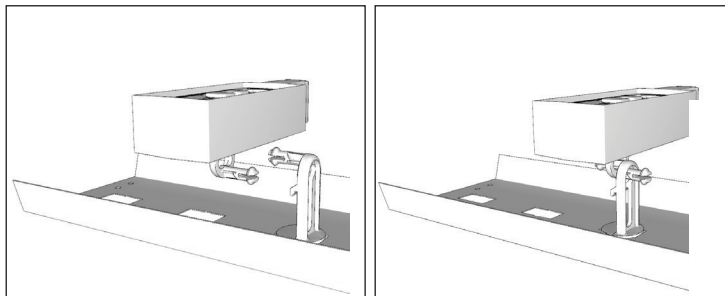
T40



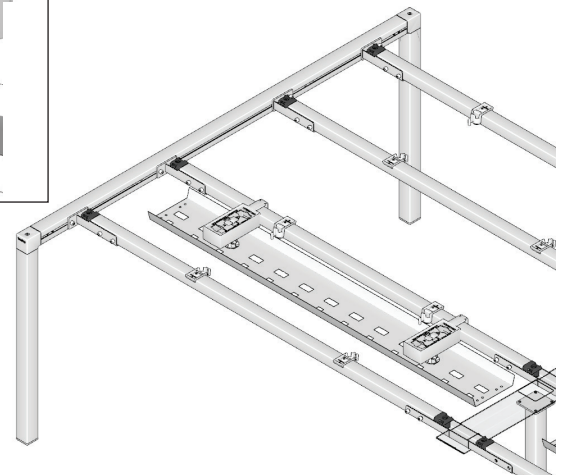
M6 x 16
DIN 7500C
(2 pcs)



Fix the bracket to the table beams



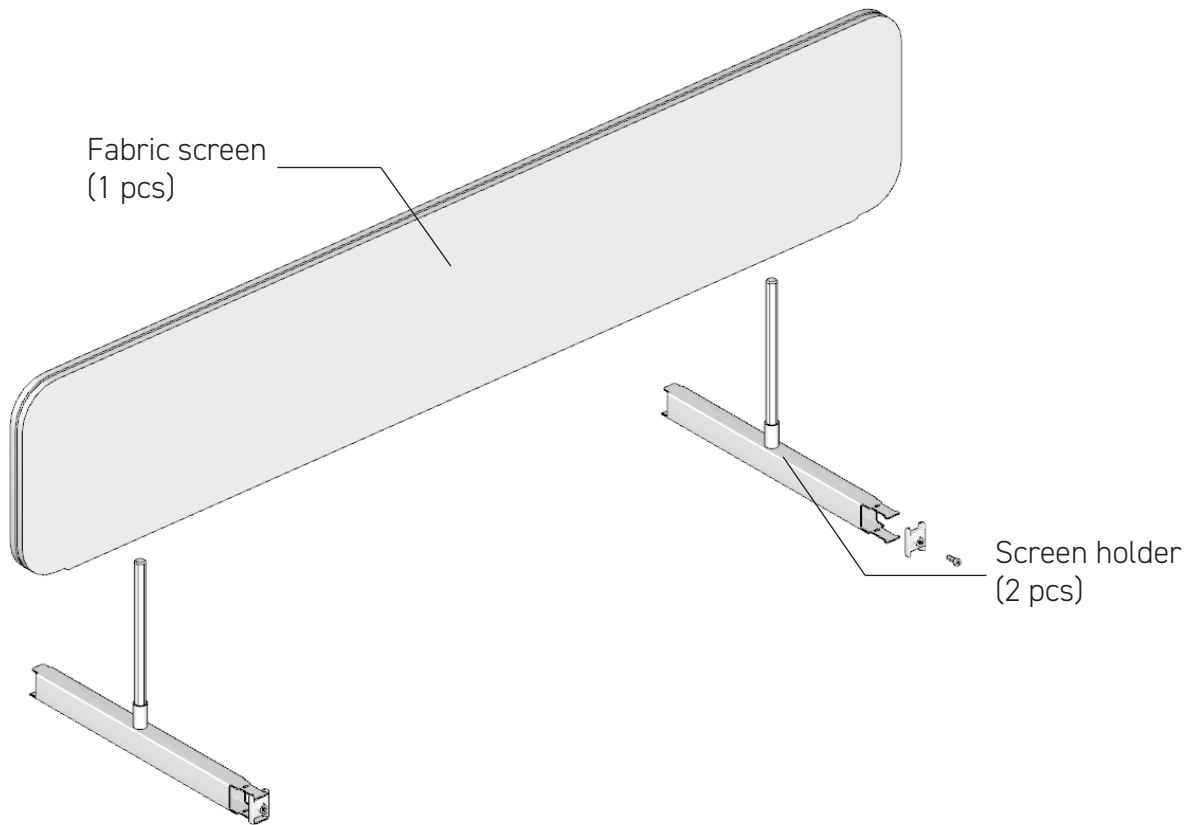
Hang the cable tray on the bracket



Fount Installation Manual

15

Install the screen (optional)



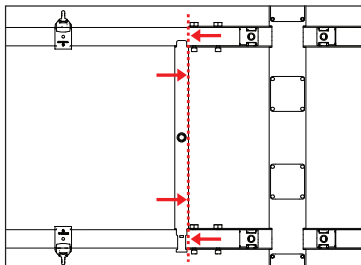
16

Fix the screen to the table beams

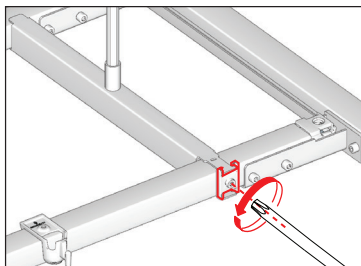


M6 x 16
DIN 7500C
(2 pcs)

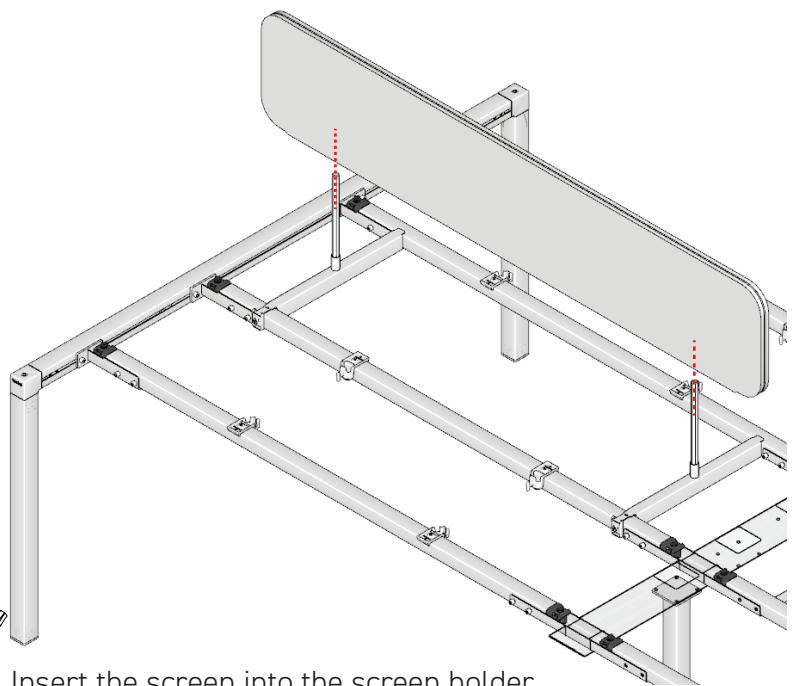
Two M6 x 16 DIN 7500C screws are shown, which are used to secure the screen holder brackets to the table beams.



Screen holder brackets are aligned to the U brackets (from the legs).

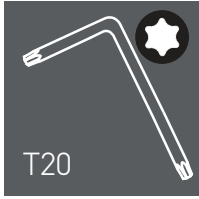


Fix the screen holder to the table beams.

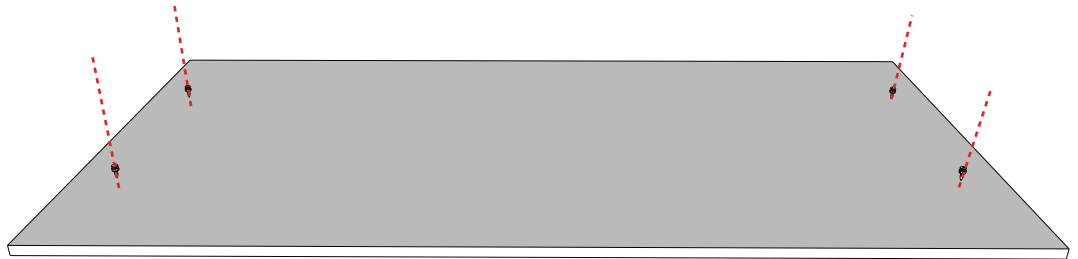
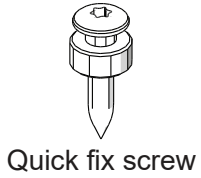


Fount Installation Manual

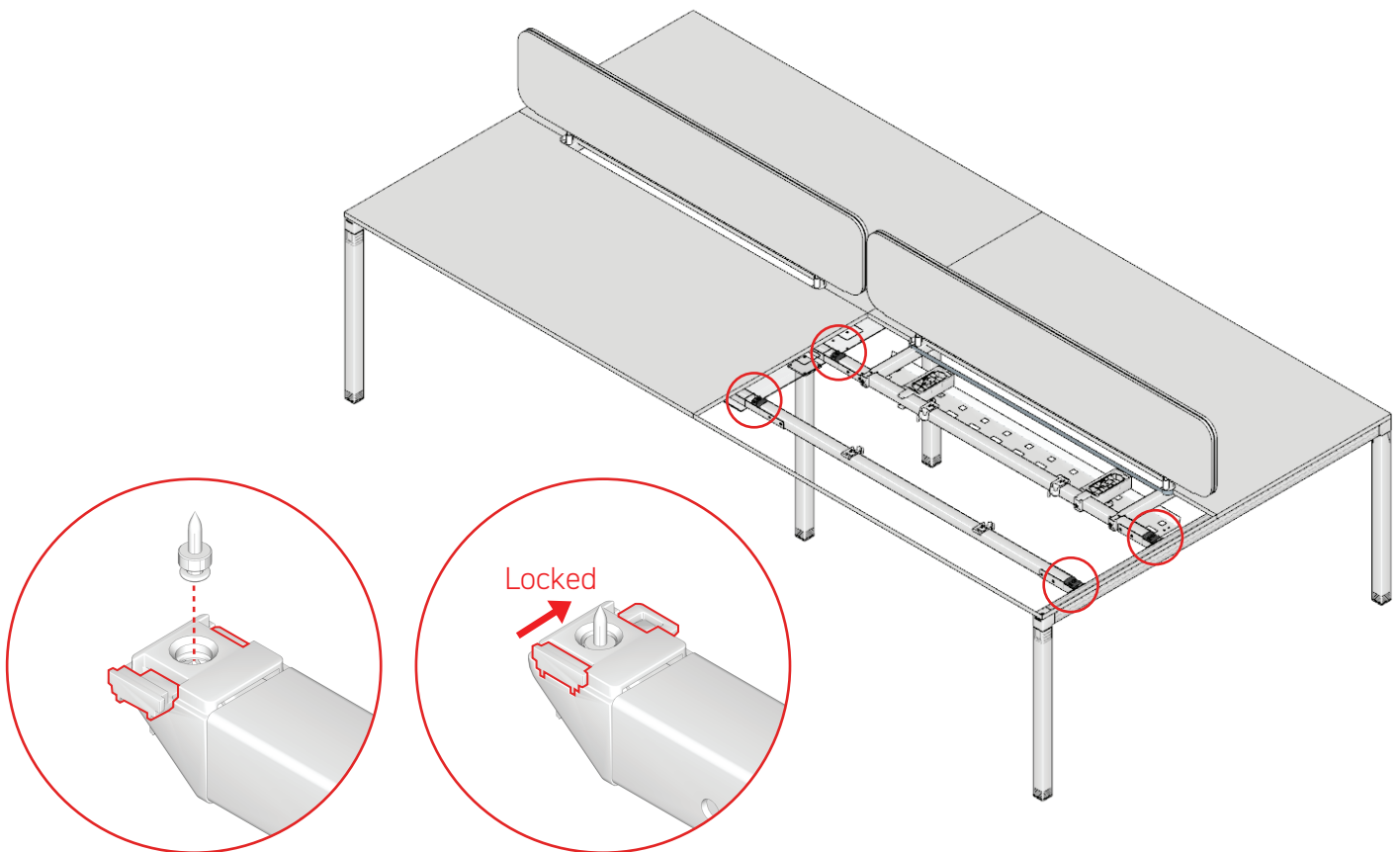
17 Find the correct pre-drilled holes of the tabletops, install the screws for Quick fix



For sliding top follow the steps from point 19 to point 24 on page 11



18 Connect the tabletops to the frame structure by Quick fix

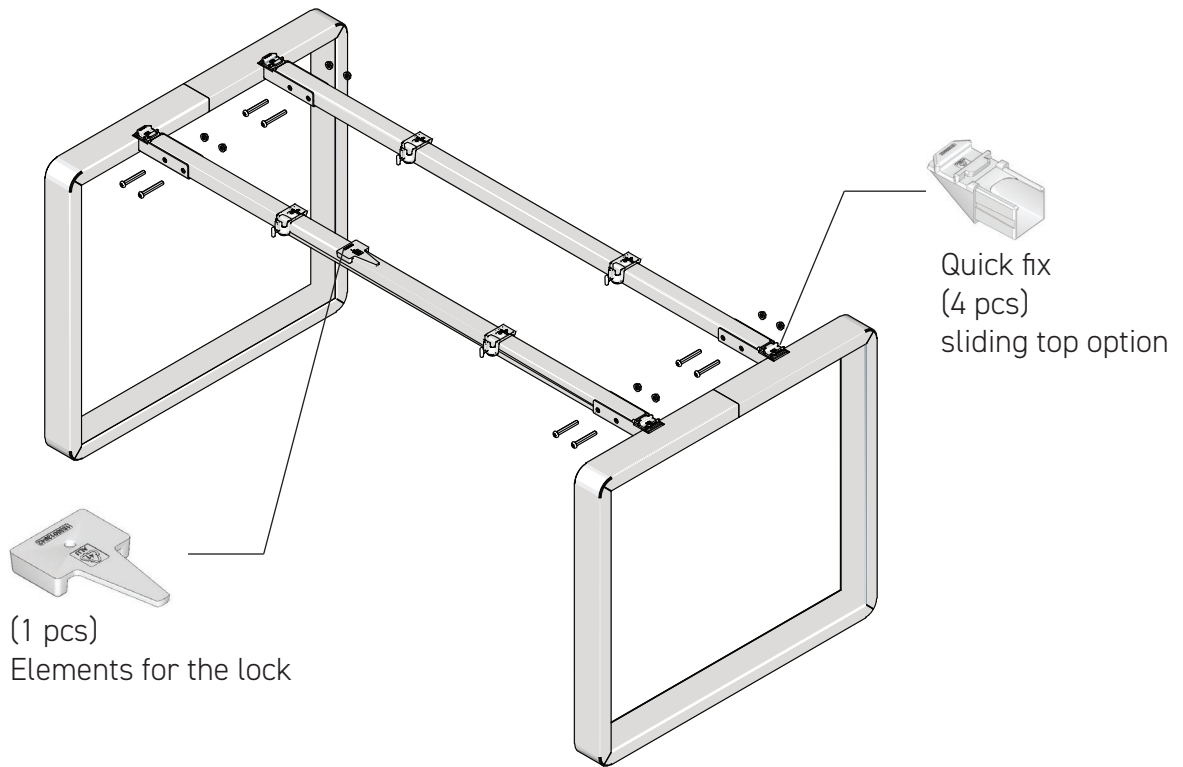


Quick fix screws are mounted into the pre-drilled holes in the desk top and then putted into the quick fix. Than locked.

Fount Installation Manual

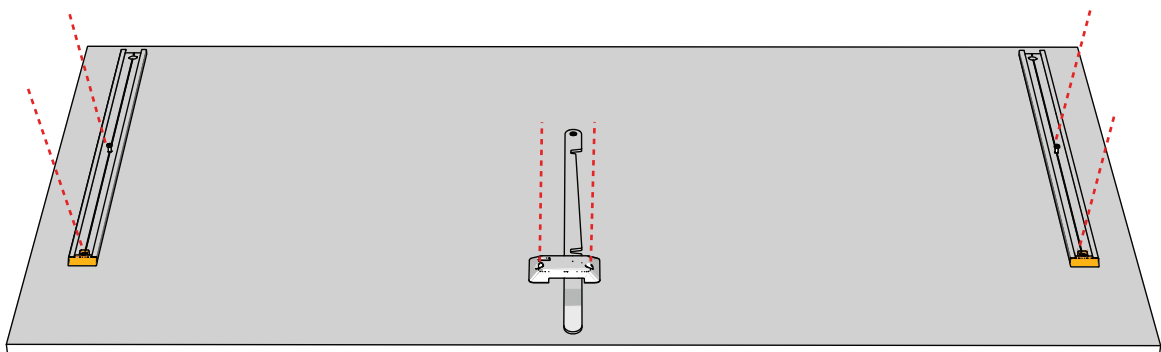
19

The installation of the sliding top (optional)



20

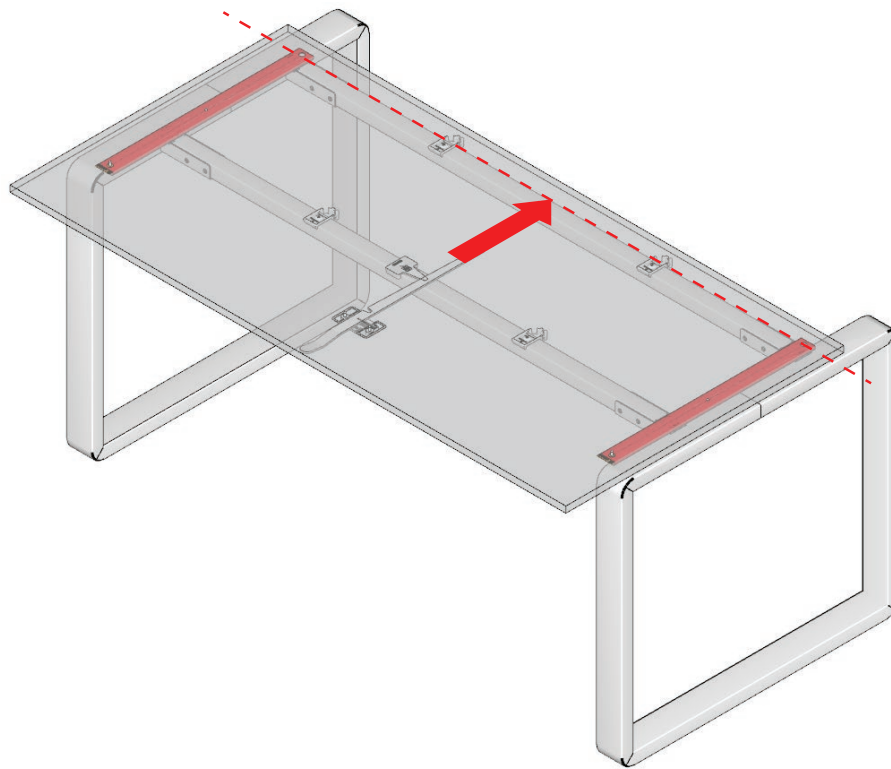
Find the correct pre-drilled holes, install two guidances and elements for the lock



Fount Installation Manual

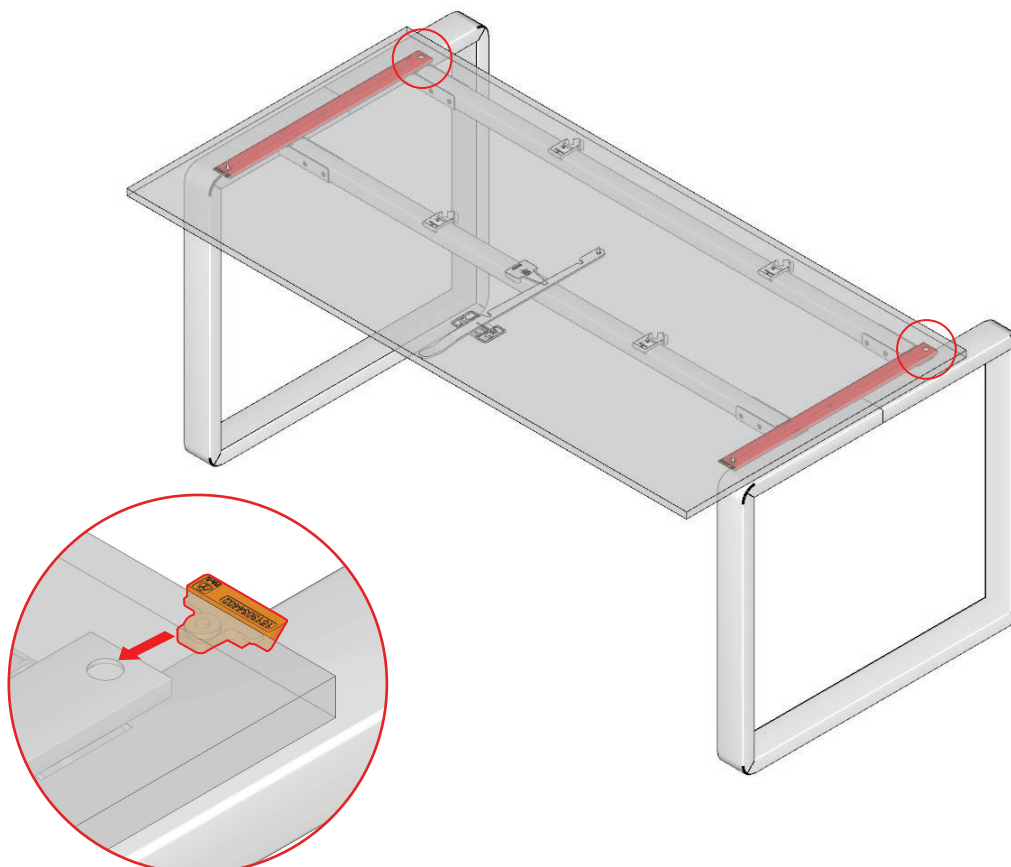
21

Slide the table top until the end of the stroke



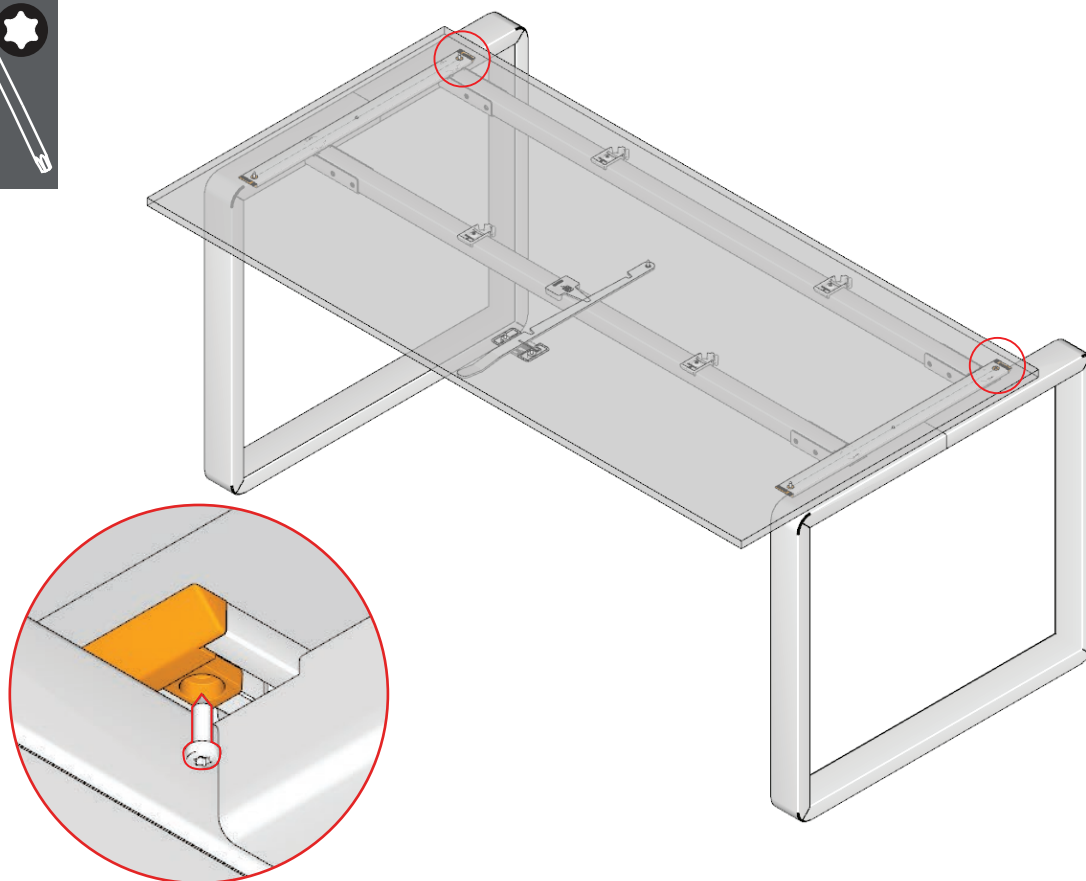
22

Place the end cap

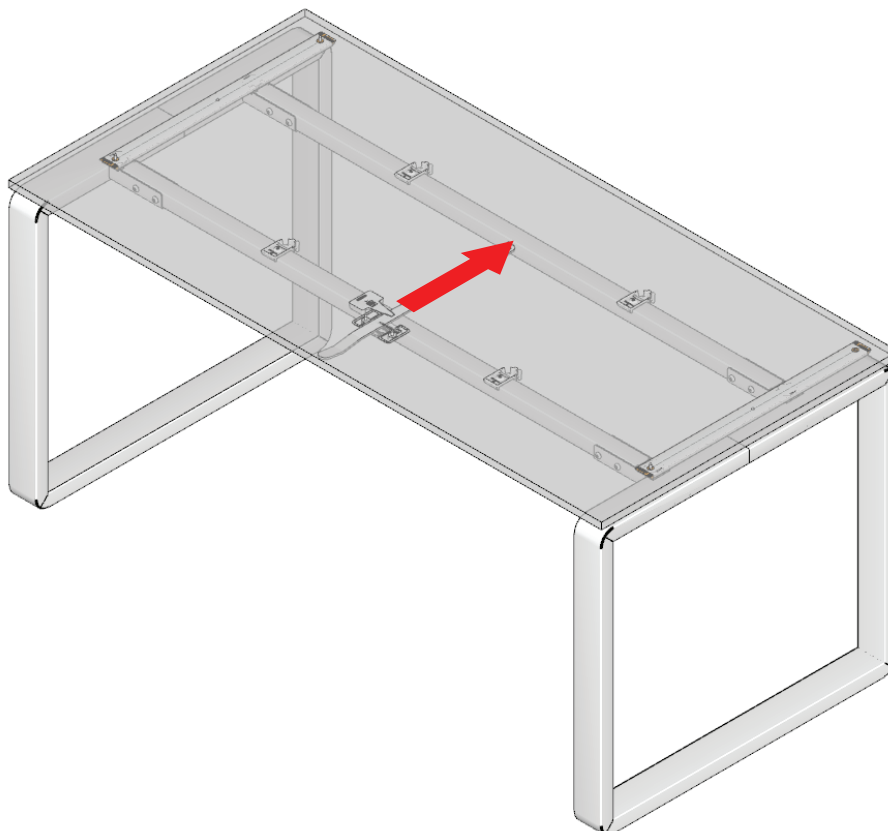


Fount Installation Manual

23 Screw (oblique) the last screw with a hand screw driver, this can be a bit difficult.



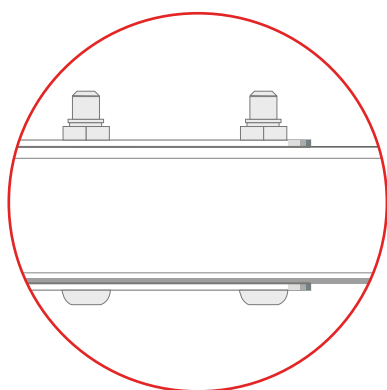
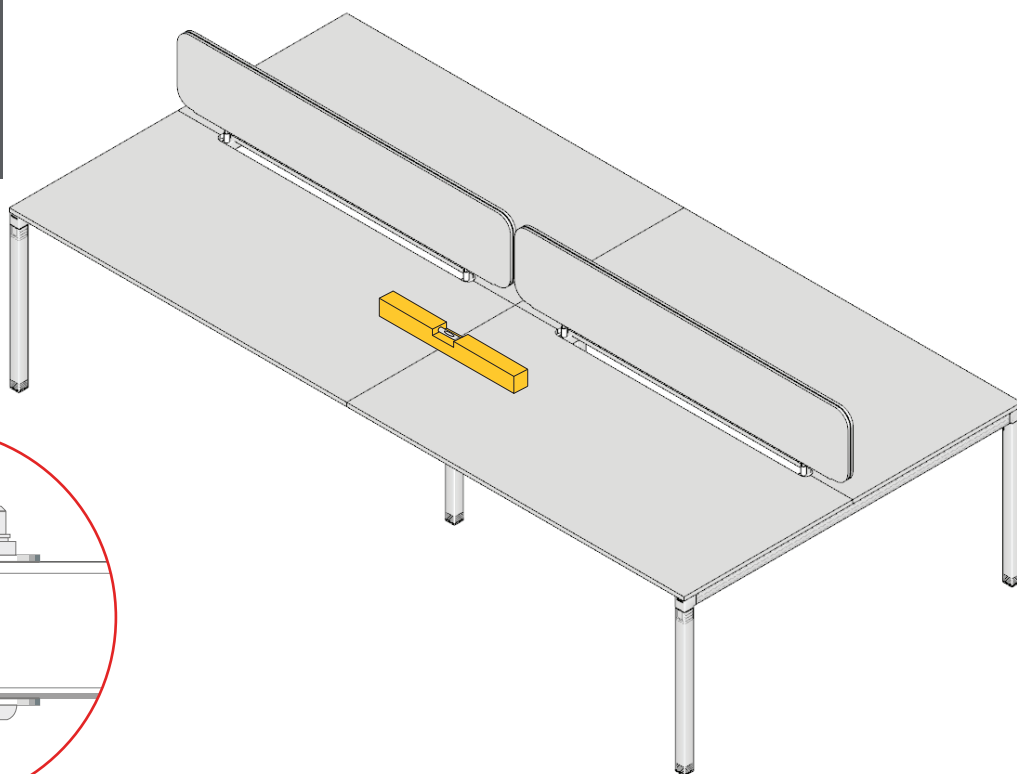
24 Slide the table top into place



Fount Installation Manual

25

Align the table tops, and finally fix the screws in the middle legs



Fix the screws in the middle legs

26

Finish

