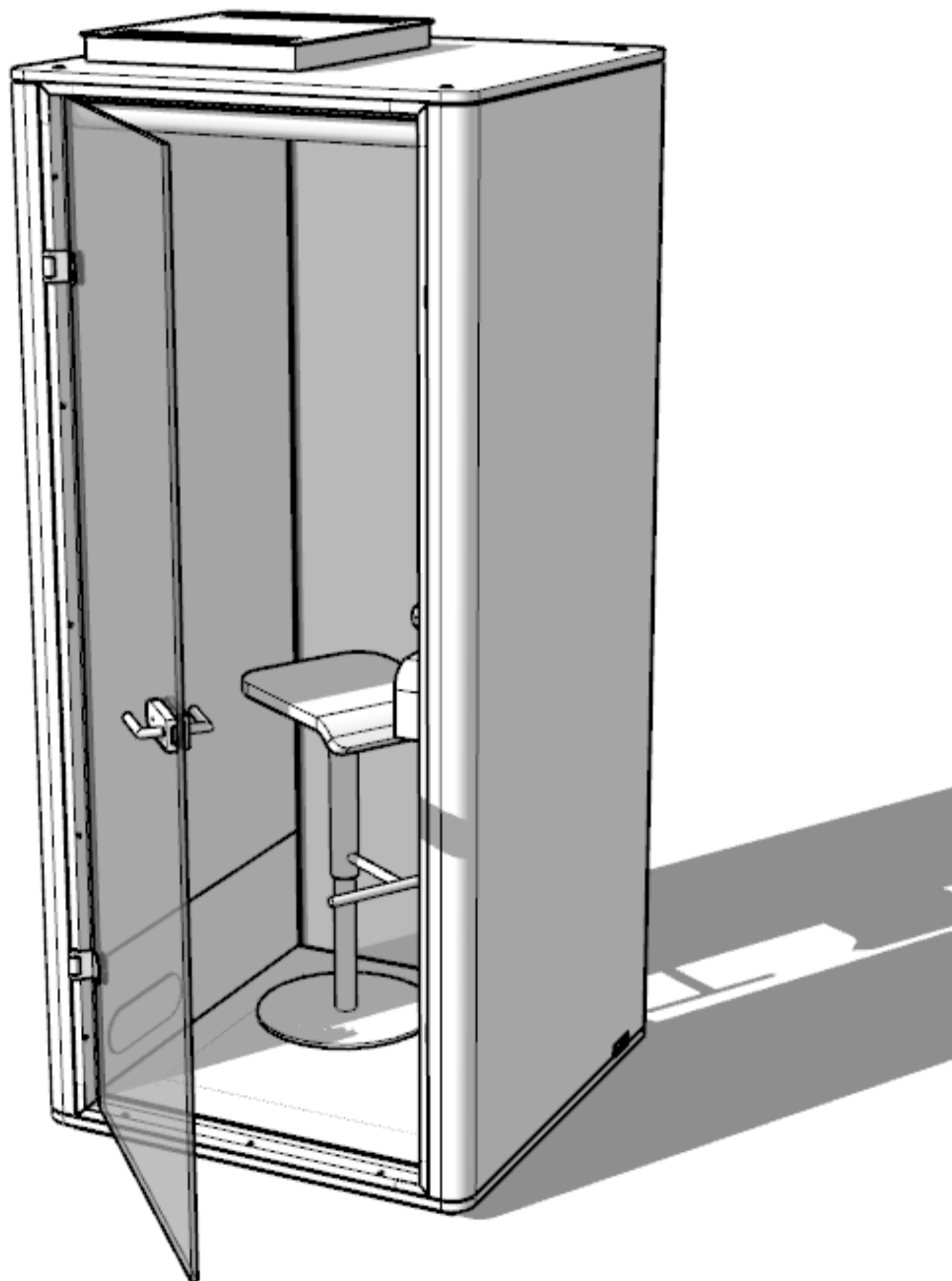
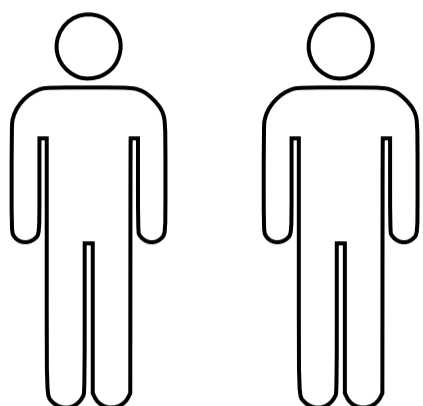


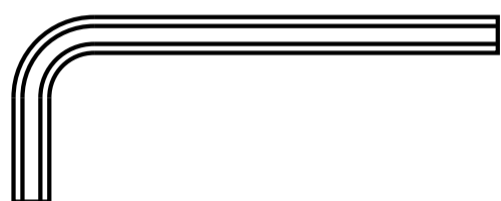
Manual Silence Call 2.0



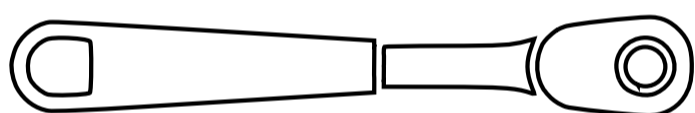
Tools



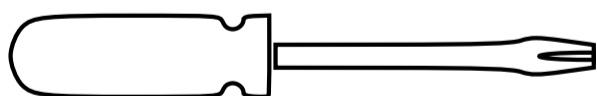
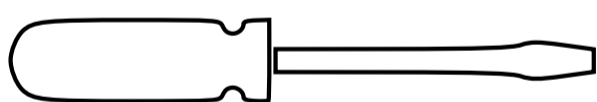
2 People



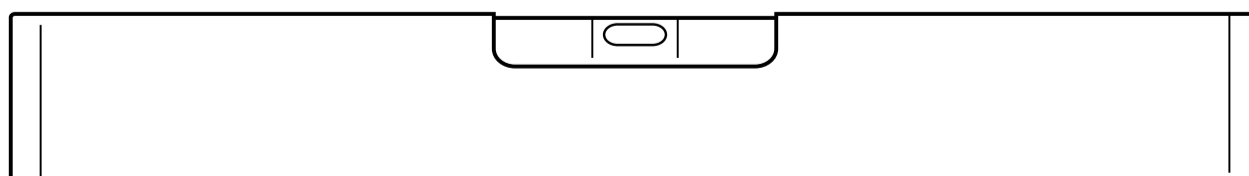
SW 3 / 4 / 5 / 6 / 8



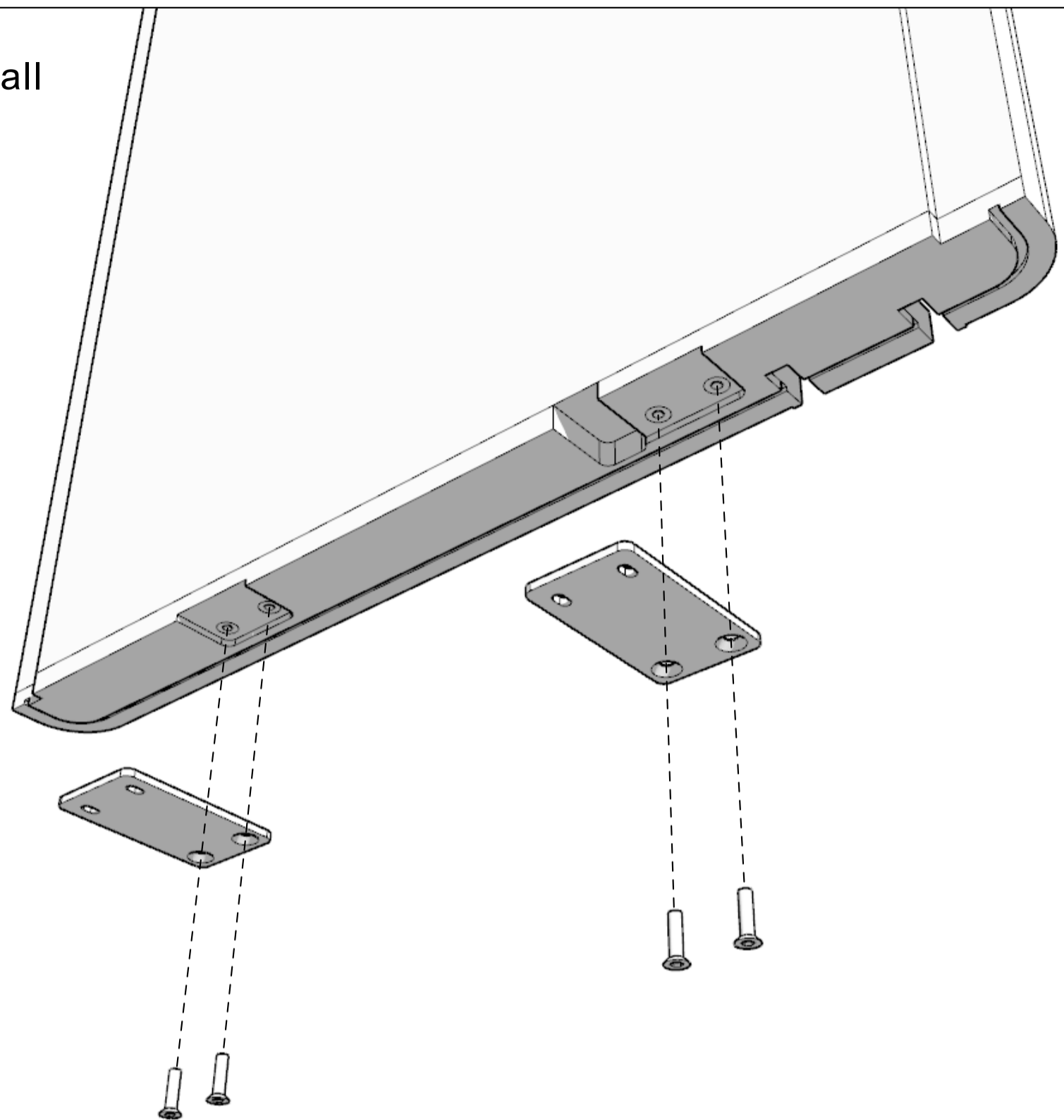
8 mm



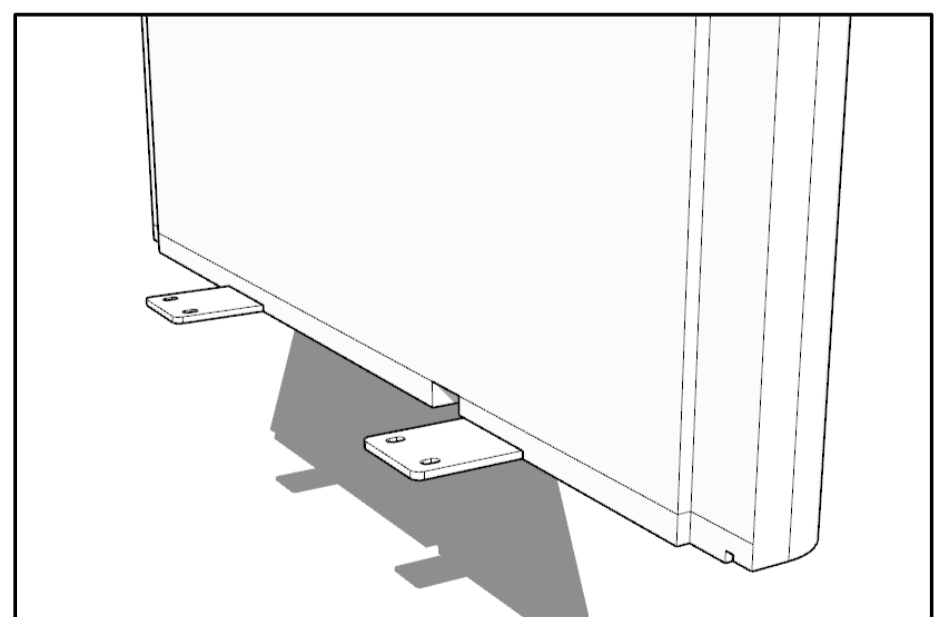
PH2



Pre assembly wall

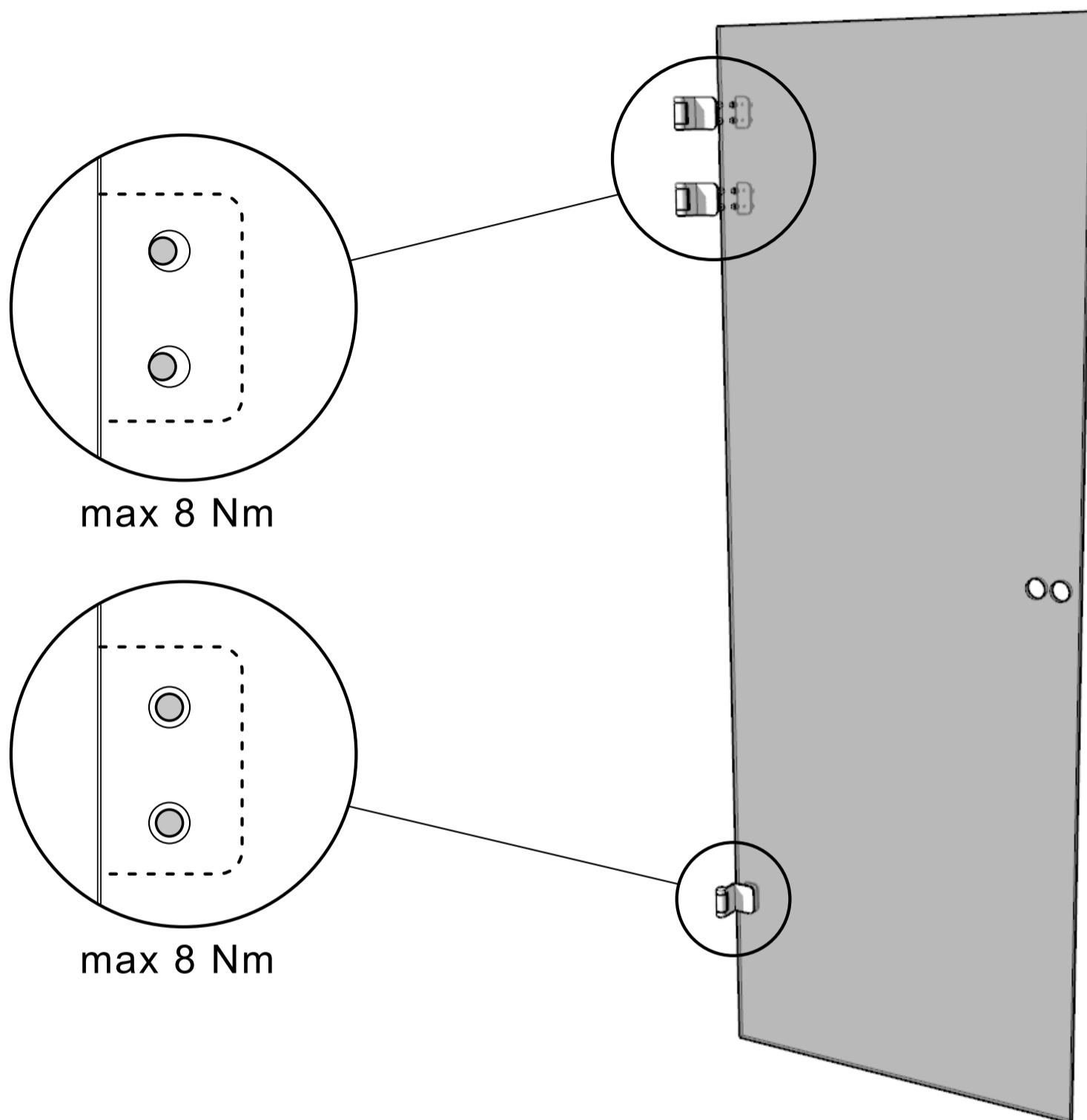


8 x M 10 x 20 Countersunk

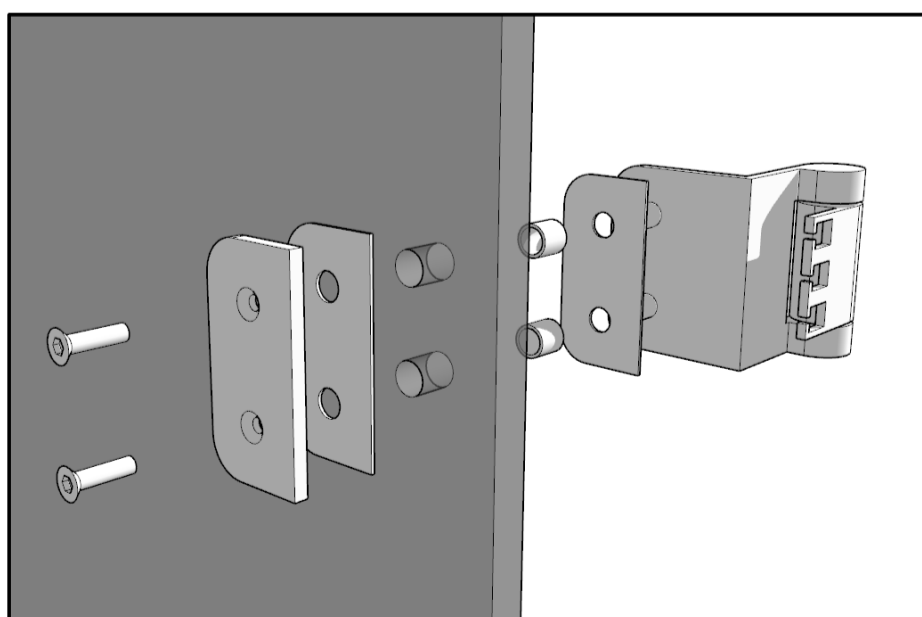


SW6

Assembly door hinges

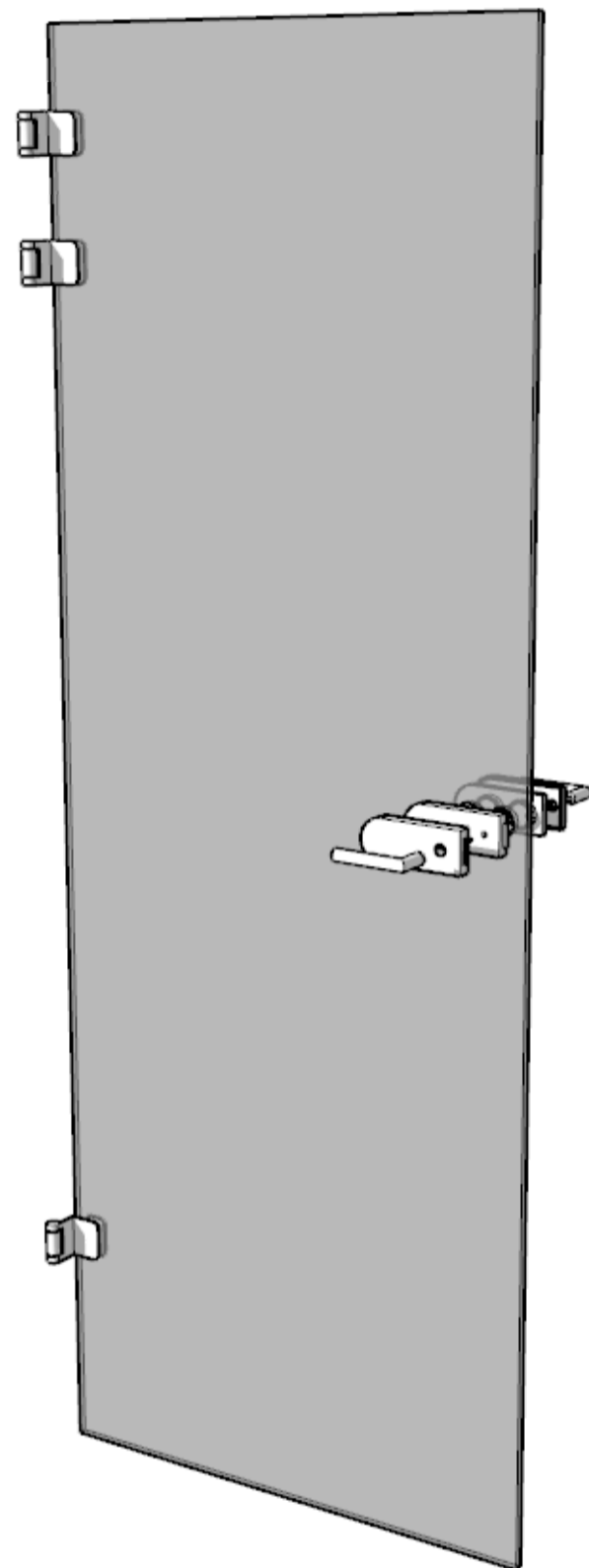


2 x M6 x 16 (do not use M6 x 14)



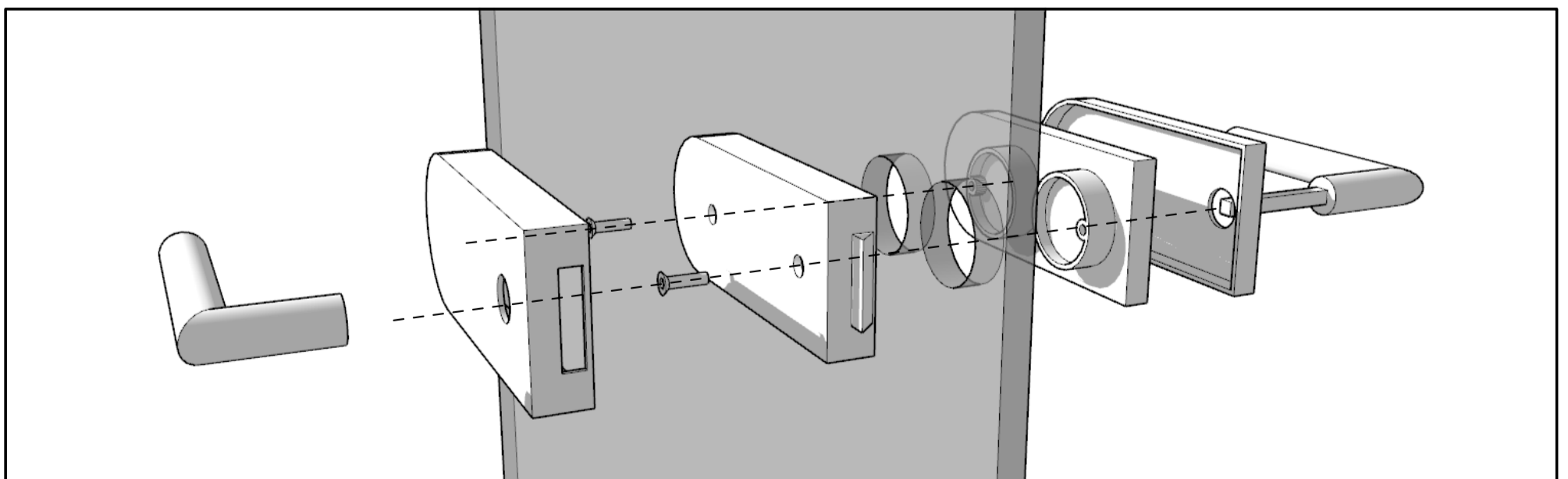
SW4

Assembly door handle



max 8 Nm

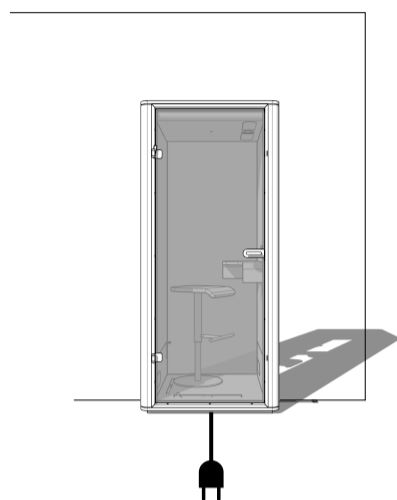
There is also a manual in the box



SW4

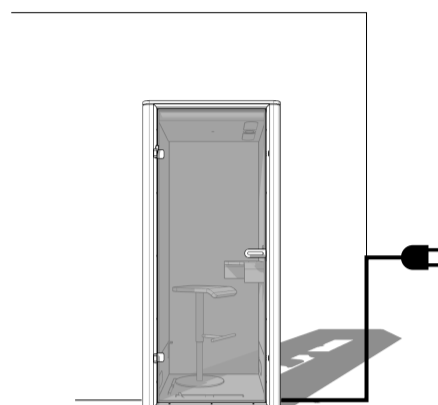
Position of the powersocket

If you do not use a socket positioned under the Call, continue on page 05.



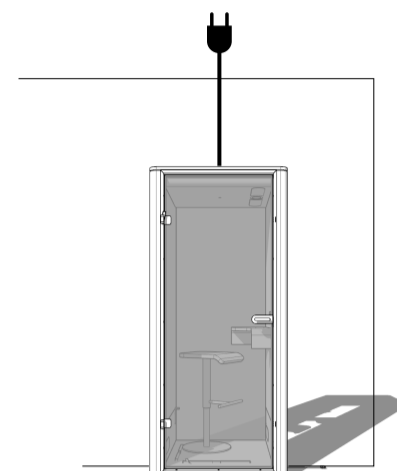
Power from floor

Finish this page



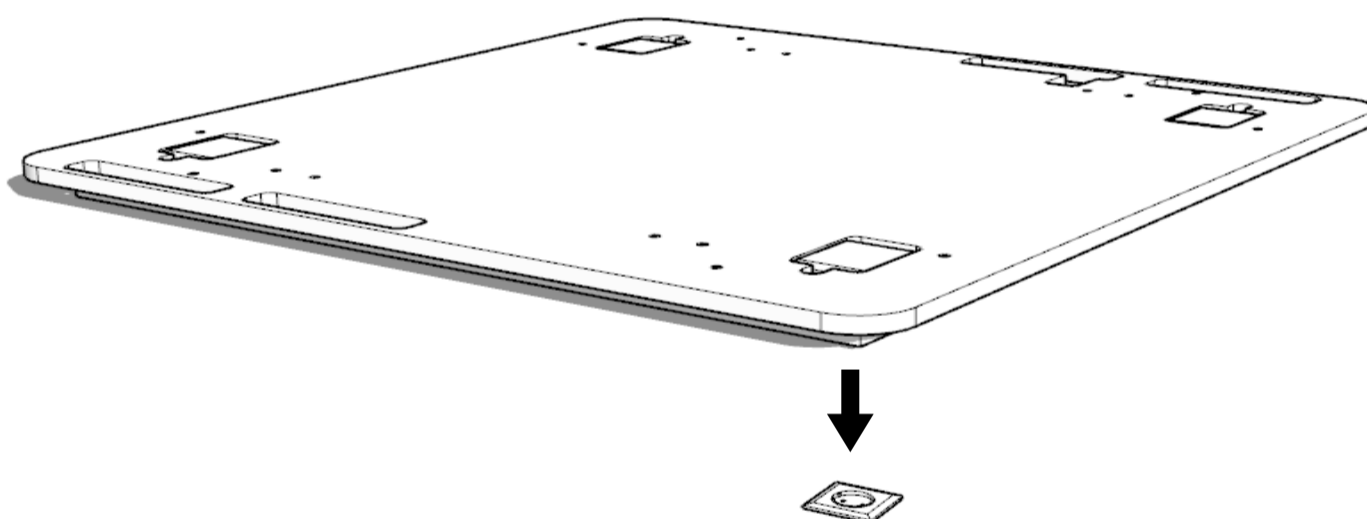
Power from wall

Page 05



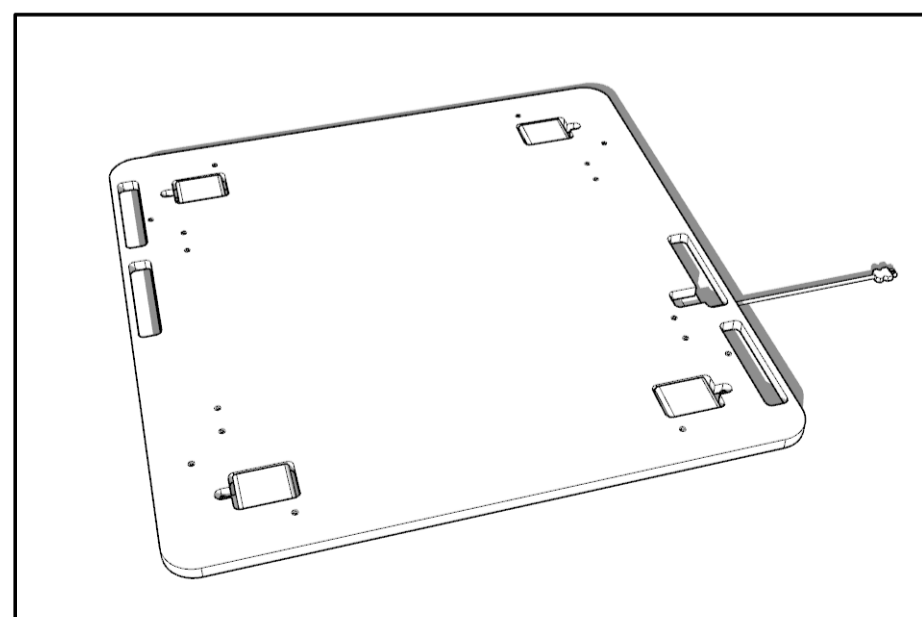
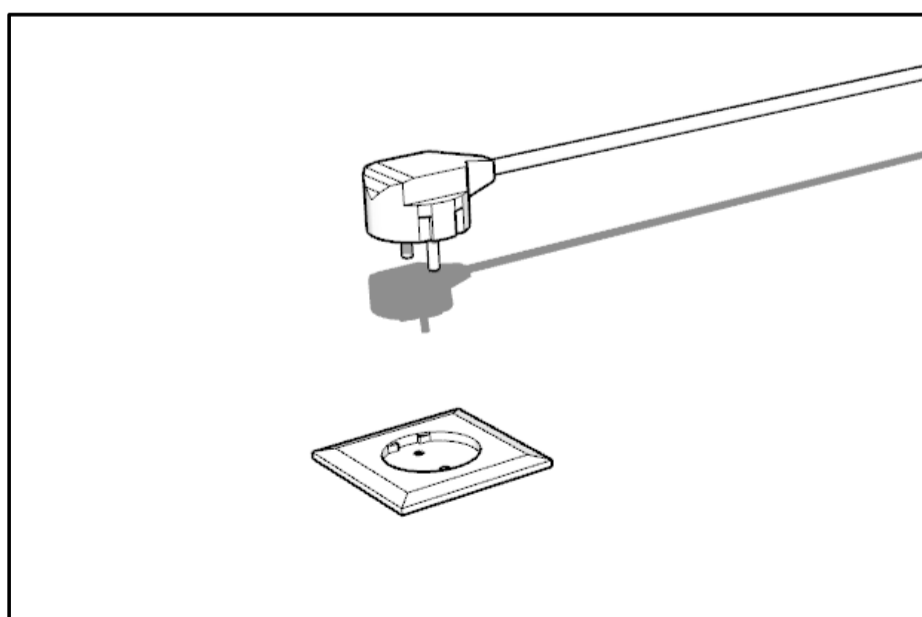
Power from ceiling

Page 05

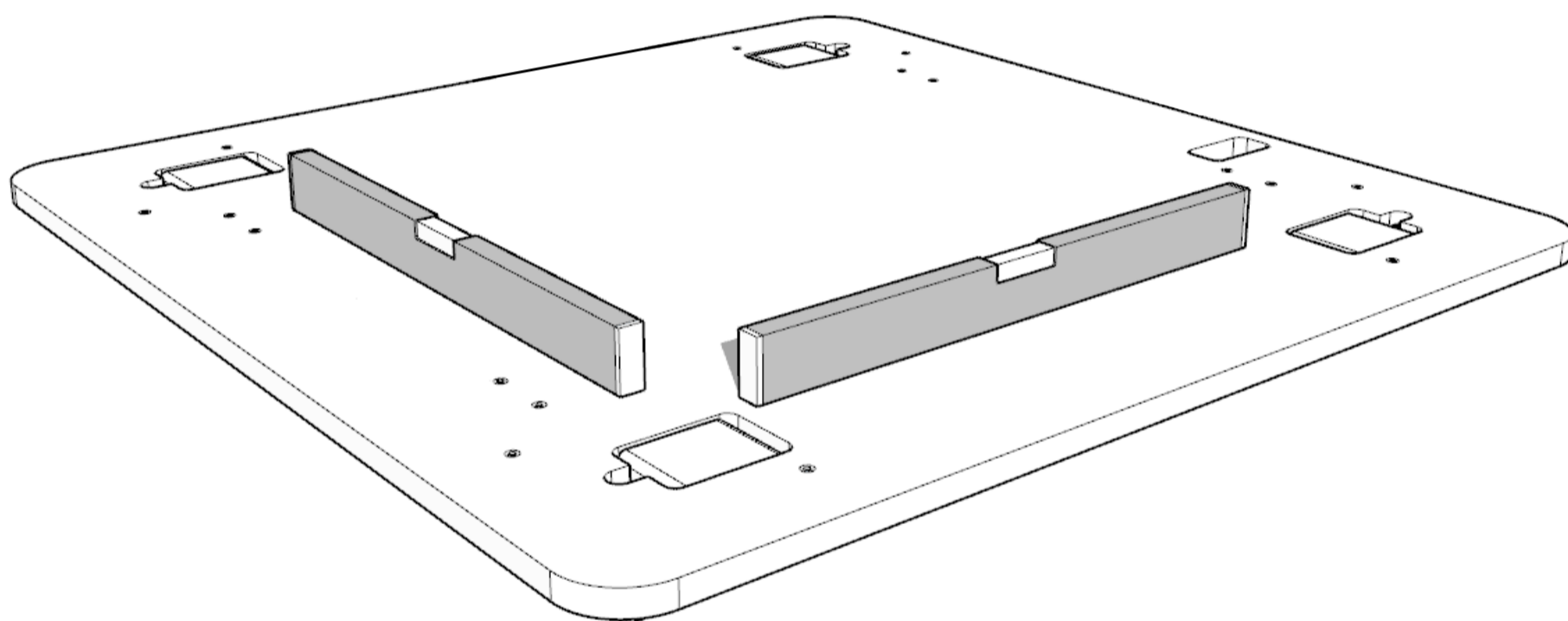
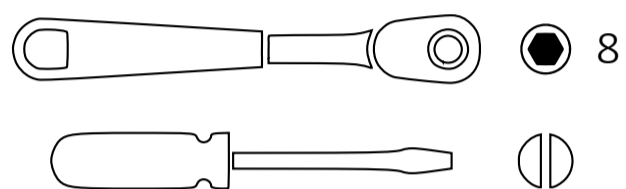
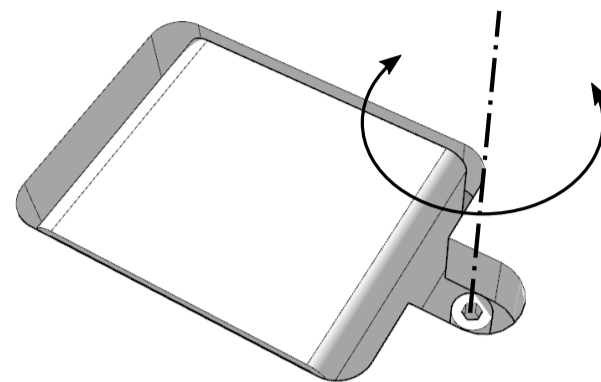


Powercable

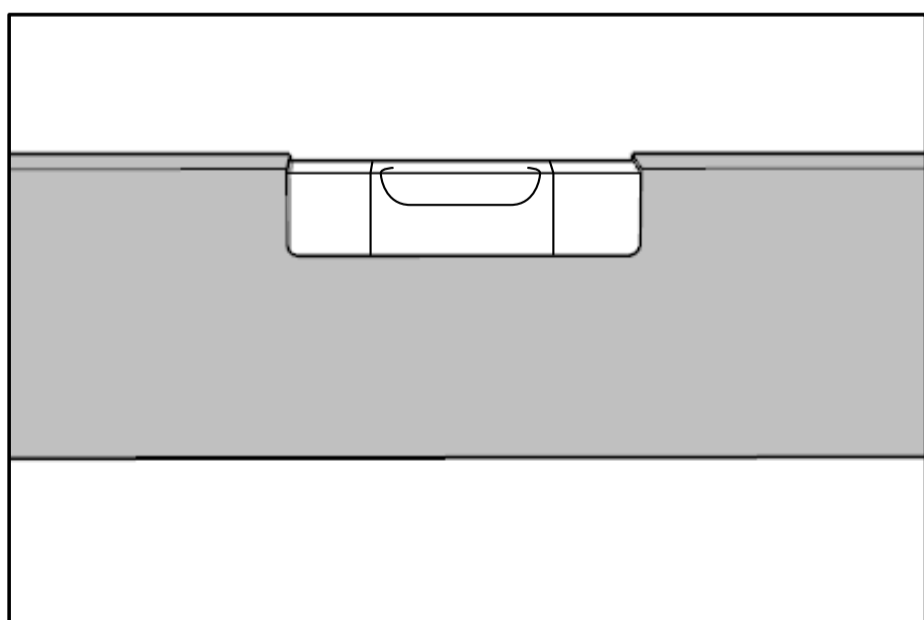
Place floor over socket!



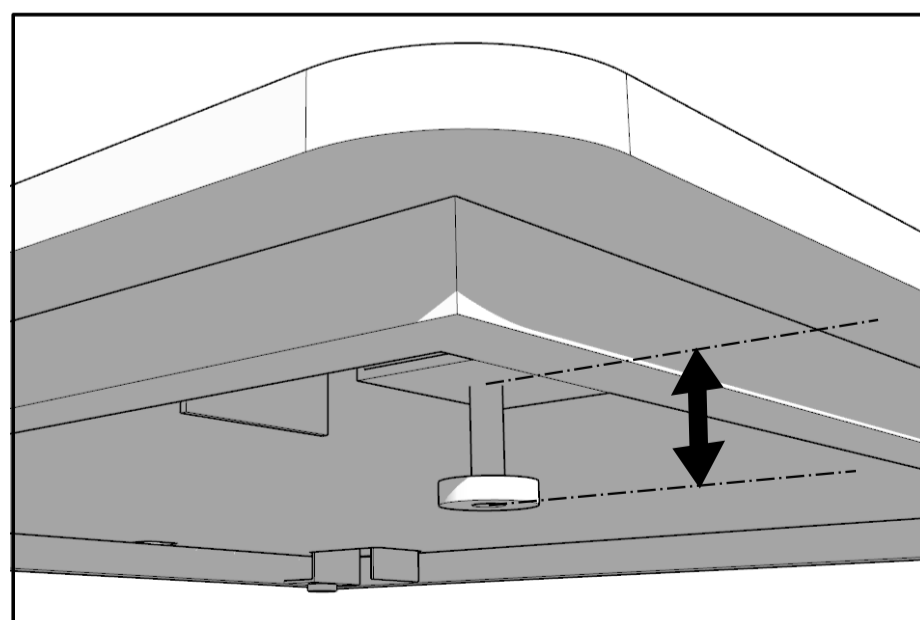
Adjust the floor



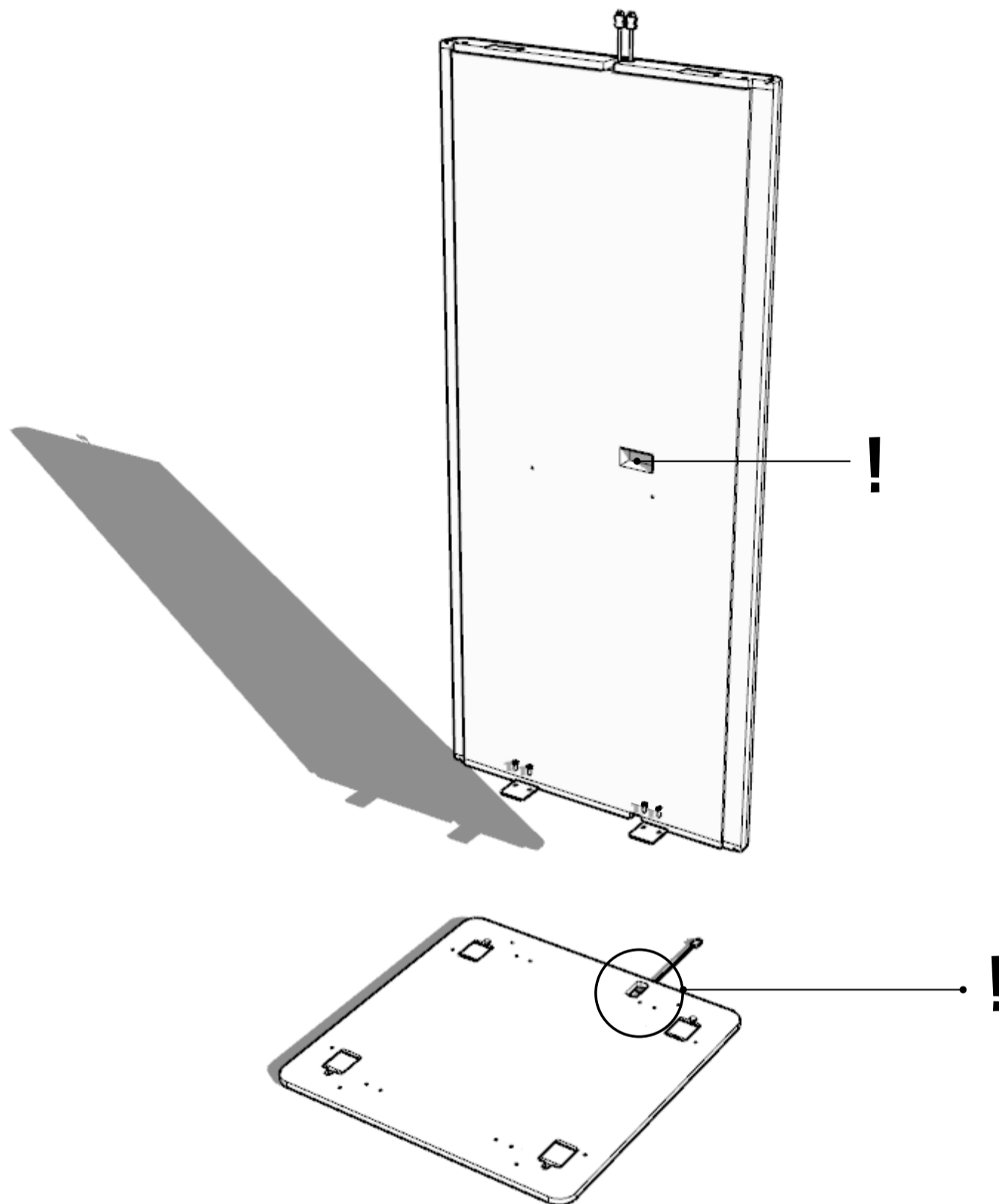
Make floor level



Make sure wheels are on the floor

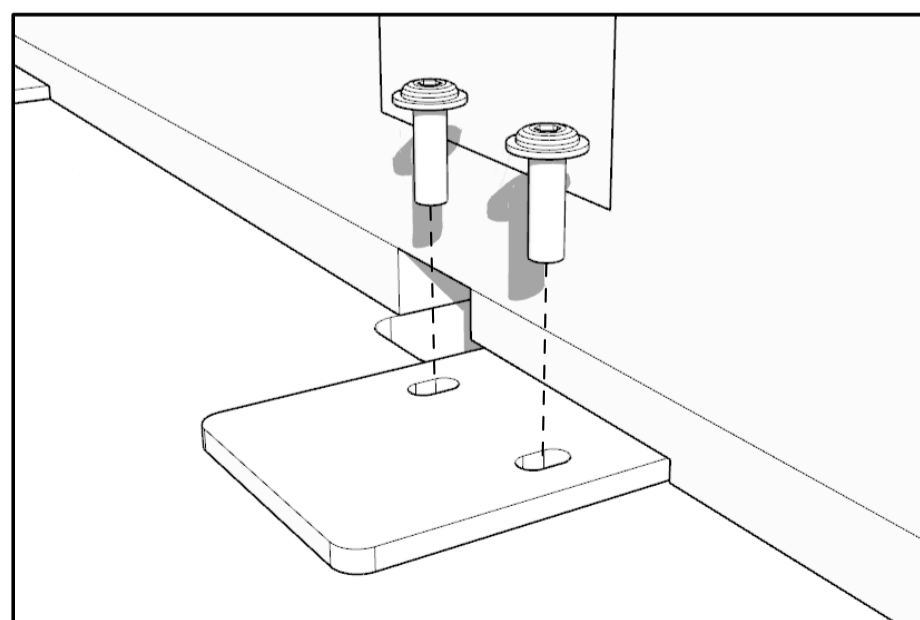
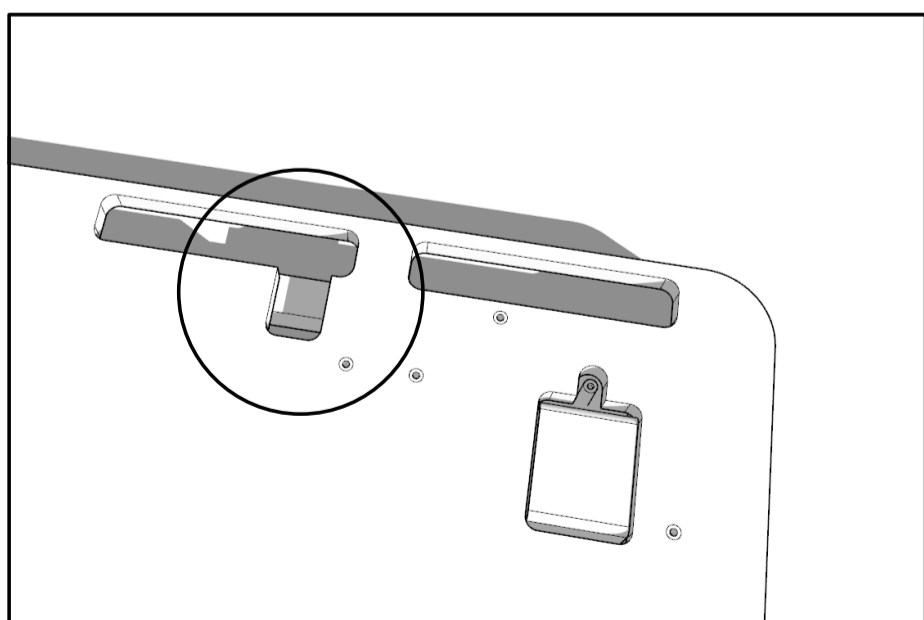


Place EKM wall on the floor



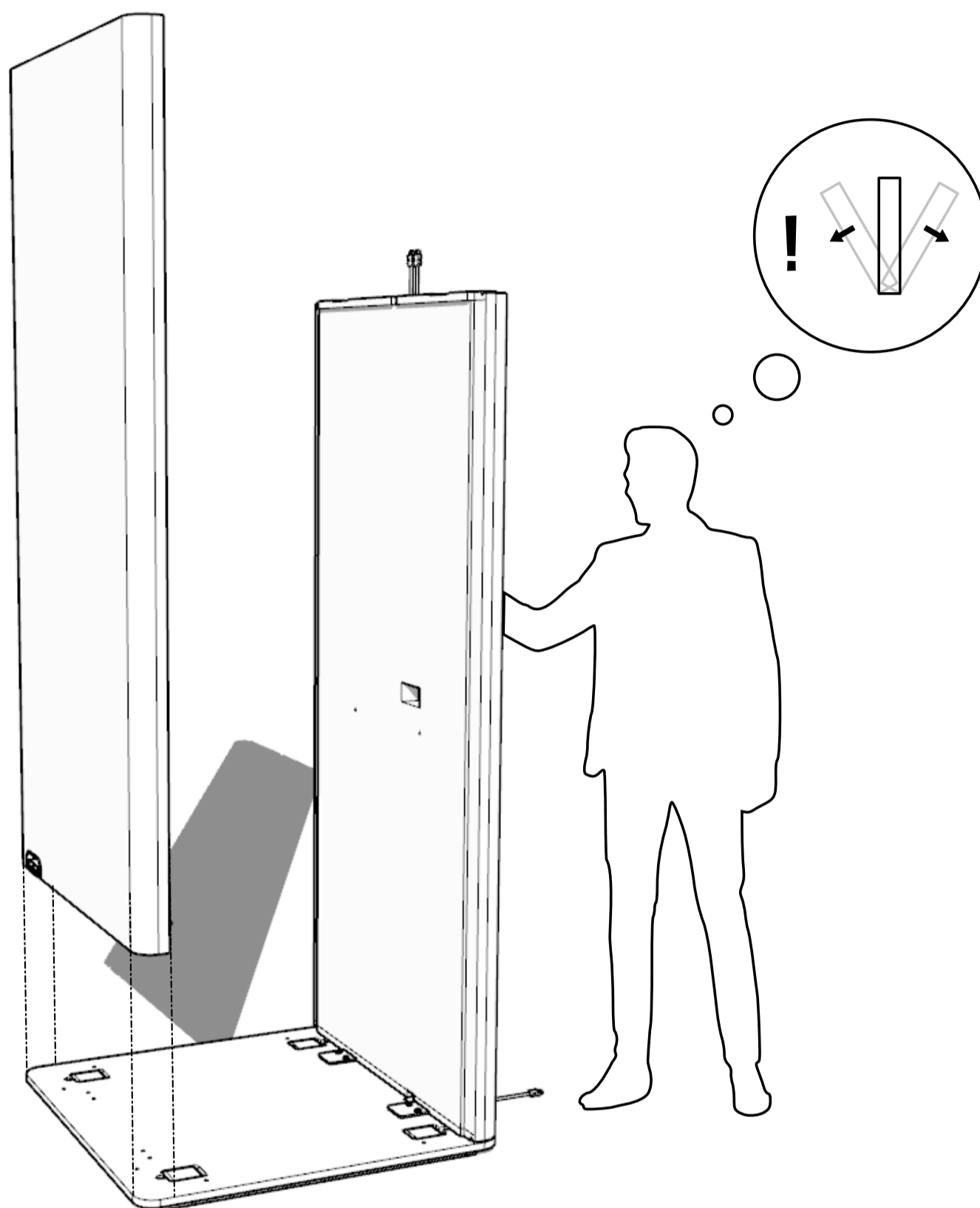
Opening floor!

4 x M8 x 25 Flathead

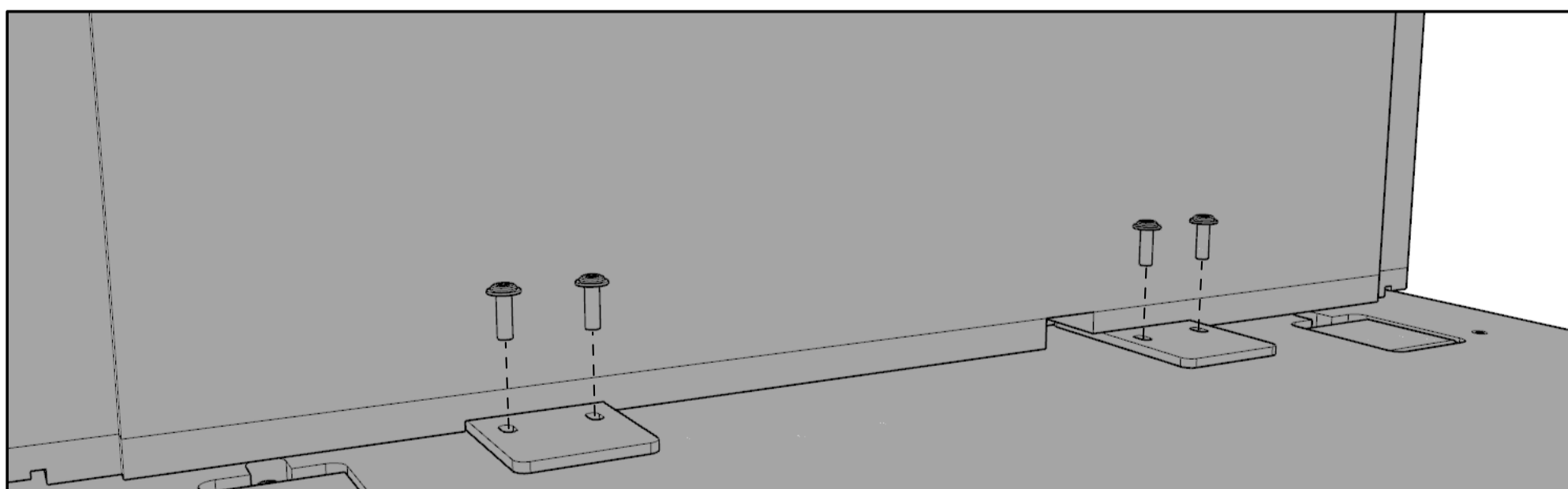


SW5

Place opposing wall on the floor

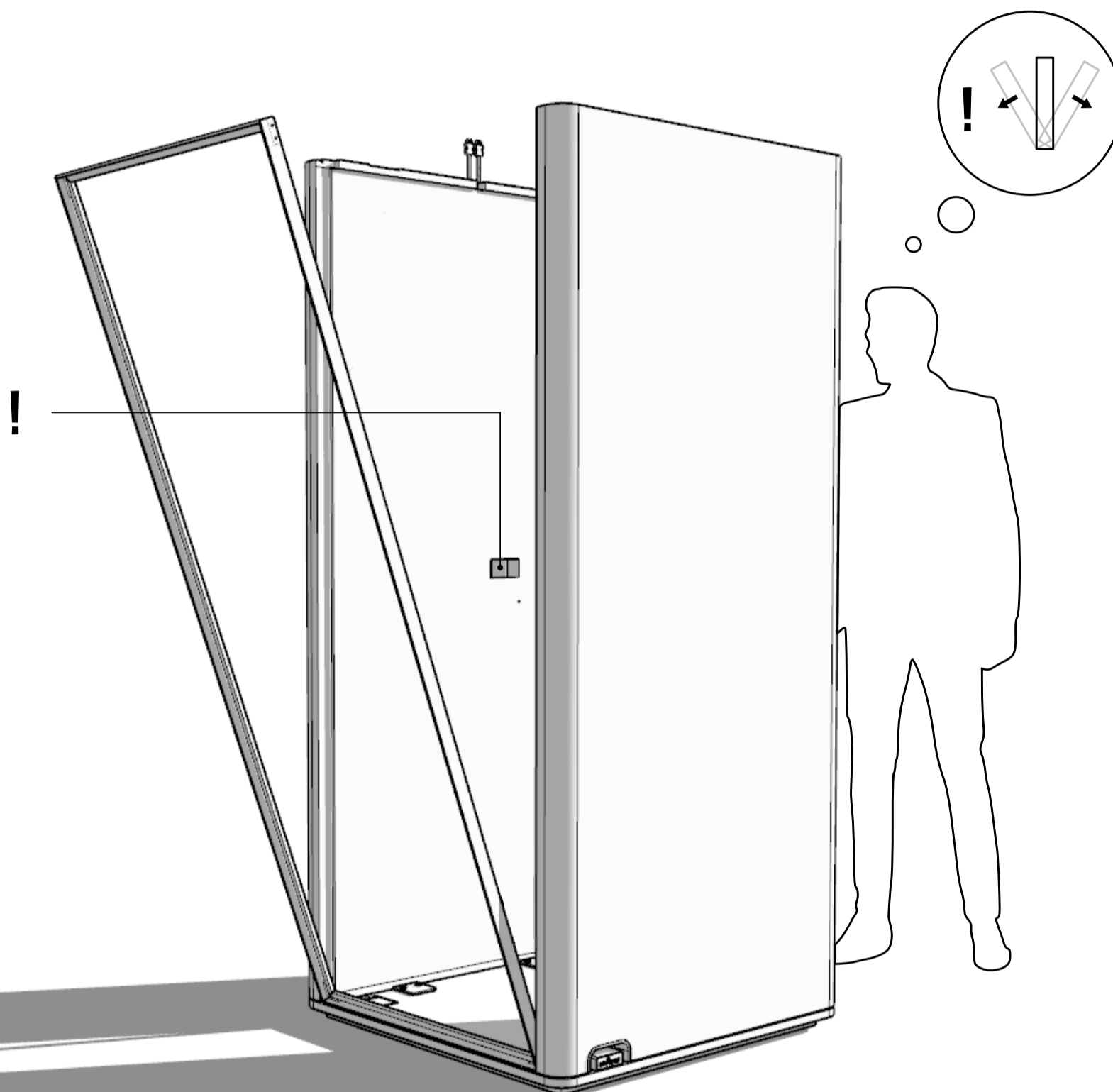


4 x M 8 x 25 Flathead

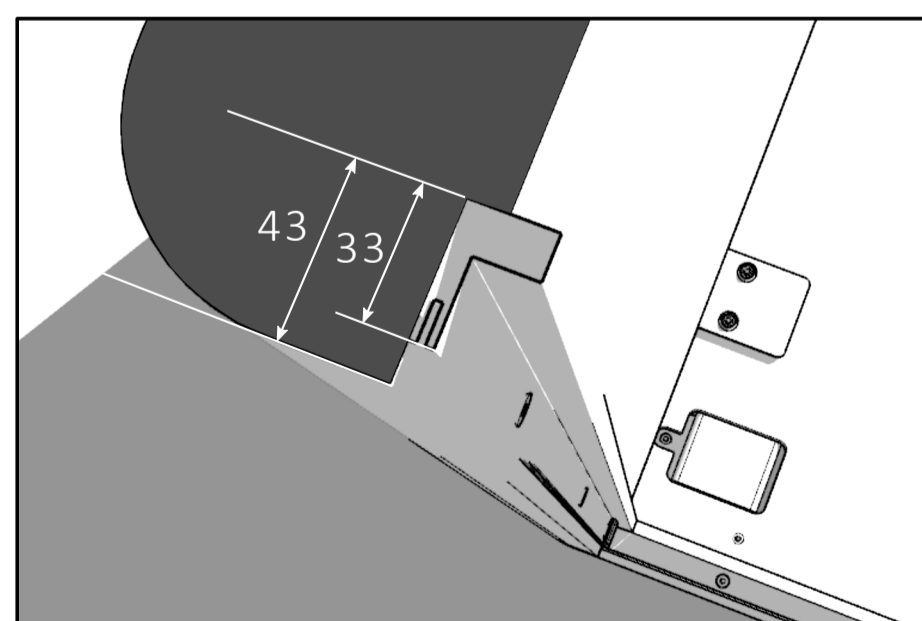


Place the window profile between the side panels

Make sure you position the glass profile at the rear!
Take notice of the position of the electric panel!

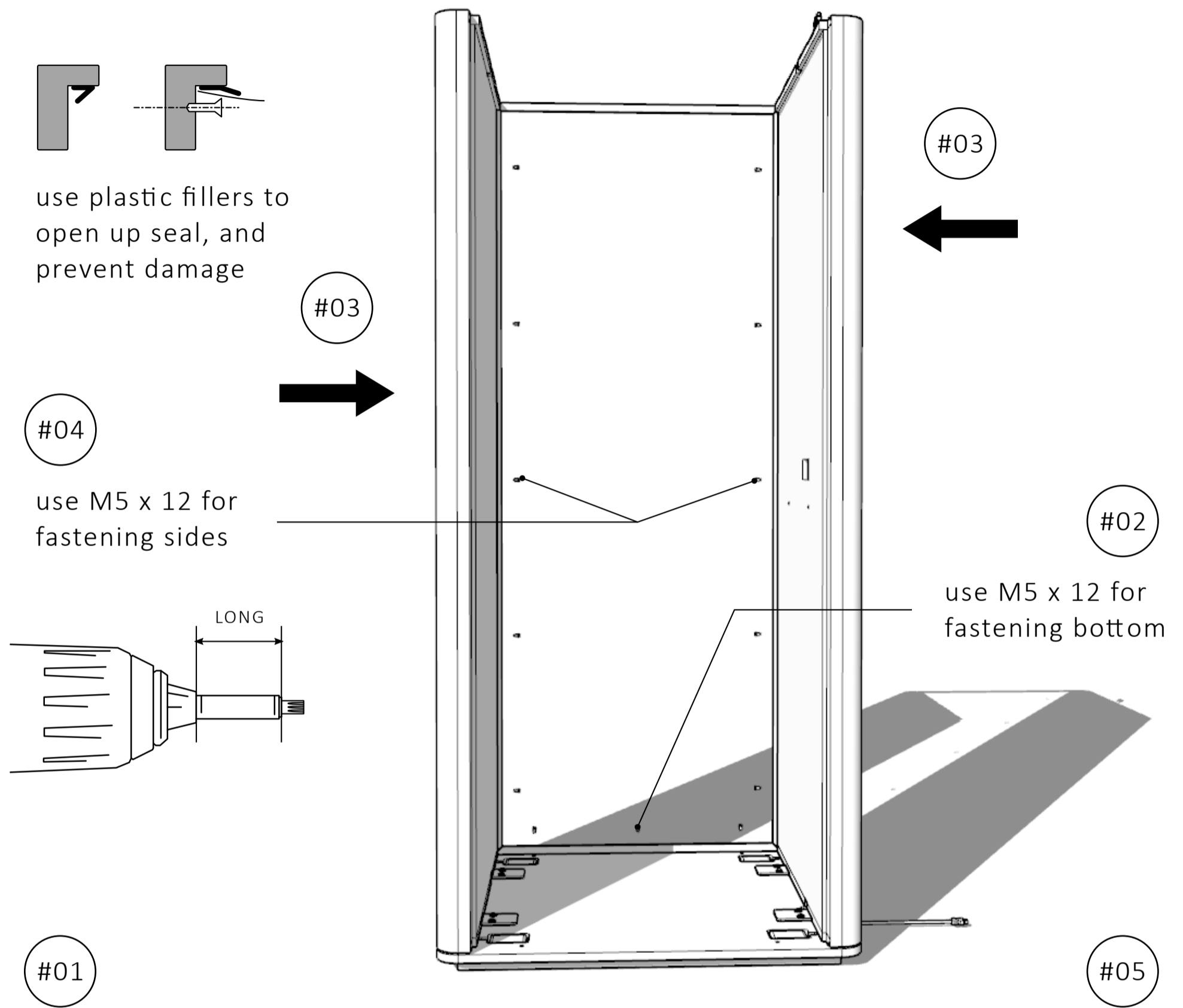


Use profile 33 x 22 mm



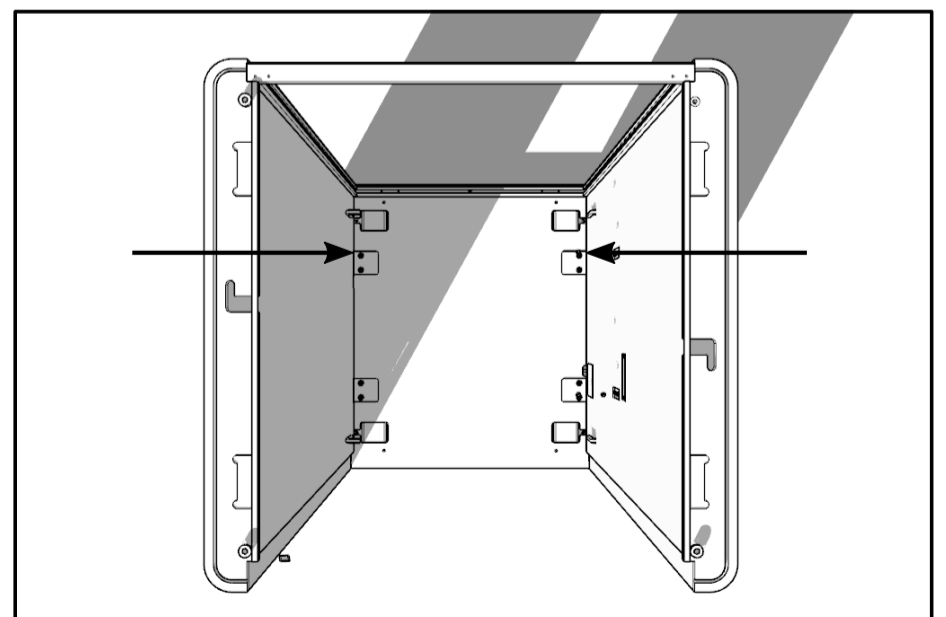
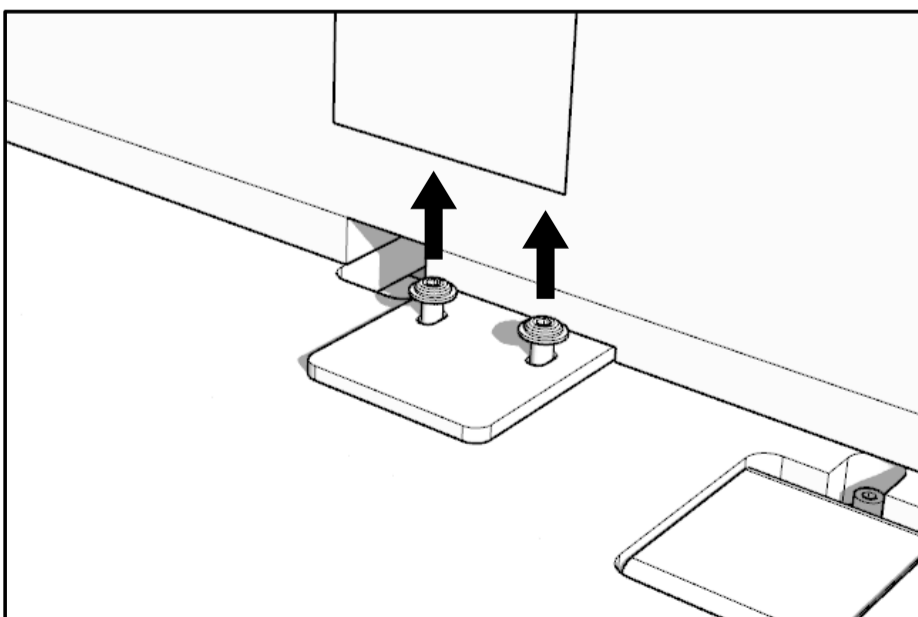
Make sure to place it in the corner

Install window profile to both floor and walls



#01 8 x Loosen bolts slightly

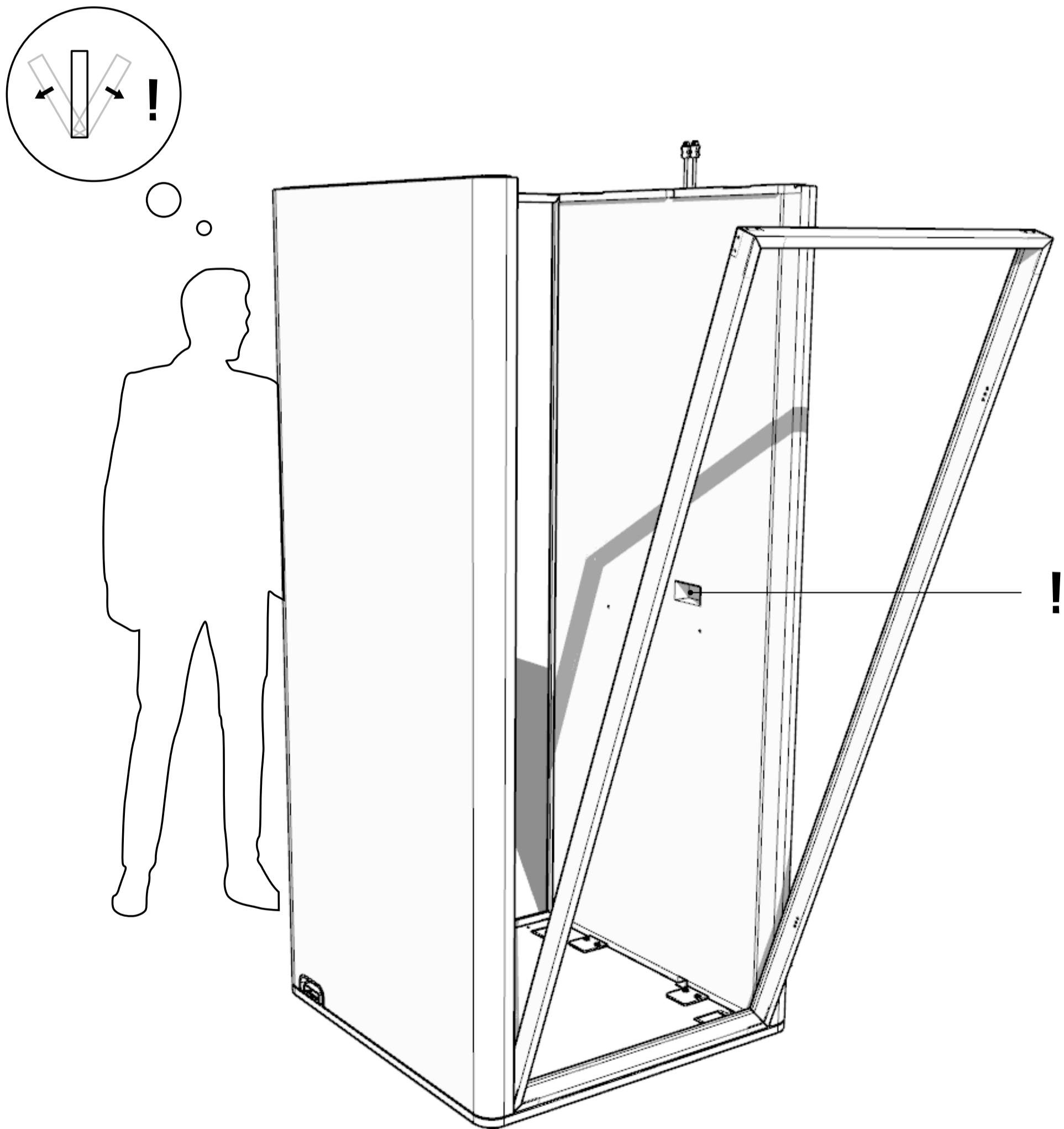
#02 2 x Tighten bolts (ONLY 2!)



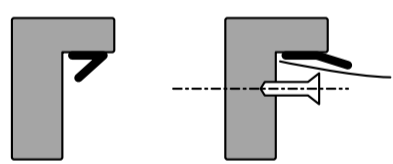
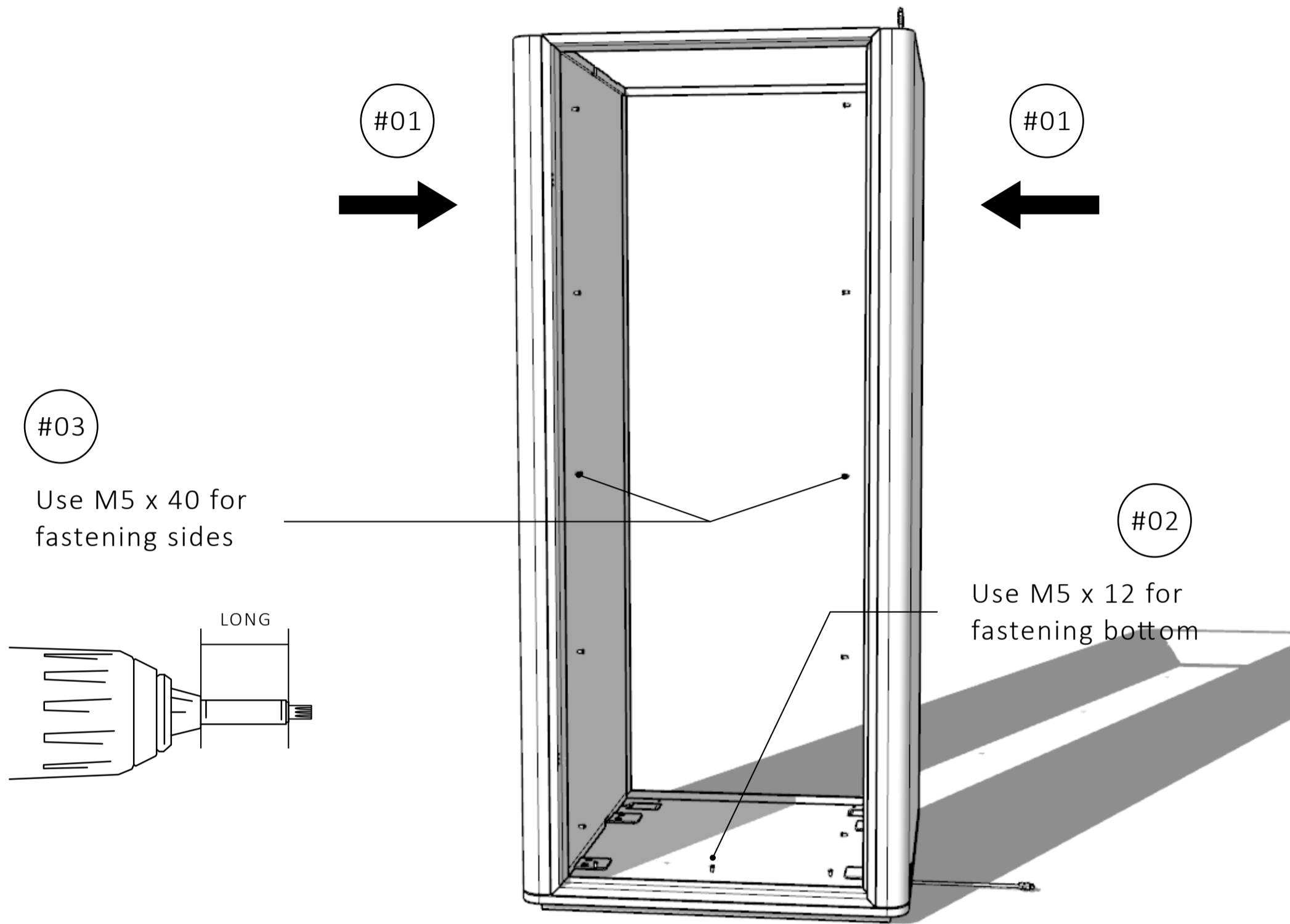
SW3

Place the door profile between the side panels

Take notice of the position of the electric panel!



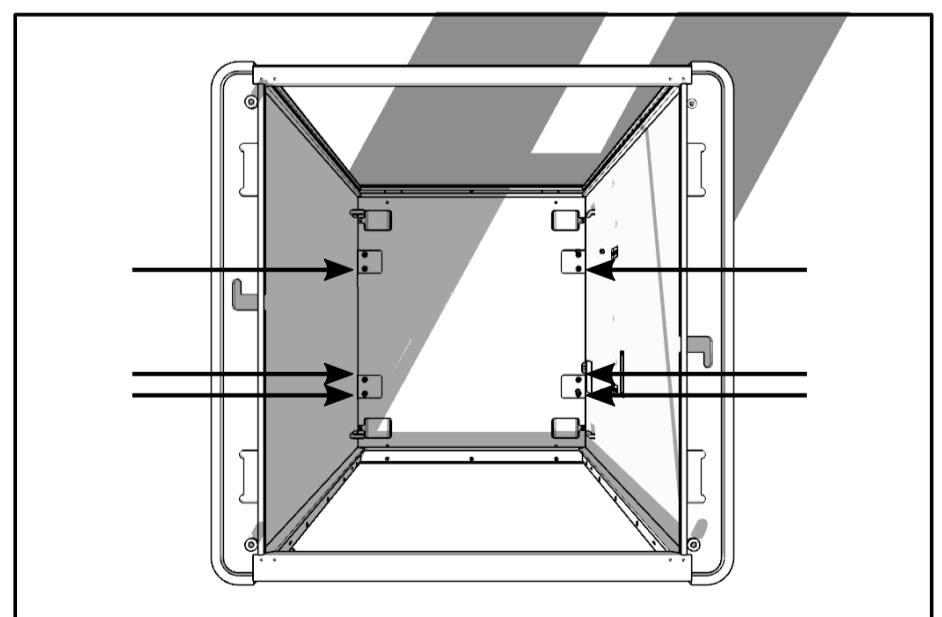
Install door profile to both floor and walls



Use plastic fillers to open up seal, and prevent damage

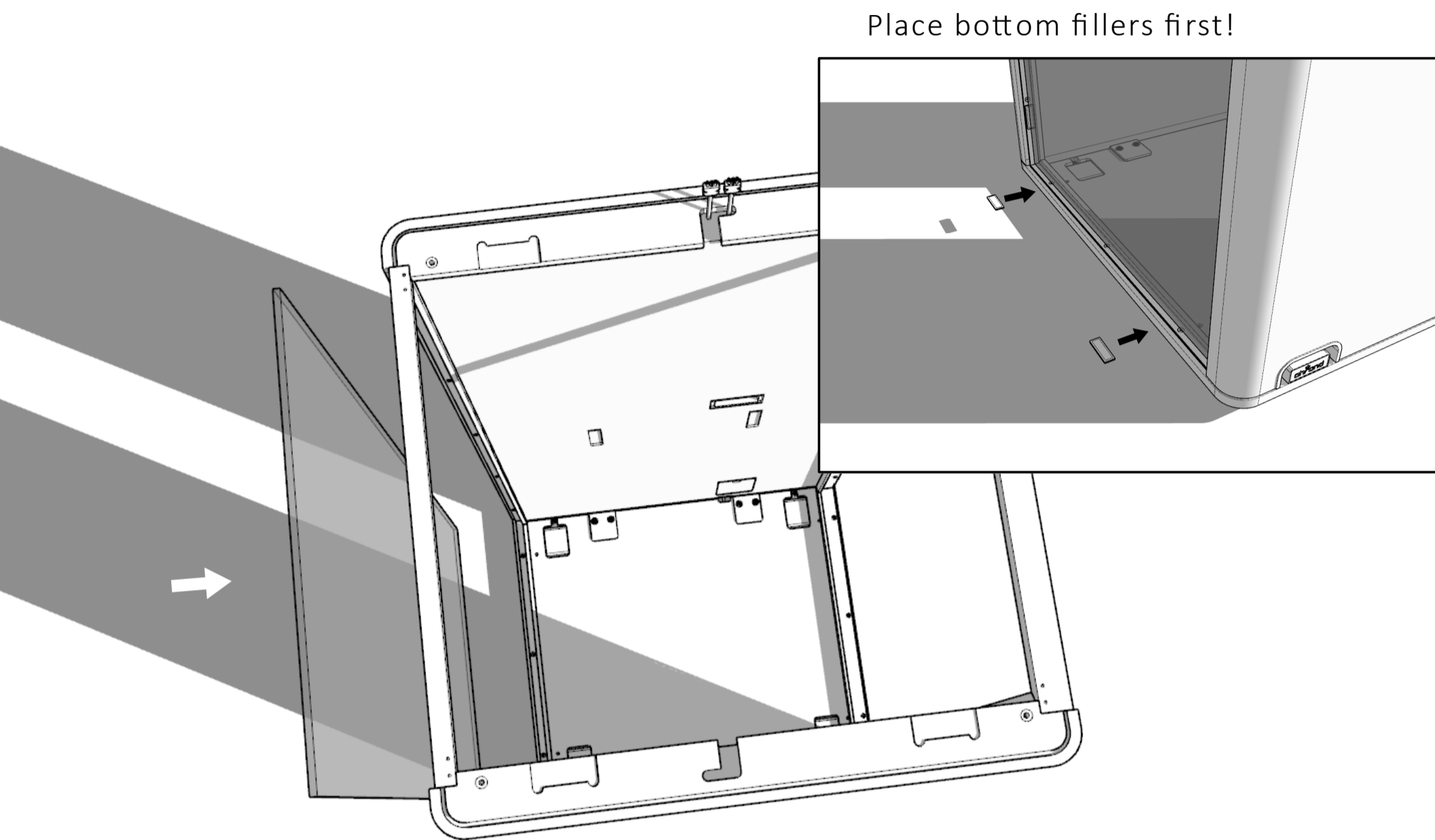
#04

6 x Tighten bolts

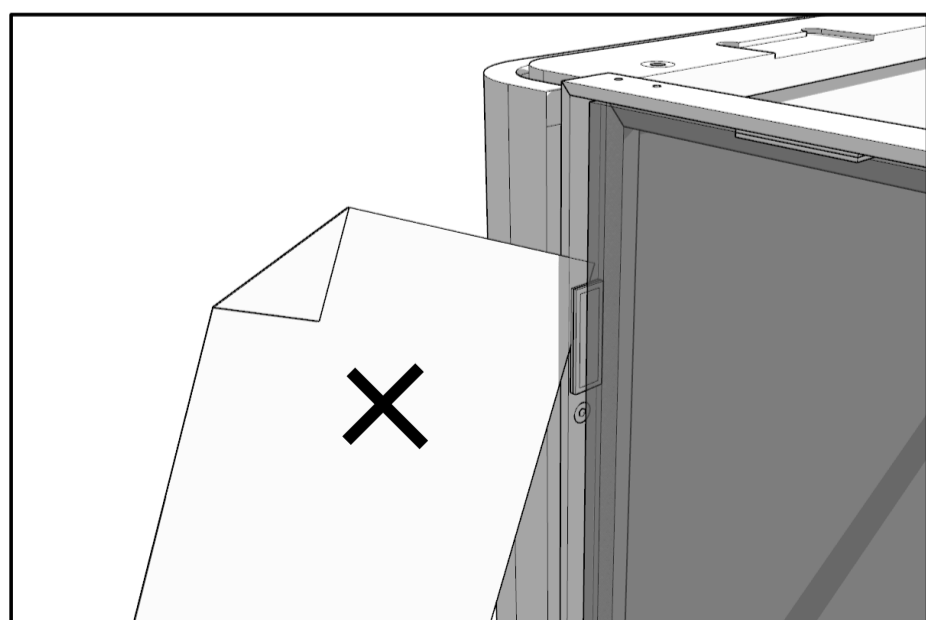


SW3

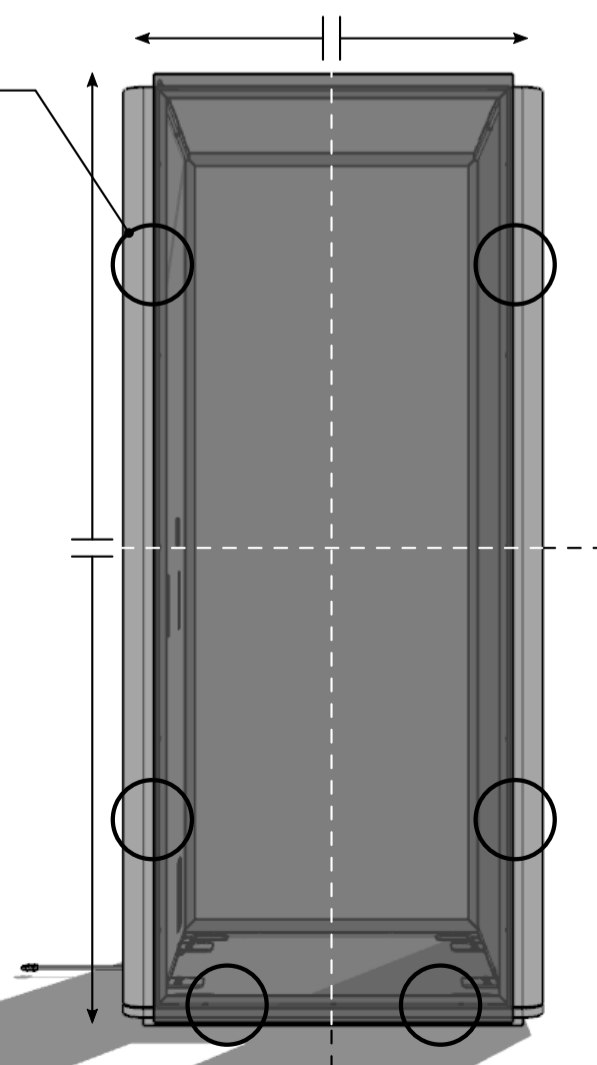
Place window in profile



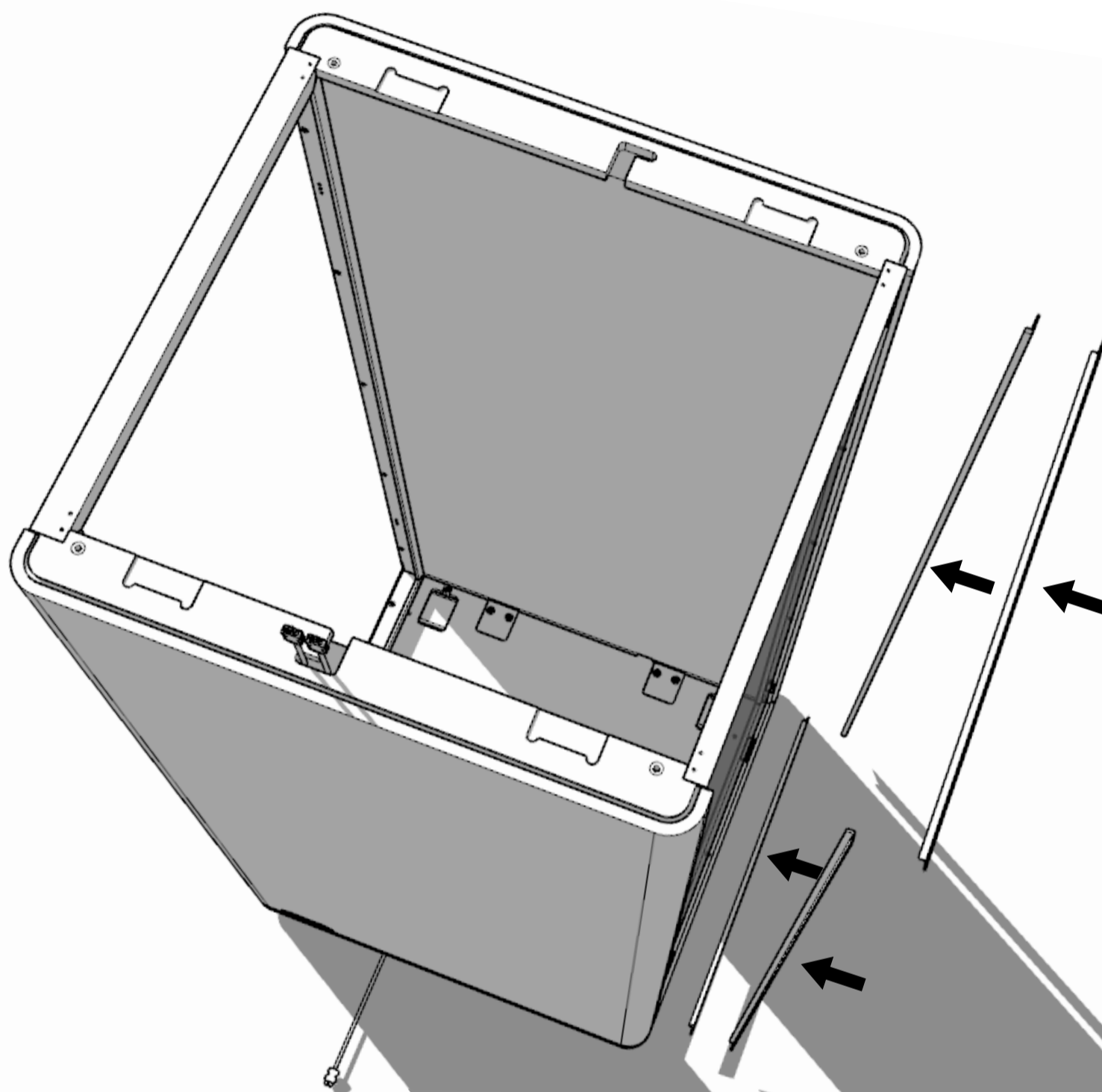
Use Fillers to LOCK Glass, ALL SIDES!



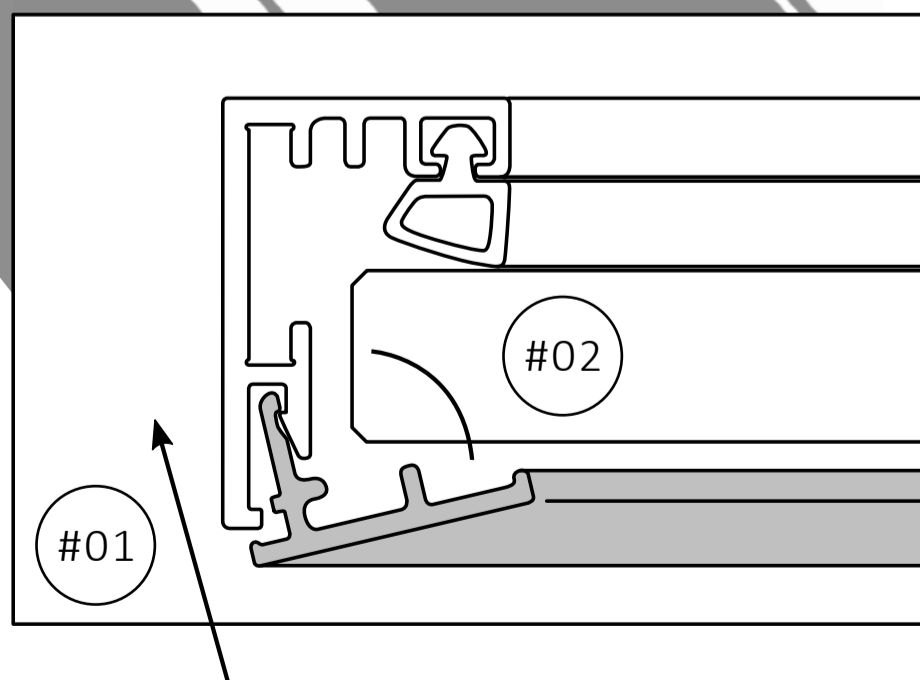
Position of Fillers



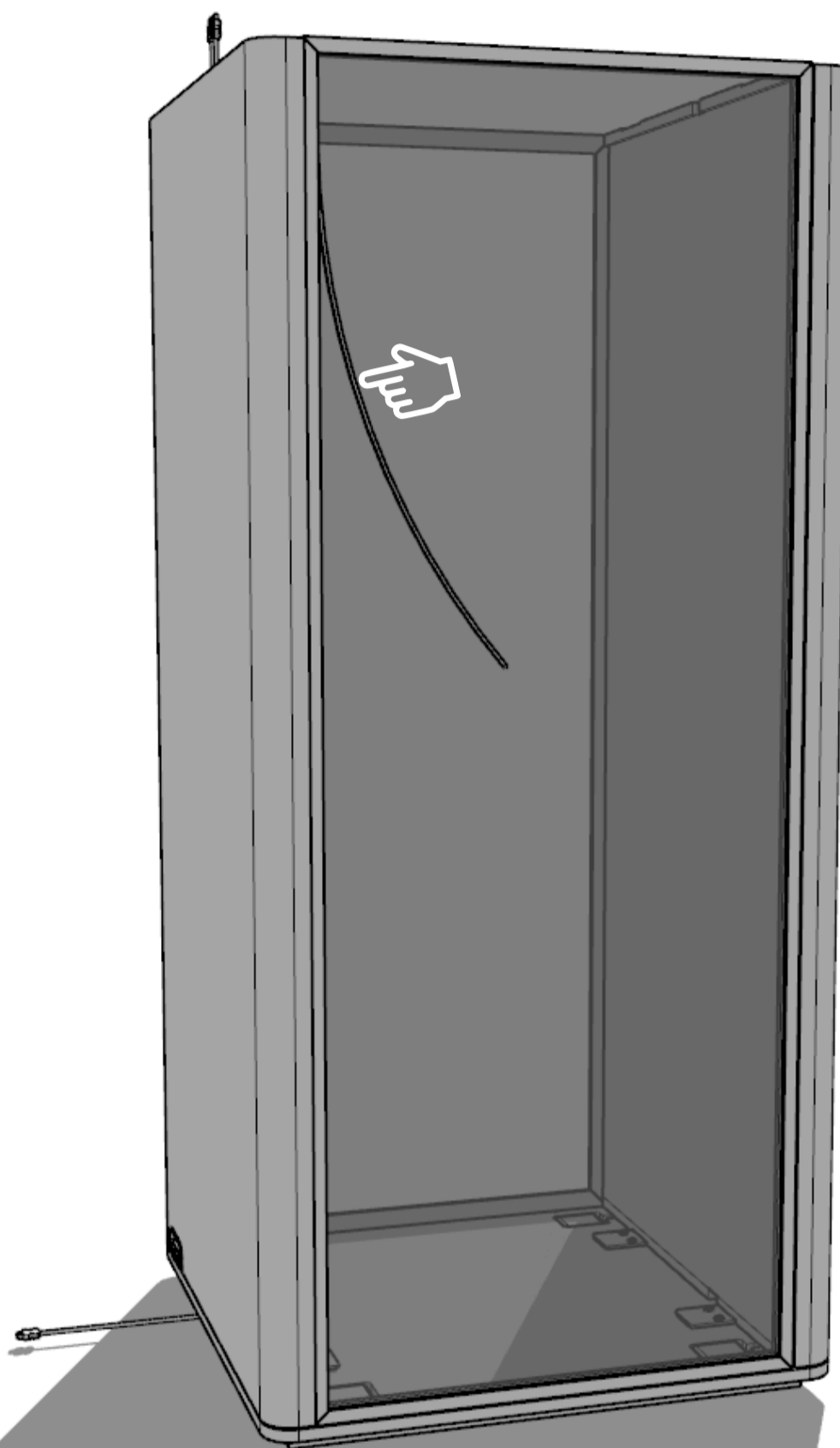
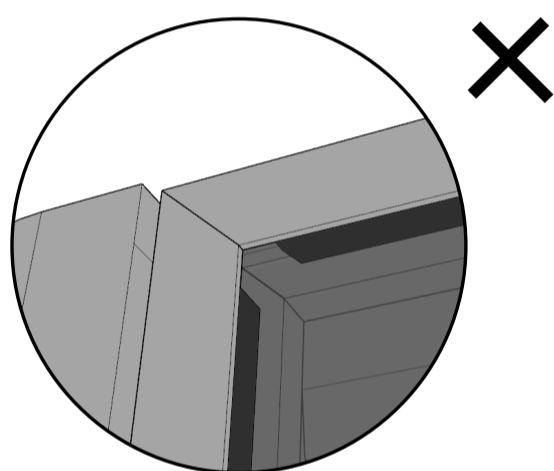
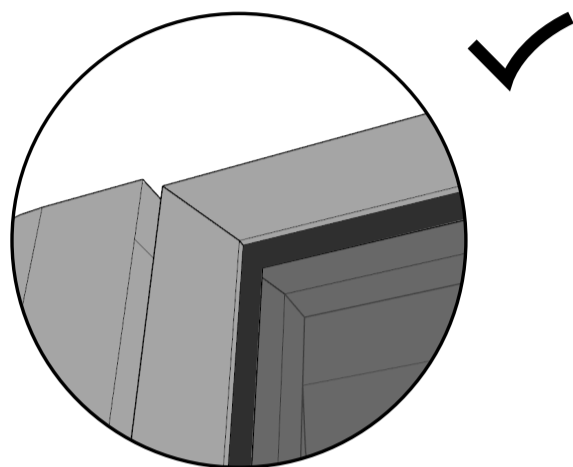
Click closing profiles on window profile



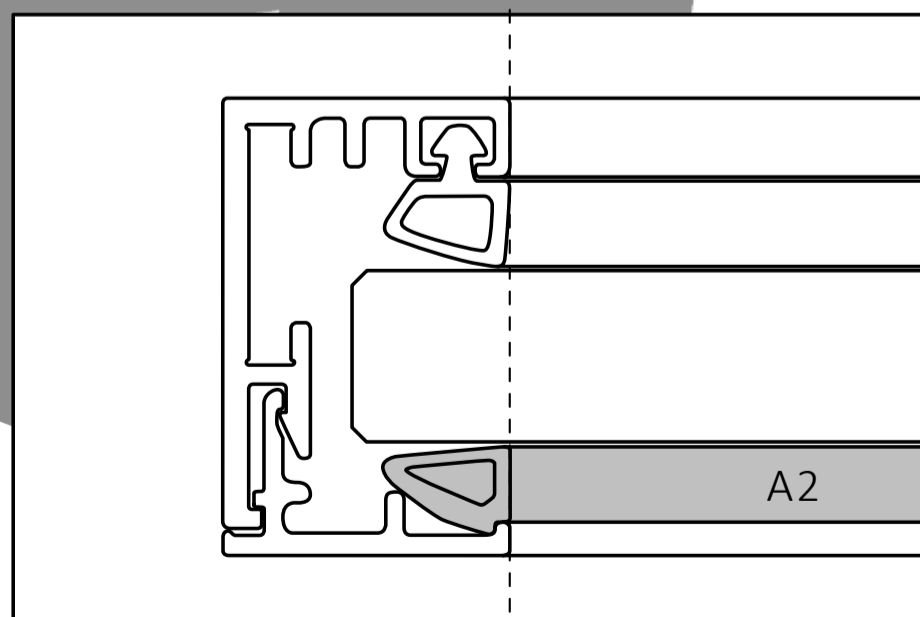
4 x CLICK profiles



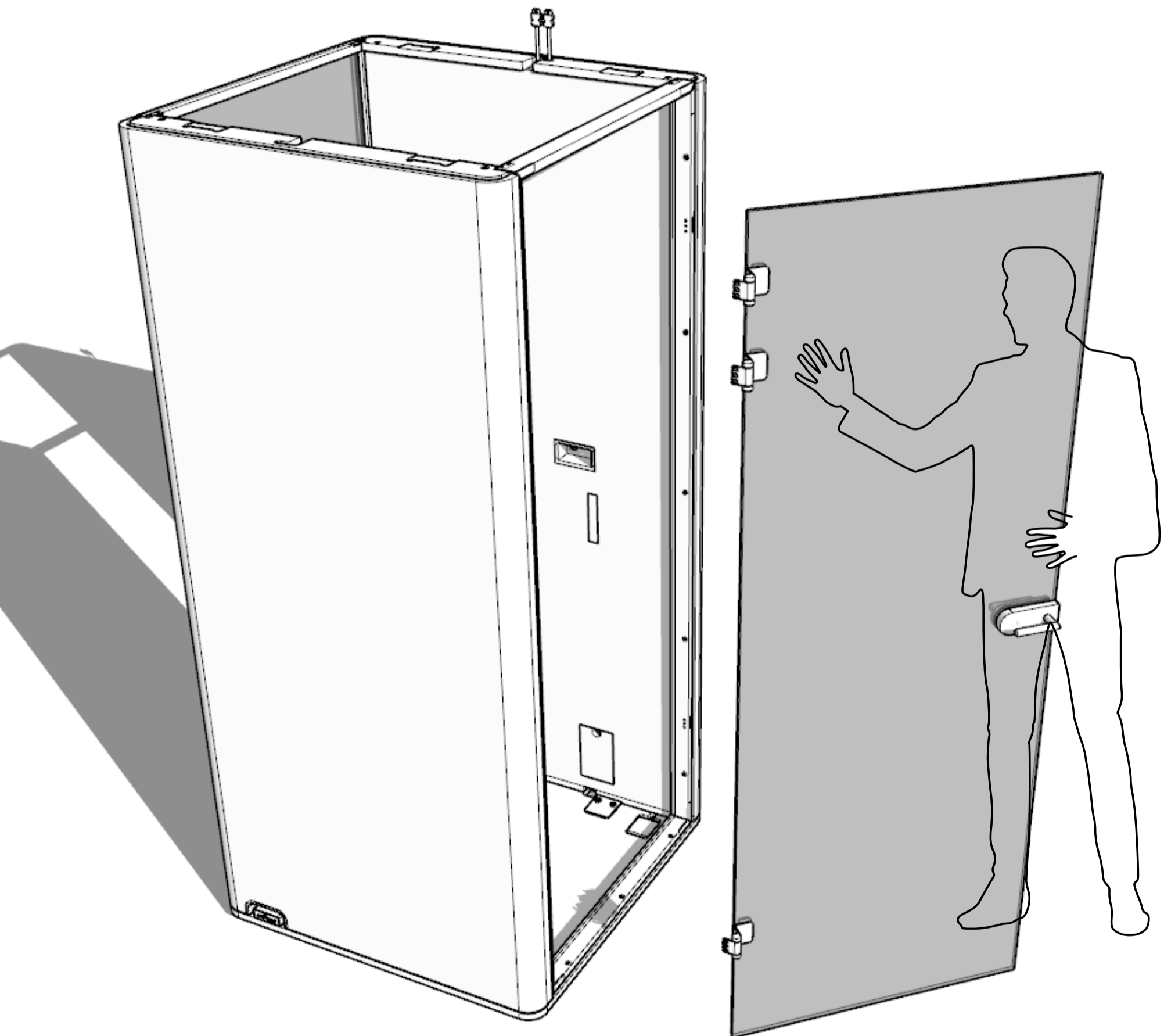
Install rubber profile to seal & lock the window



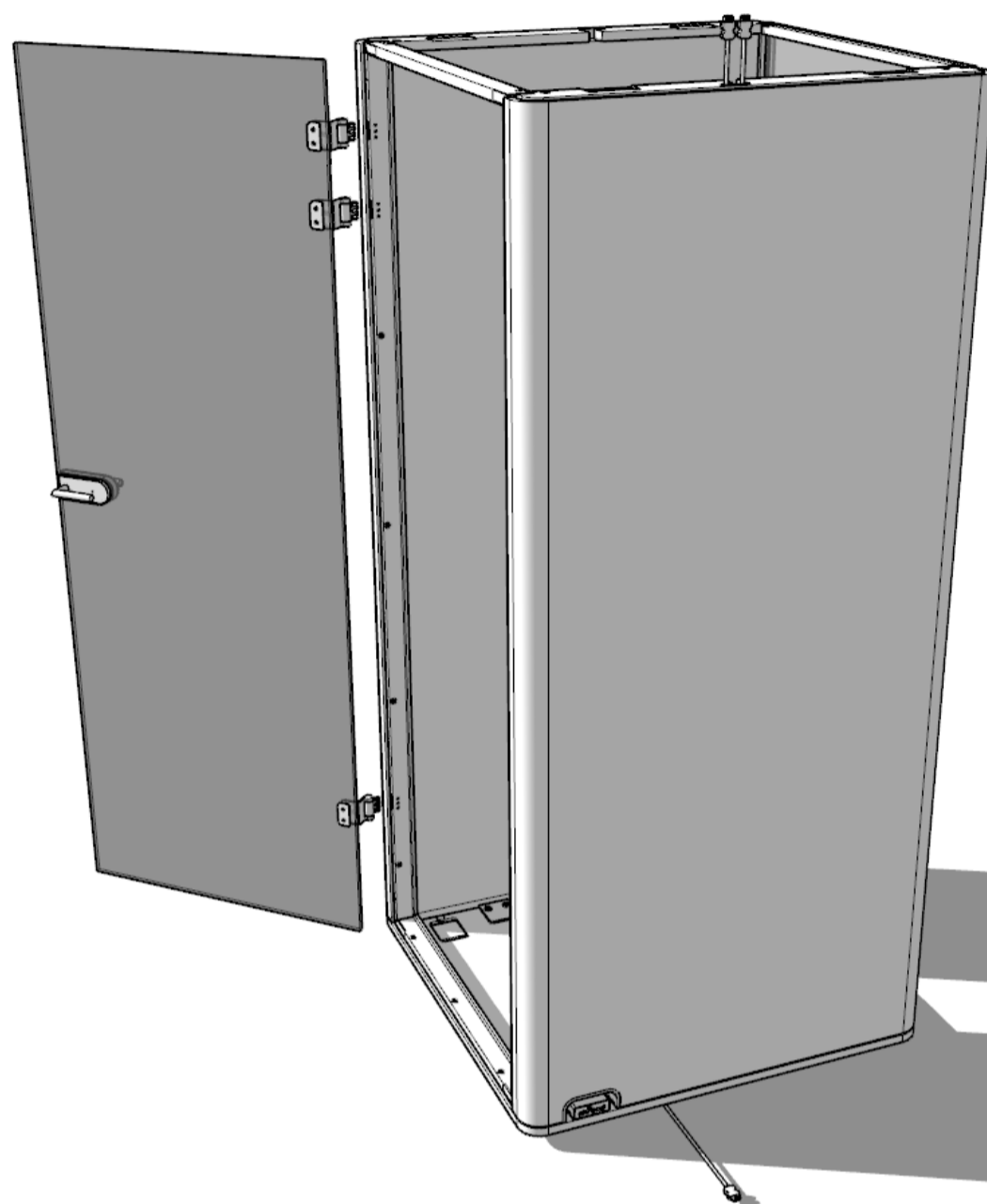
Use cleaner on glass for easy fit



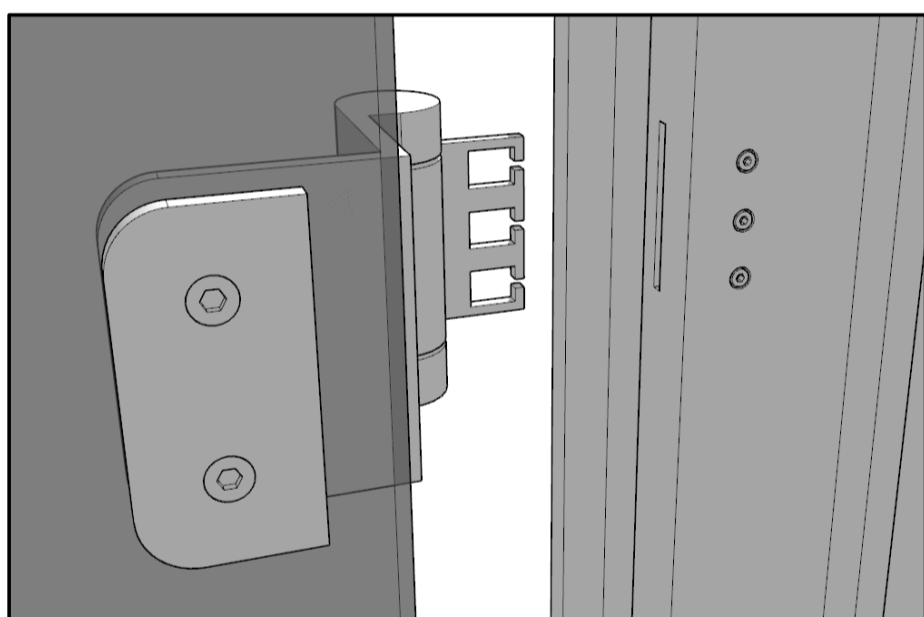
Position the door in the door profile



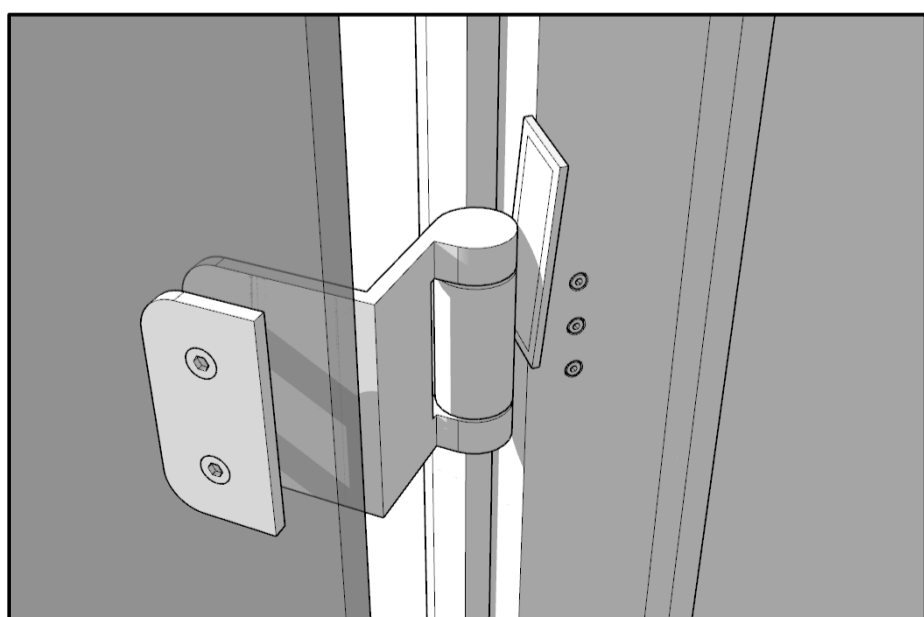
Install the hinges in the door profile



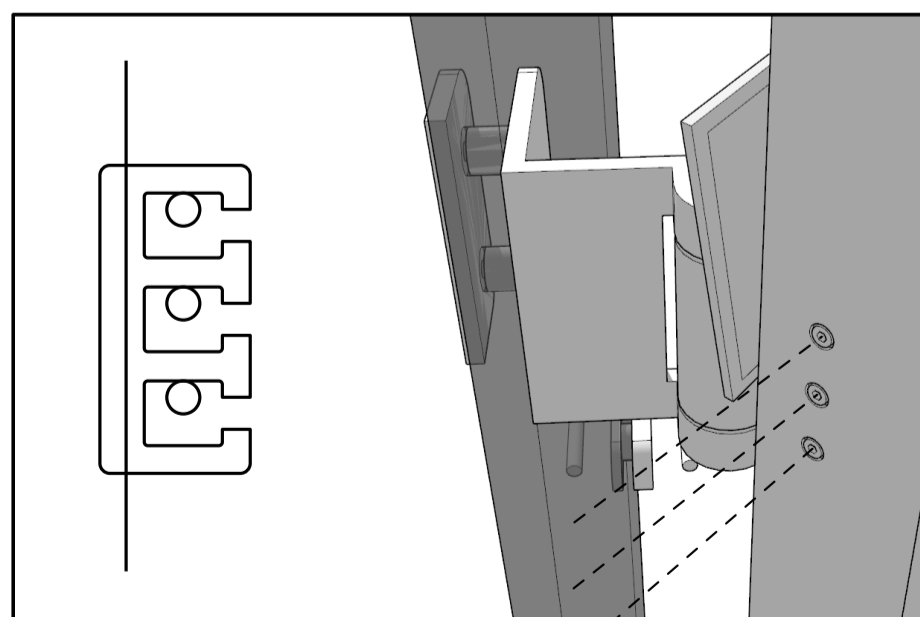
Place hinge in opening doorframe



2 mm Spacing (top & bottom)

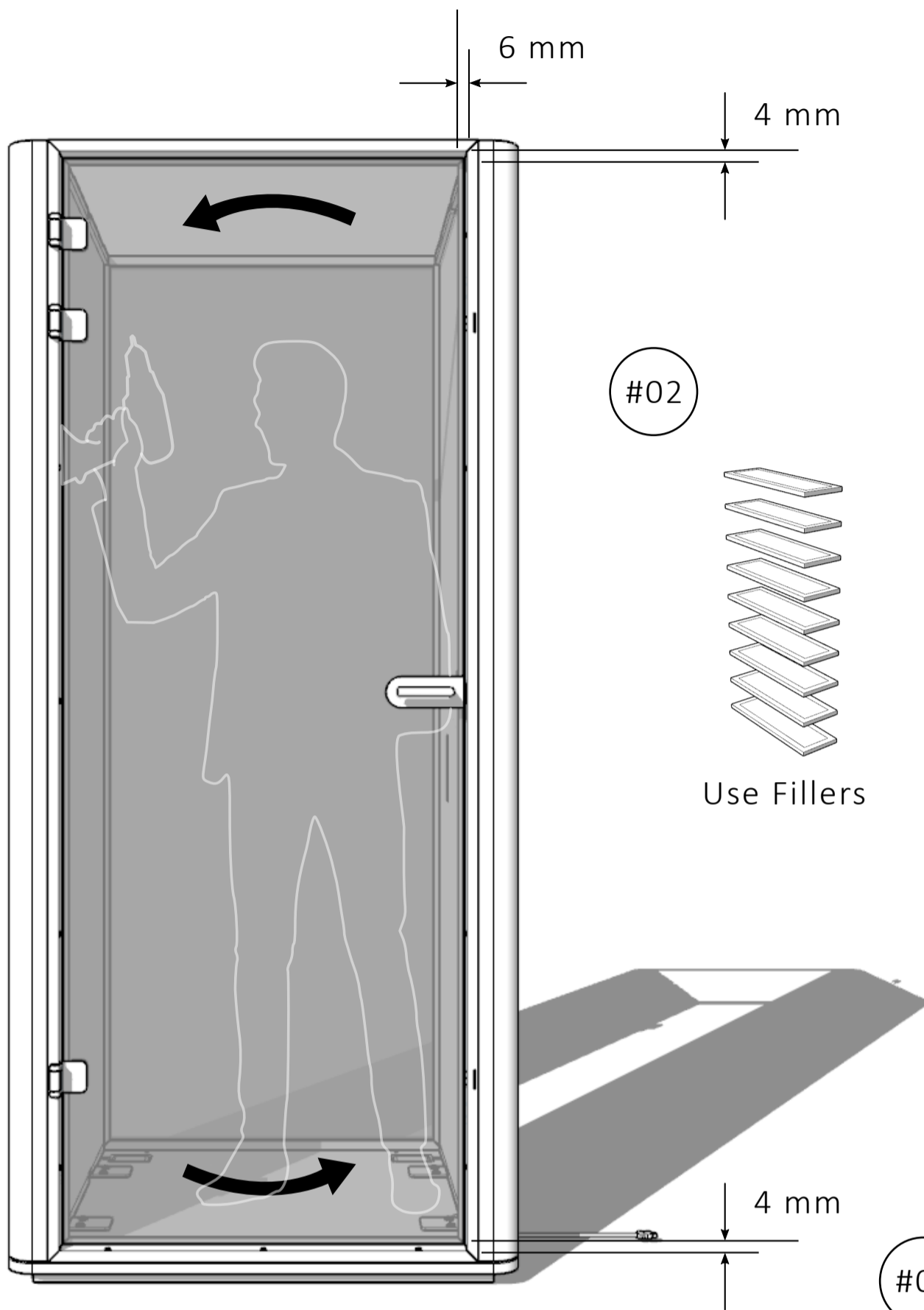
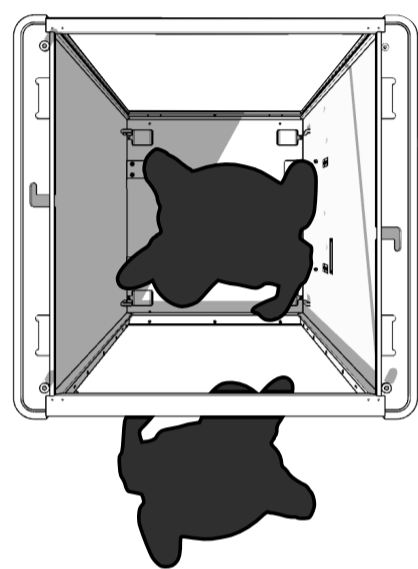


6 x Tighten bolts



SW3

Adjust the door

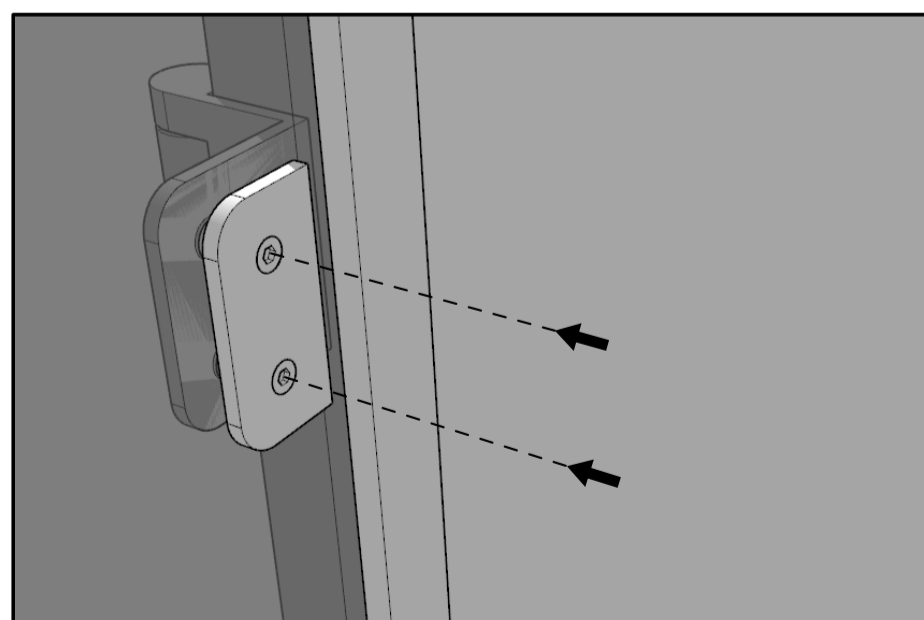
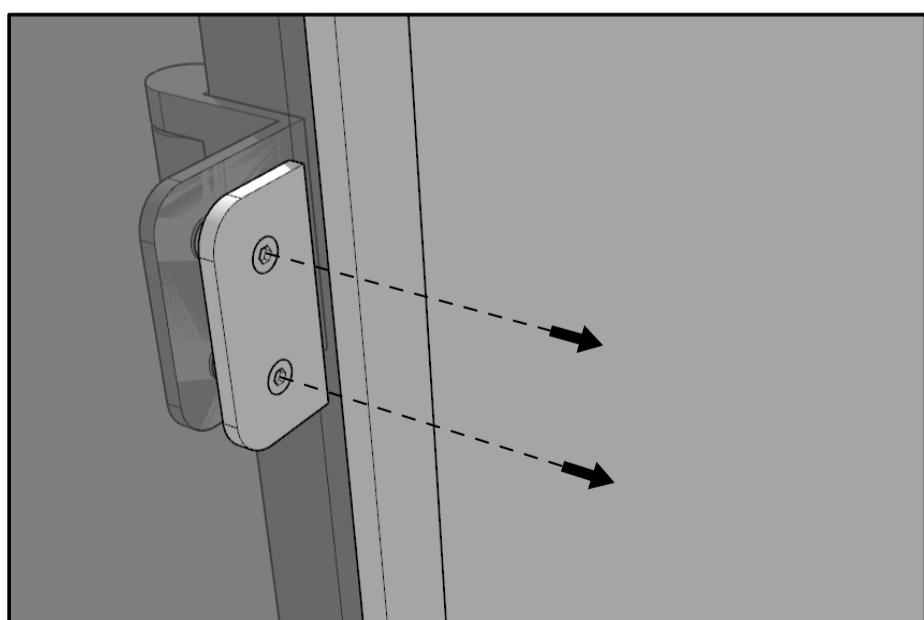


#01

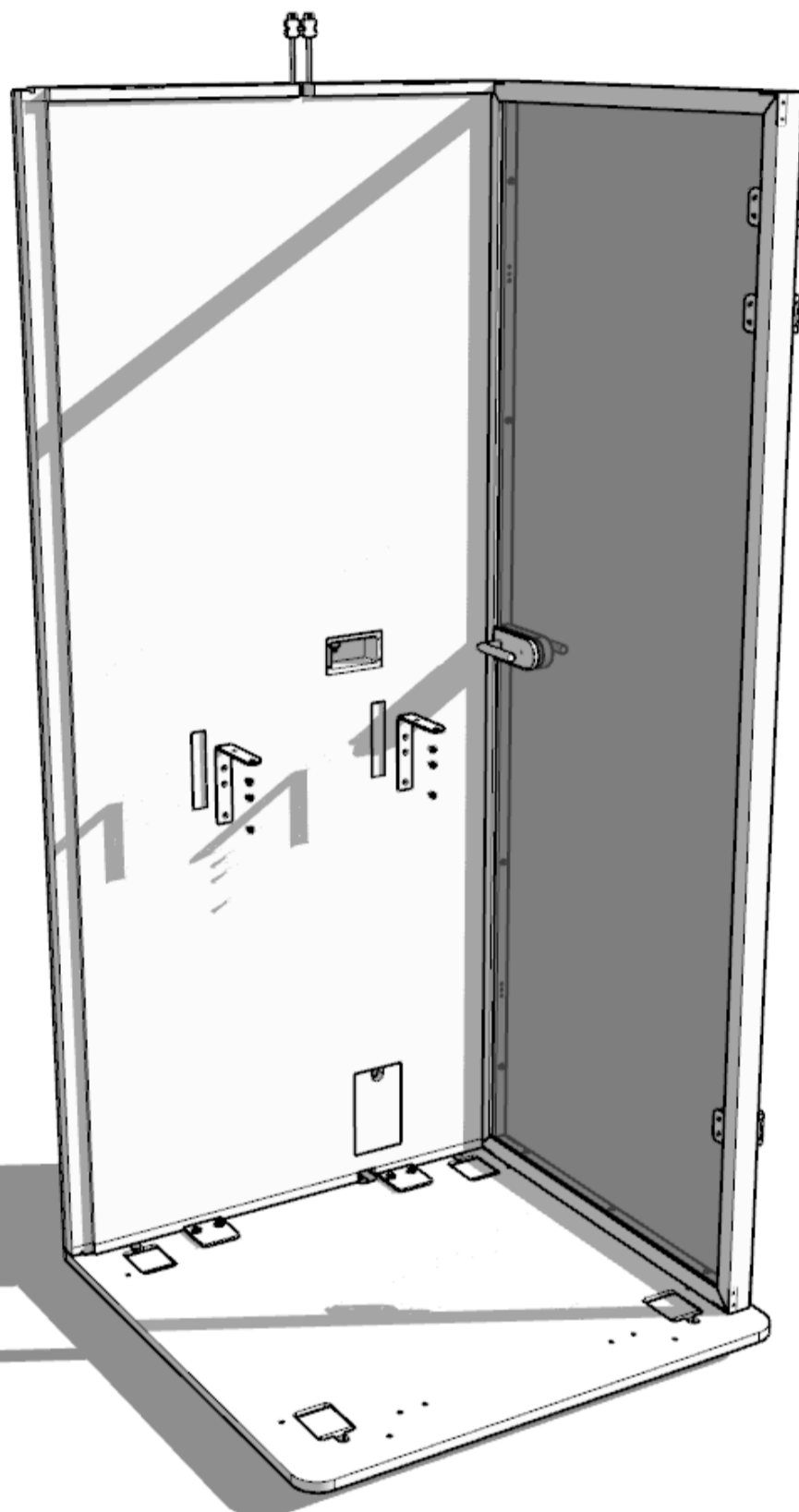
#03

6 x Loosen bolts

6 x Tighten bolts

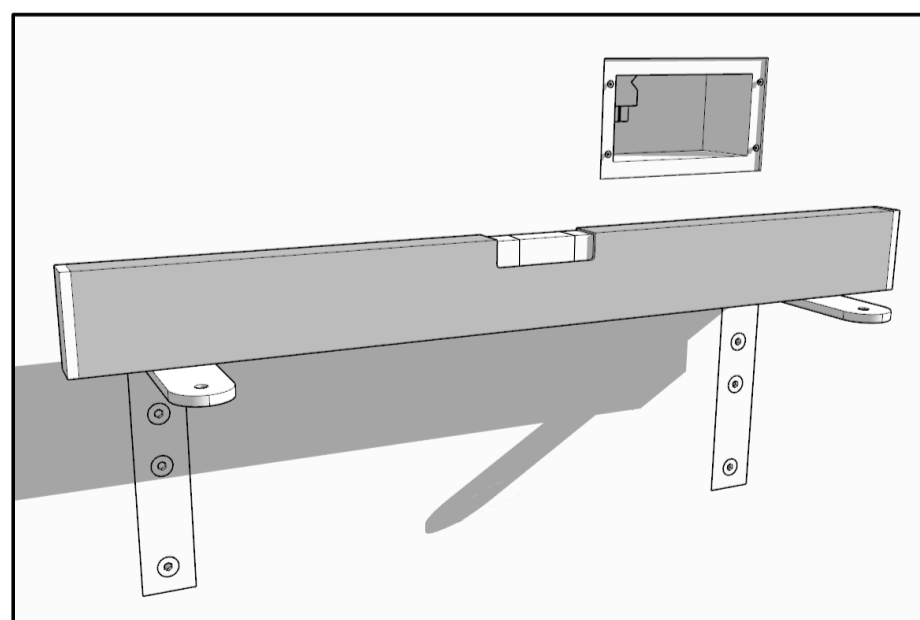
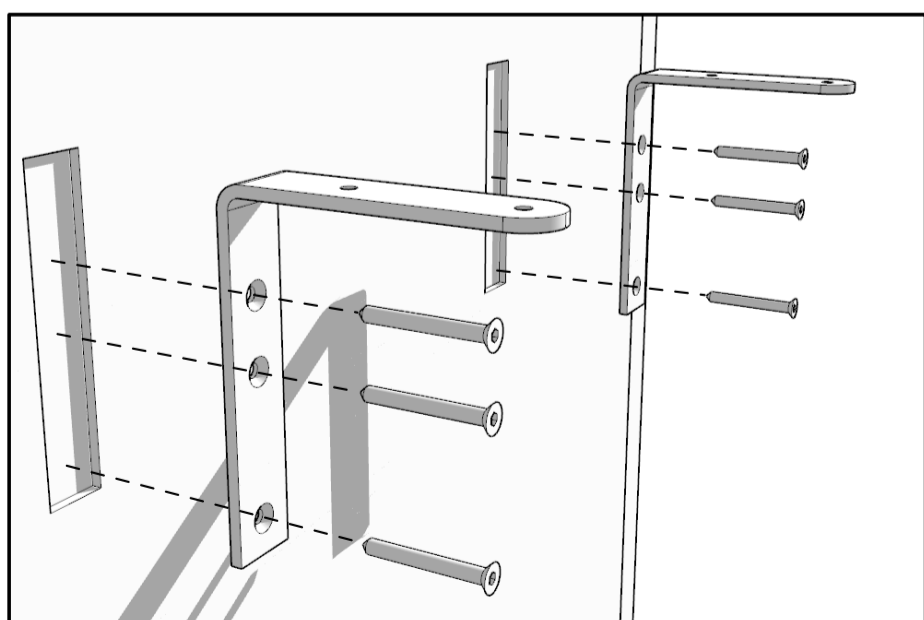


Install the table brackets

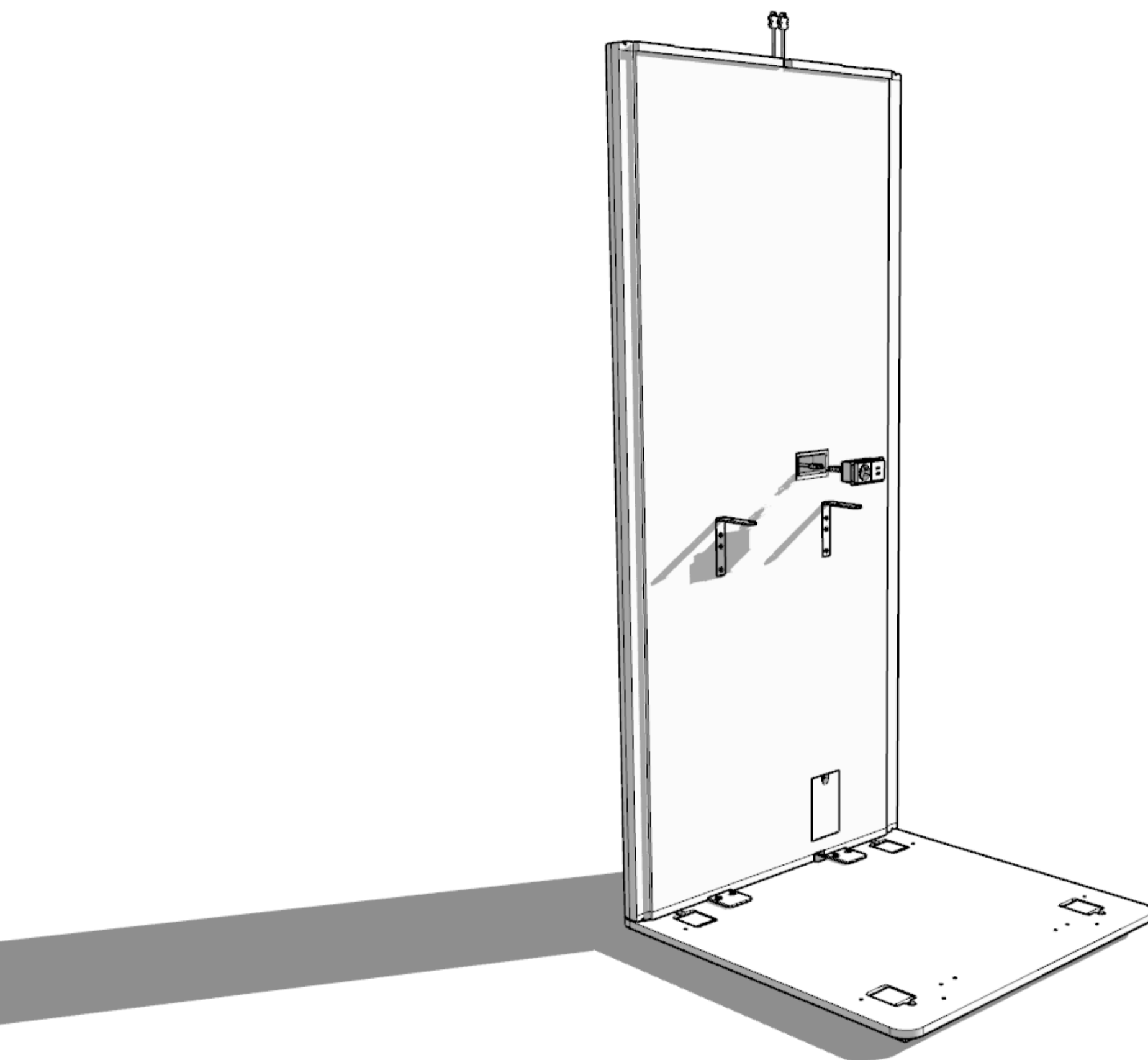


6 x Wood screw 5 x 50

Horizontal!

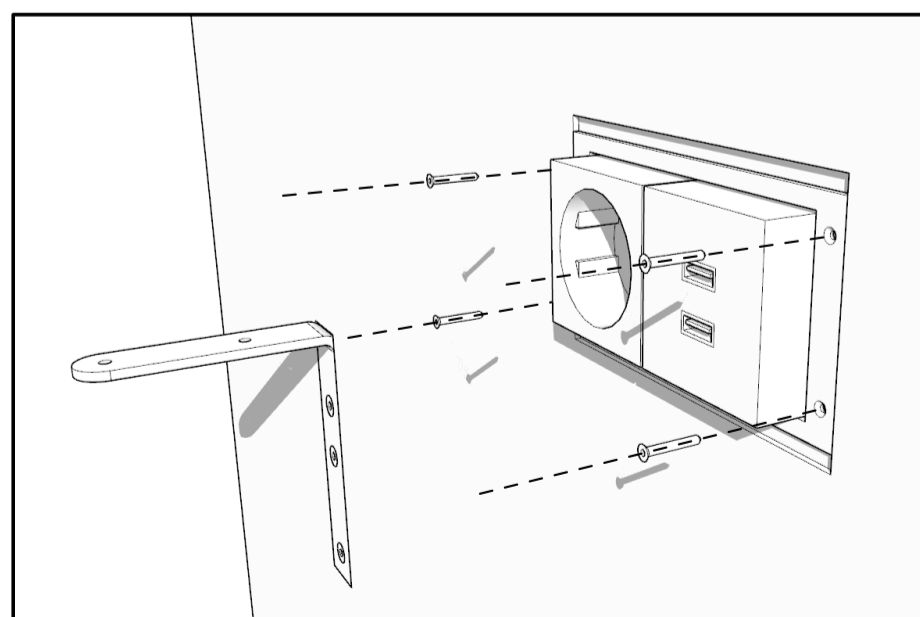
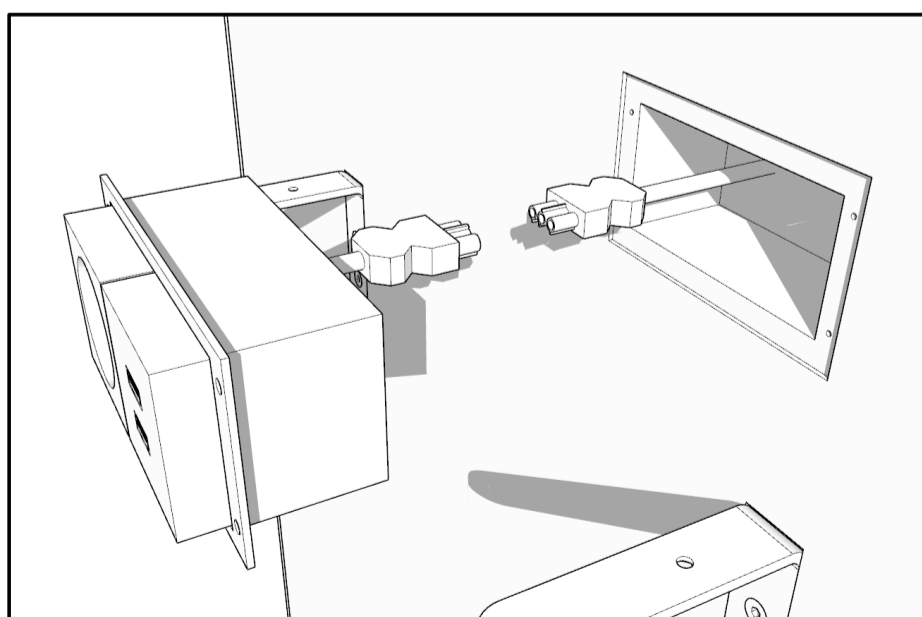


Connect netbox



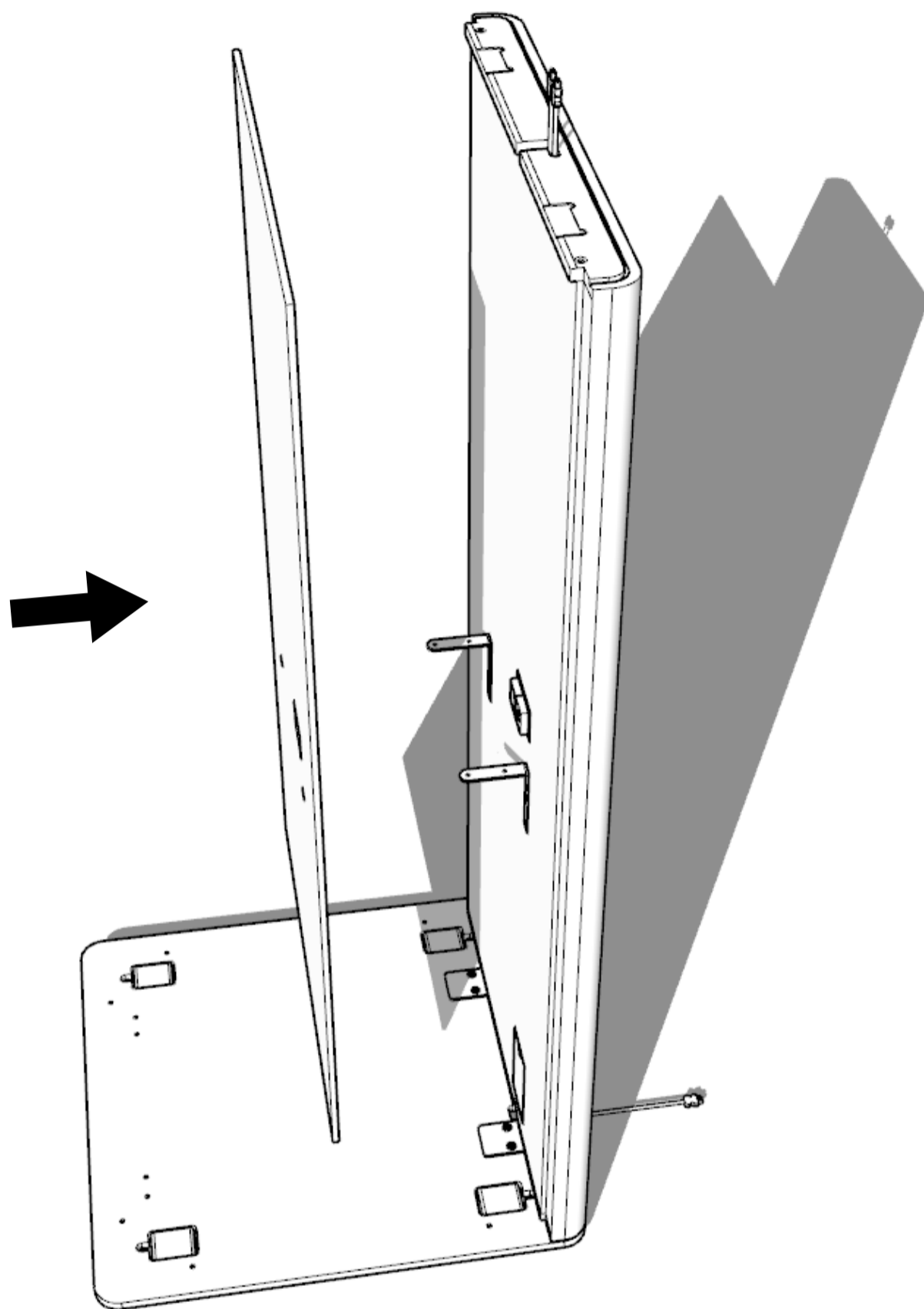
Plug in

4 x M4 x 12

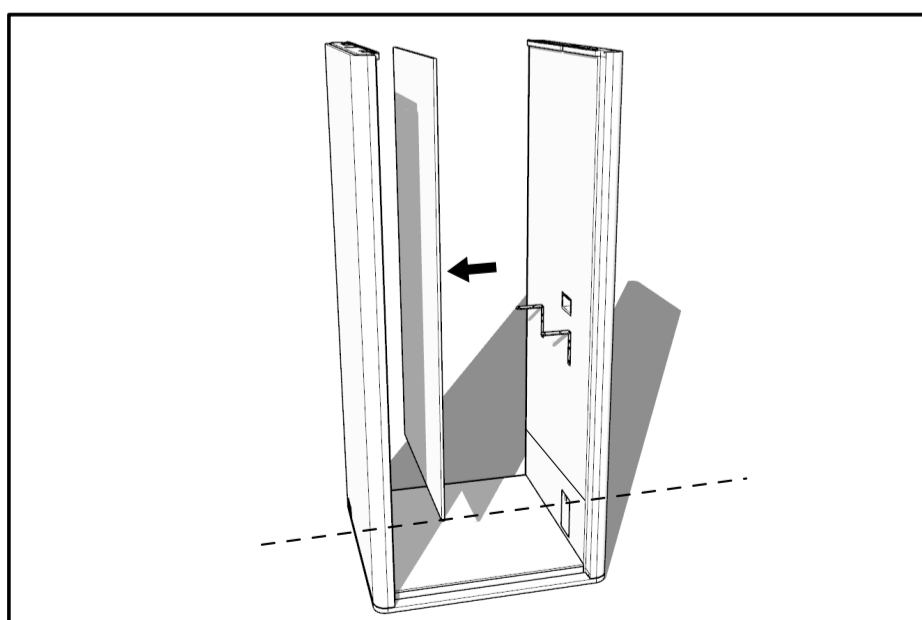


PH2

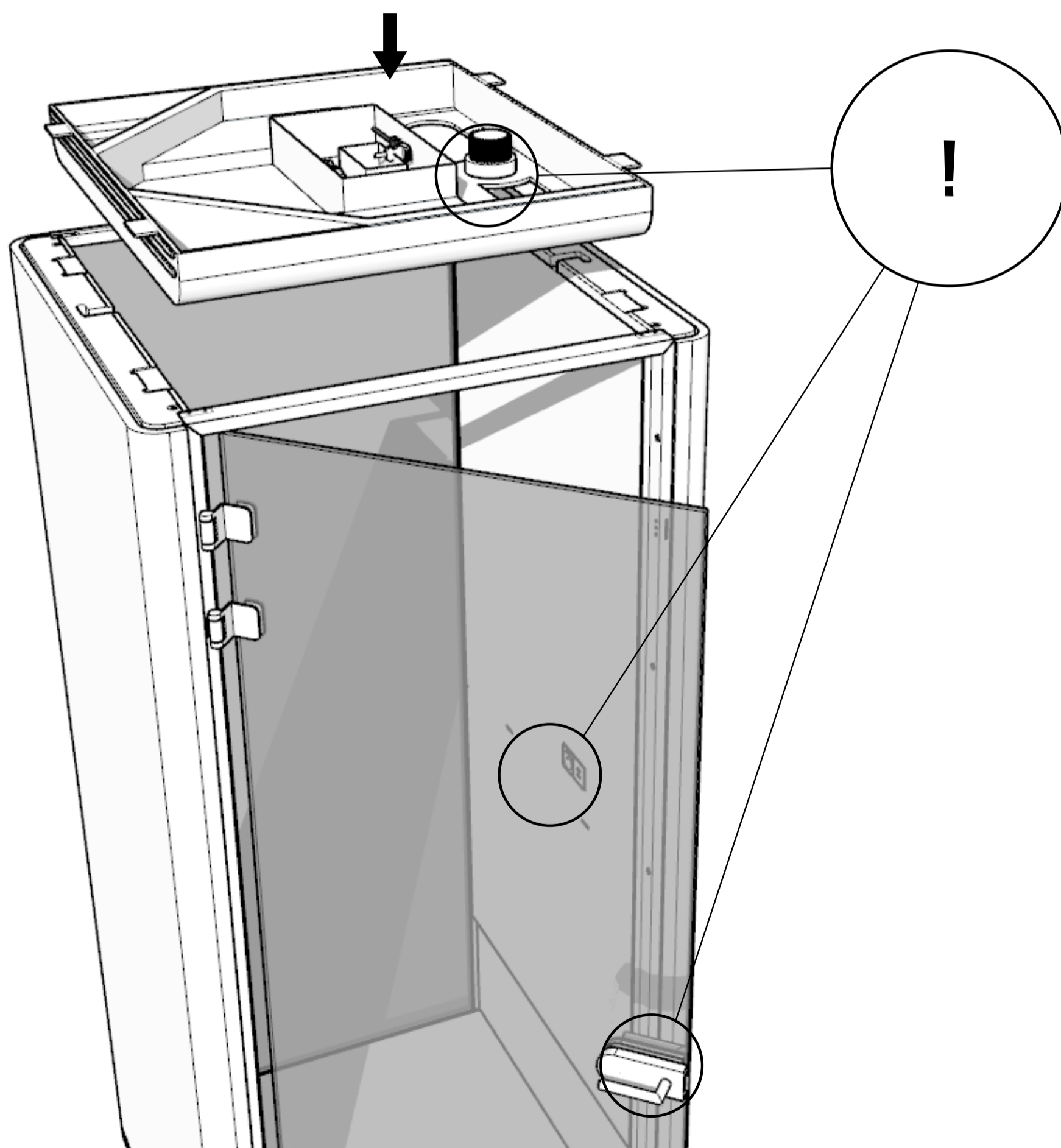
Place the felt with opening against the wall



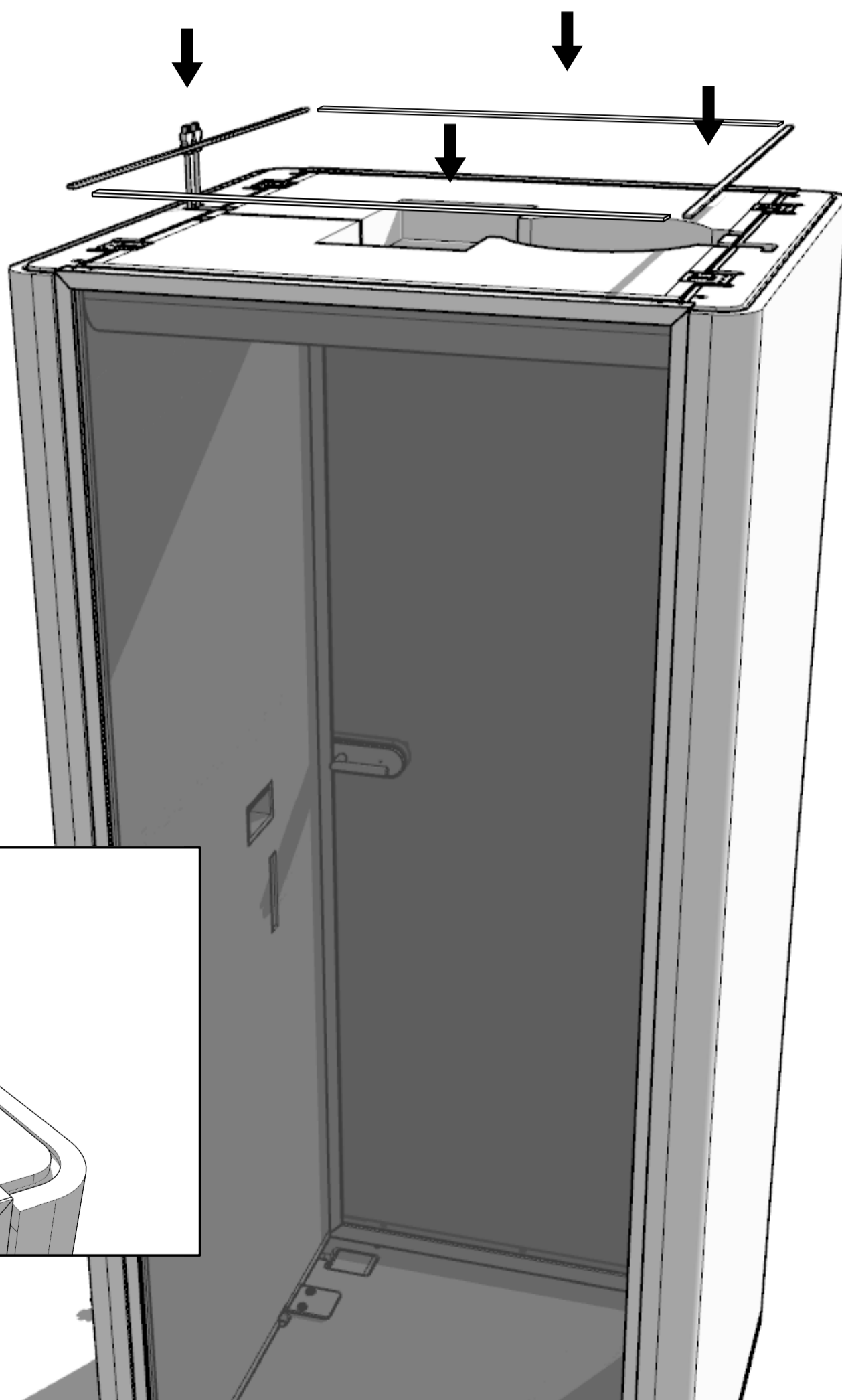
Place 2nd felt | SAME HEIGHT



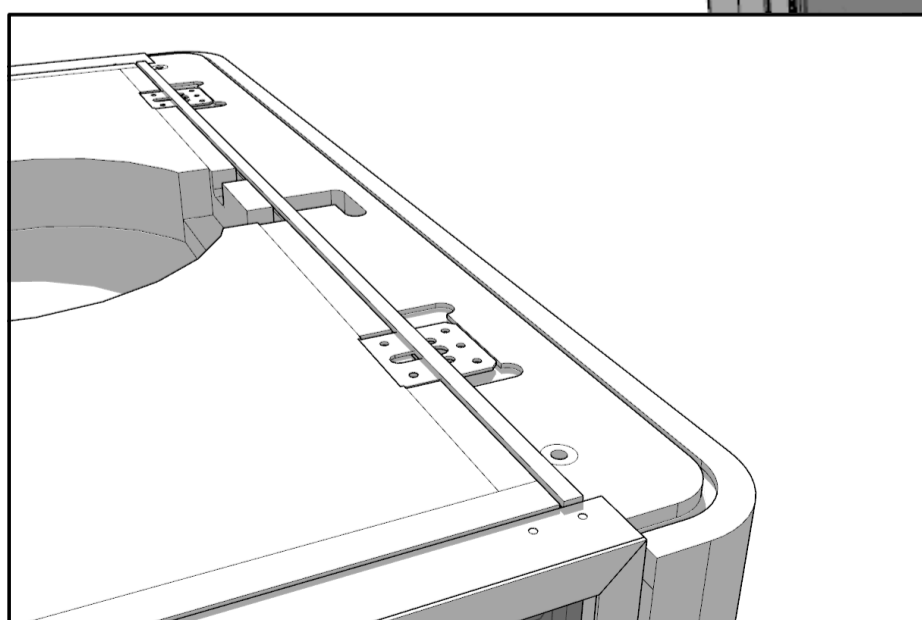
Drop ceiling into location



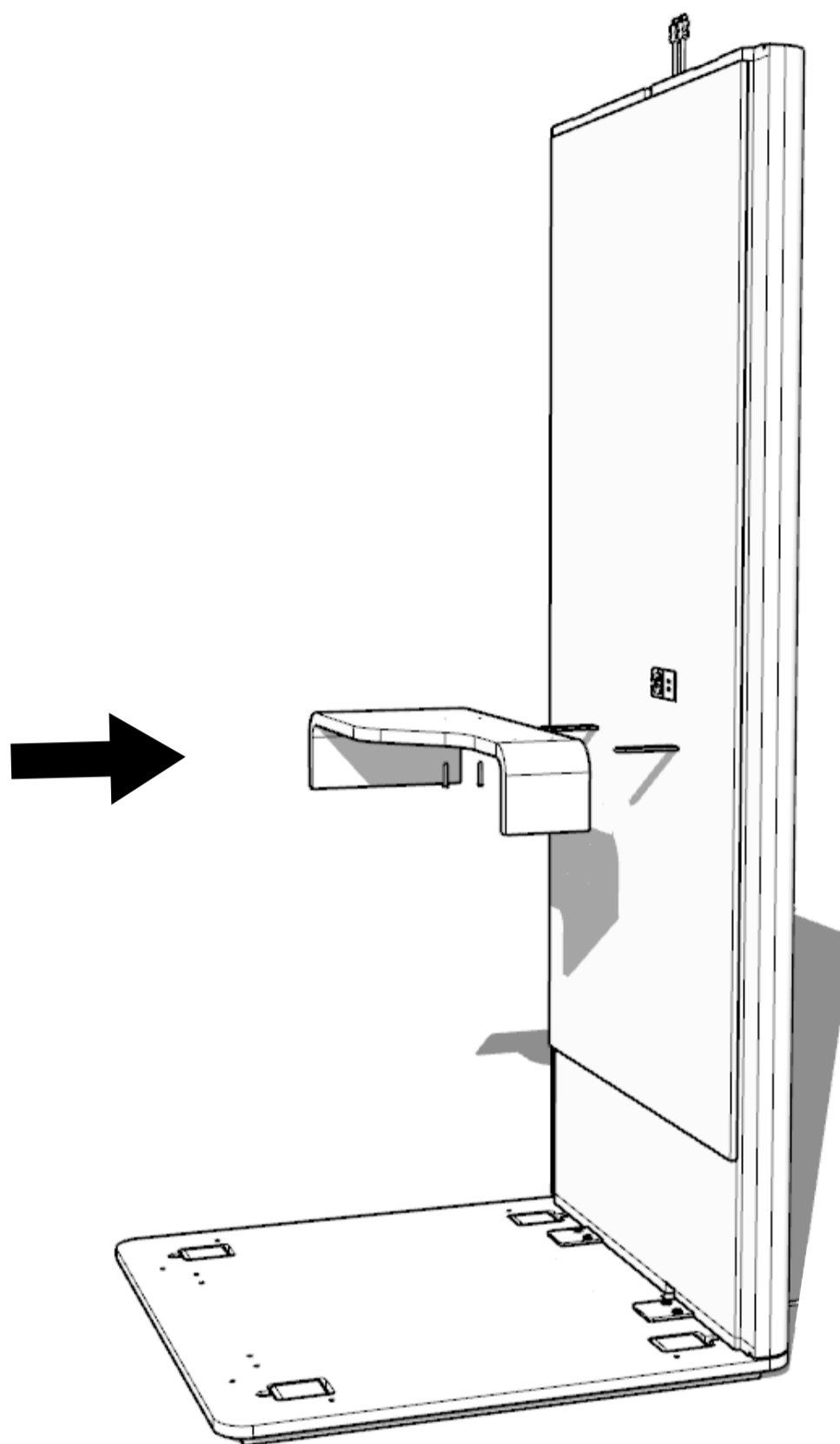
Place tape on each edge



4 x Tape

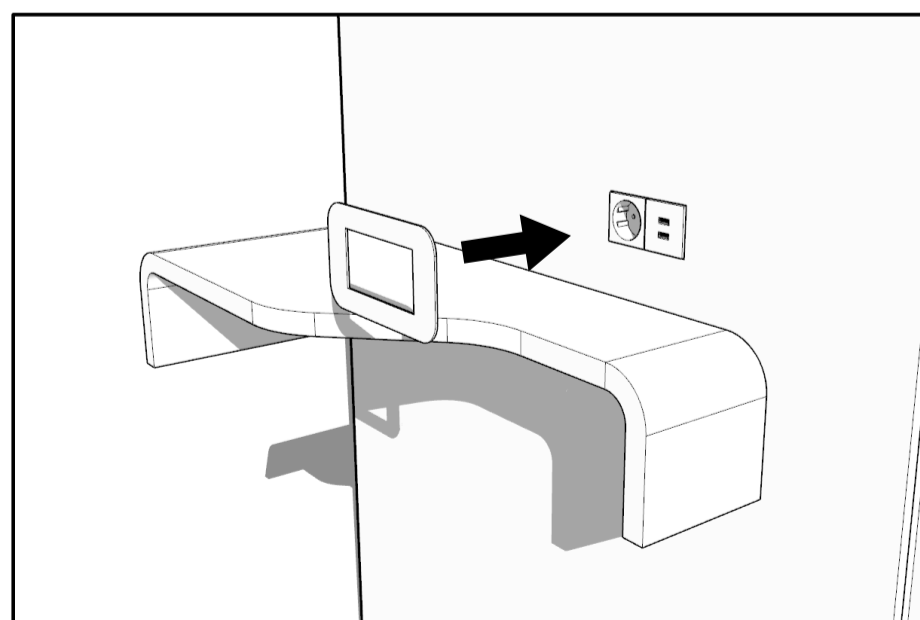
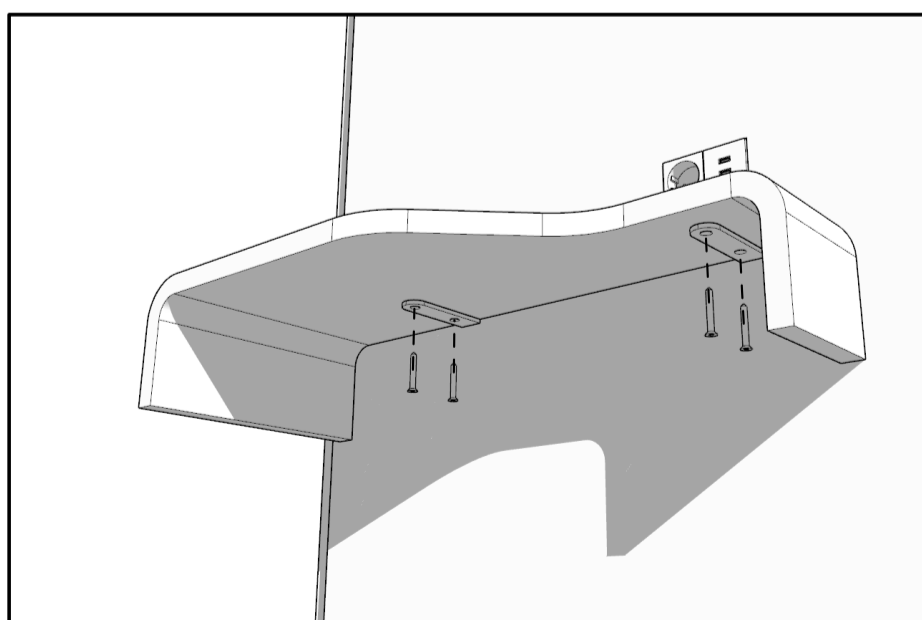


Place the table



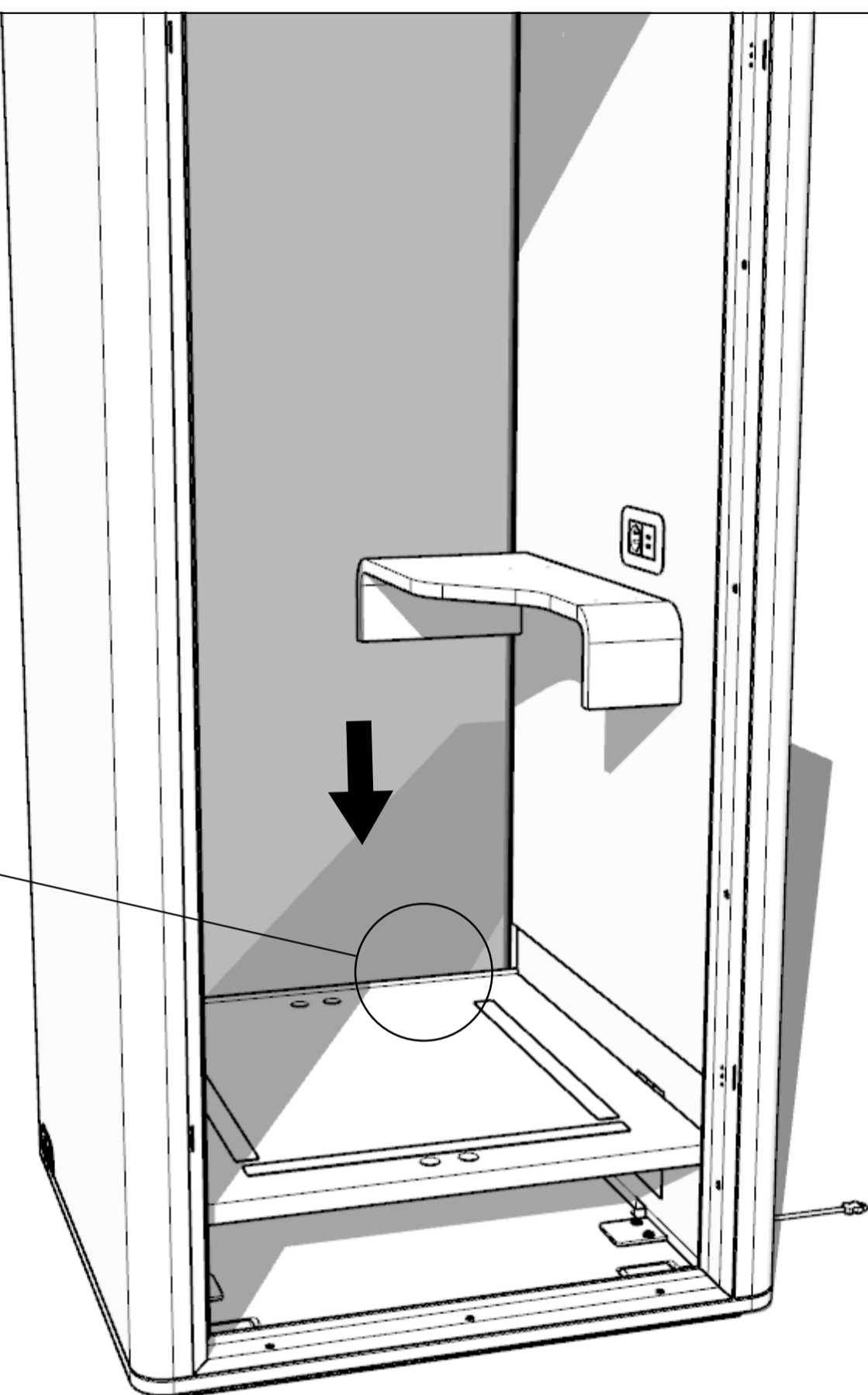
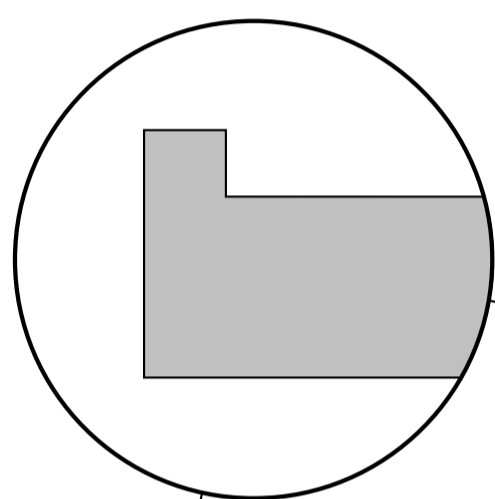
4 x M6 x 12 (countersunk)

Click panel on netbox

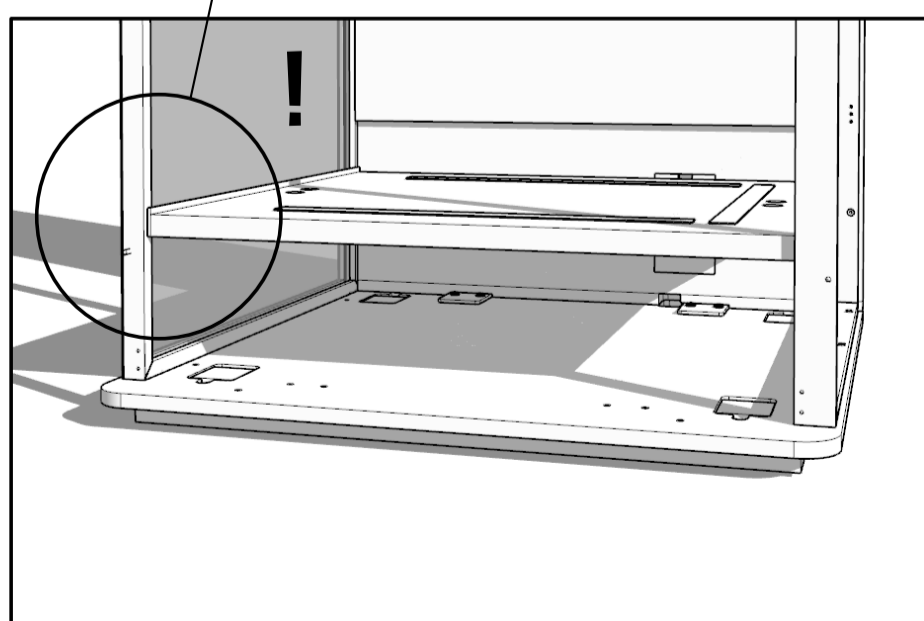


SW4

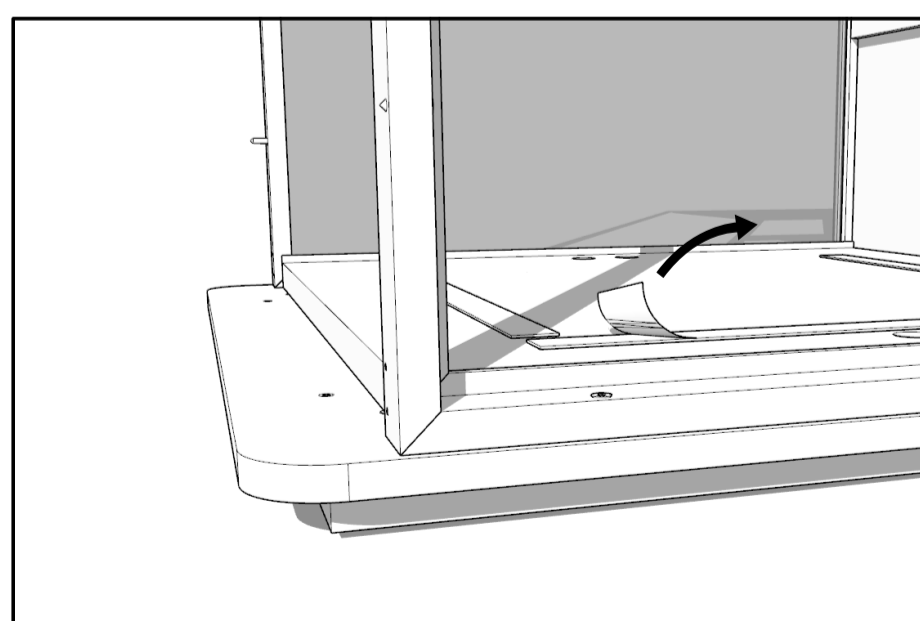
Place the floor



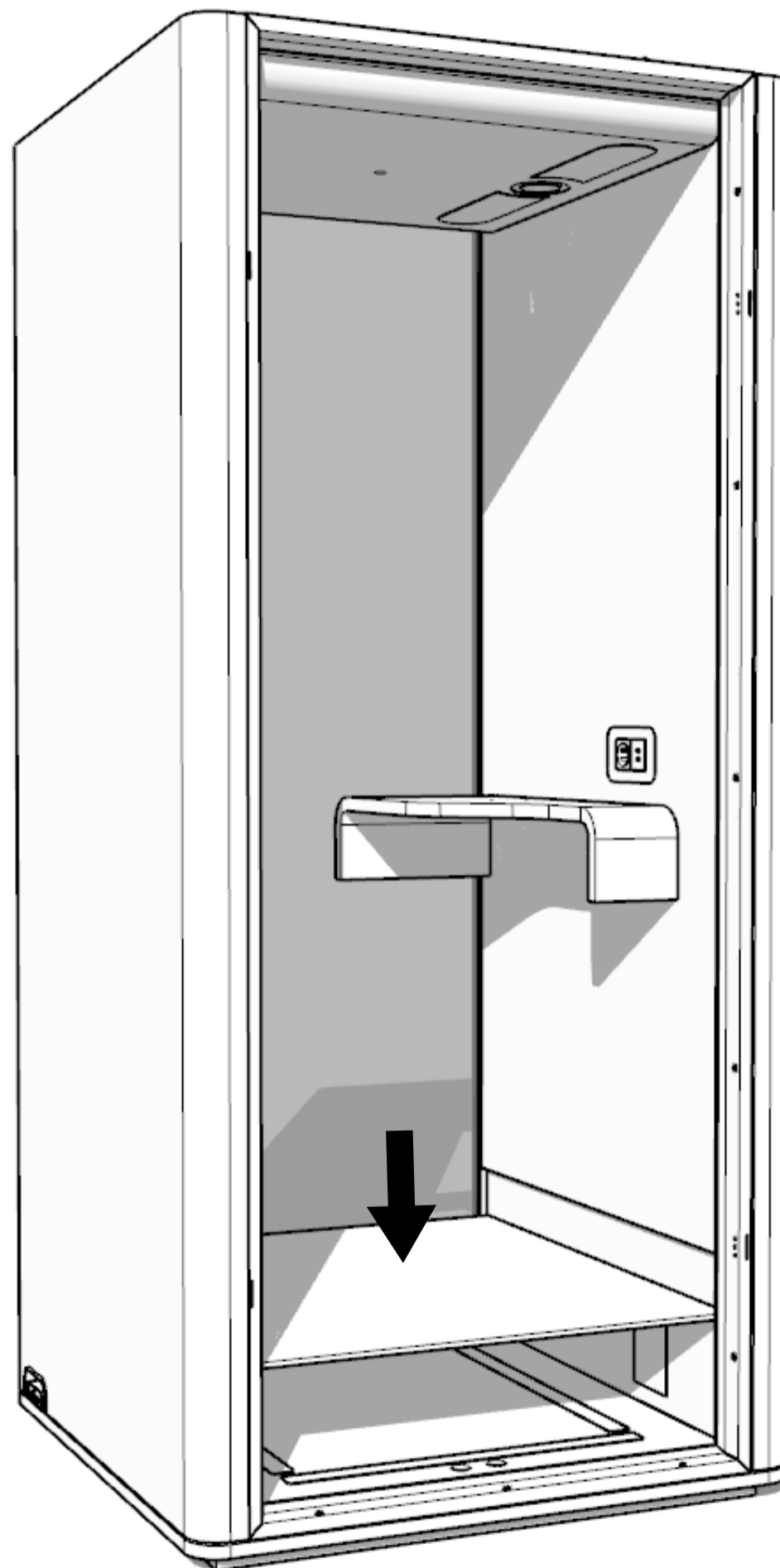
Ledge window side | NOT door side



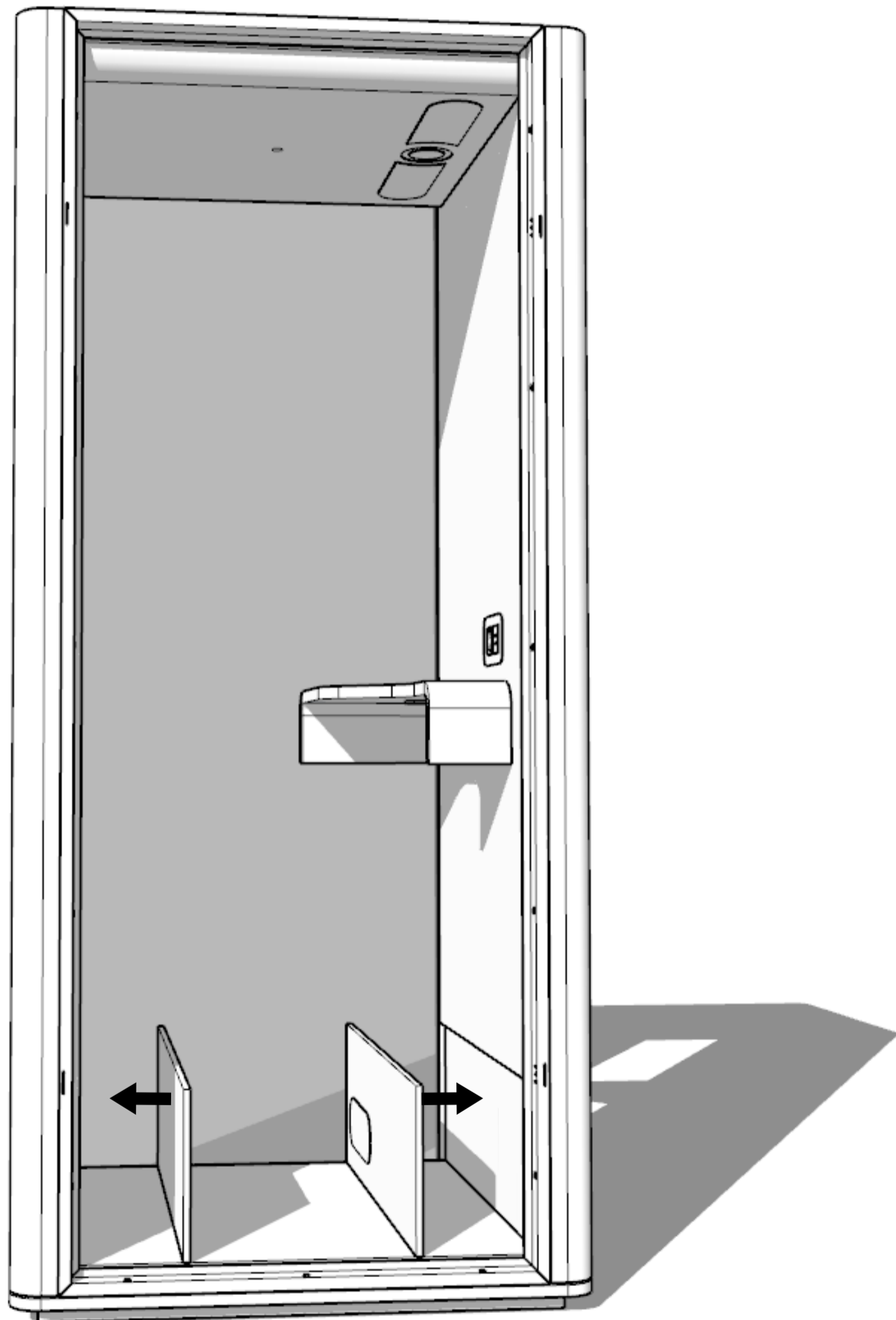
Open up tape



Place carpet

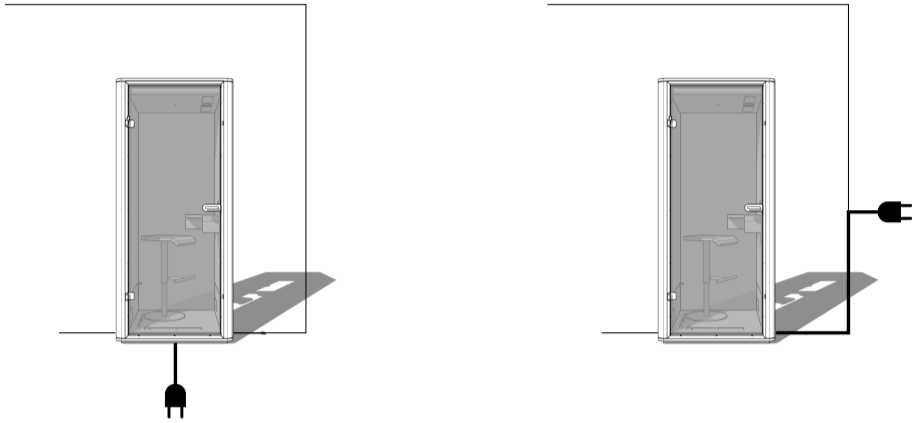


Place 2 bottom felt panels

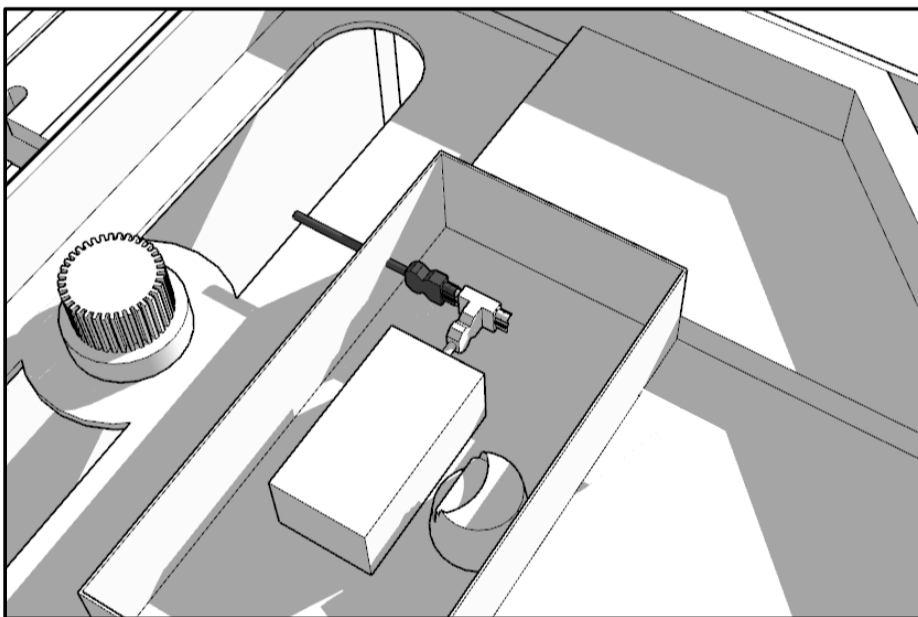


Connect Cables

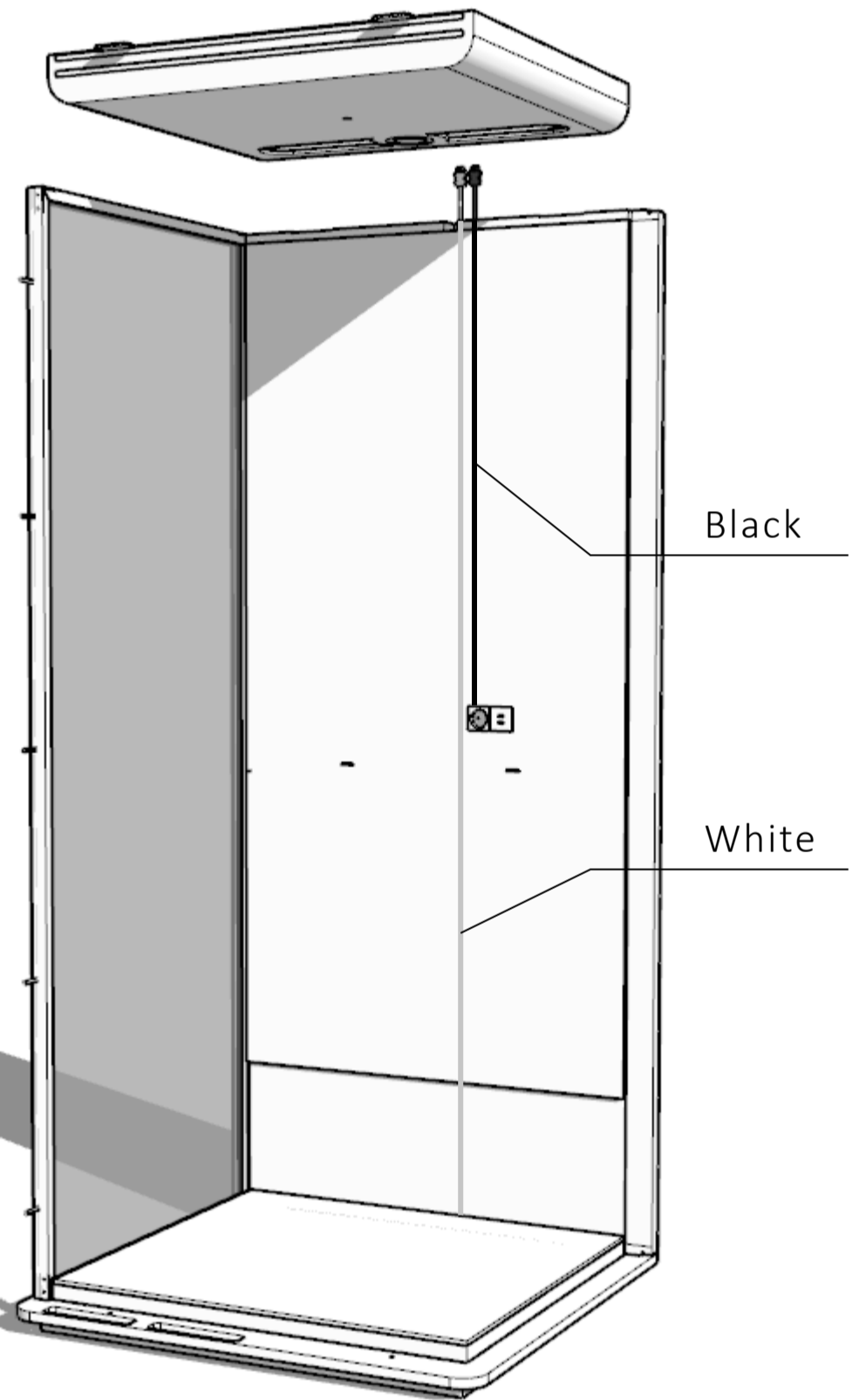
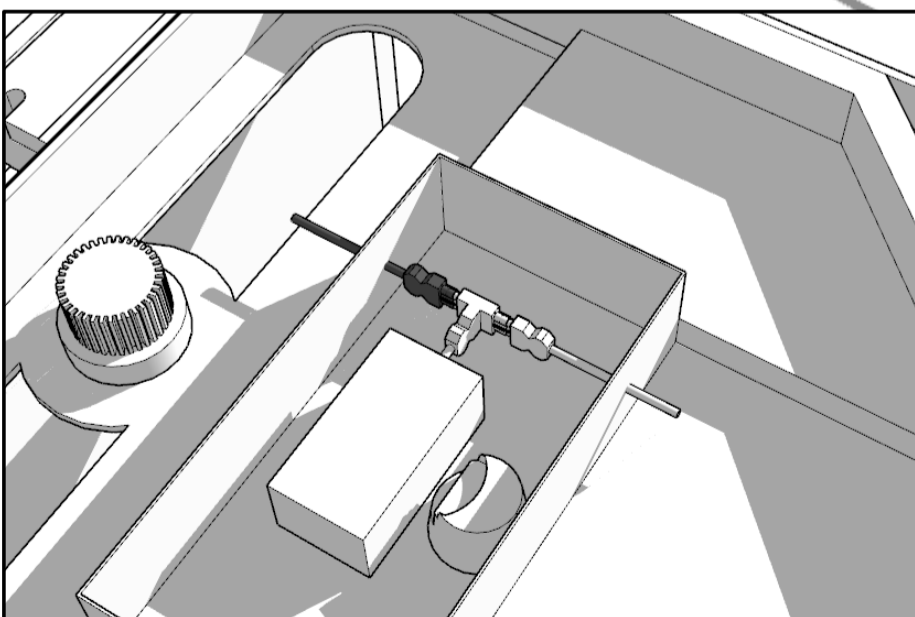
WHEN CABLE COMES FROM THE BOTTOM OF THE CALL



01 | Black to socket



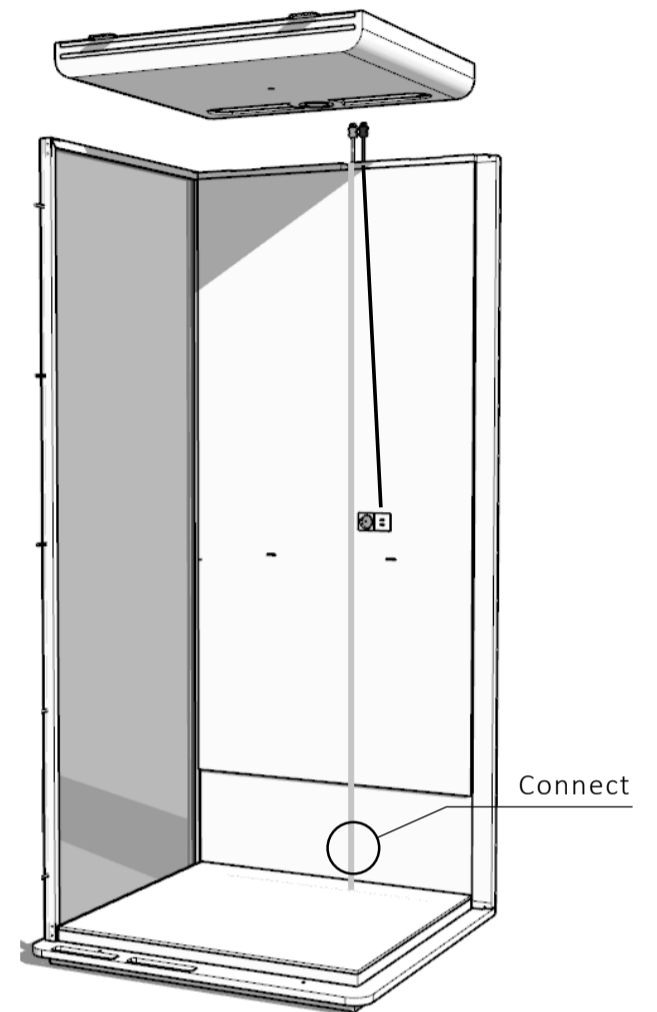
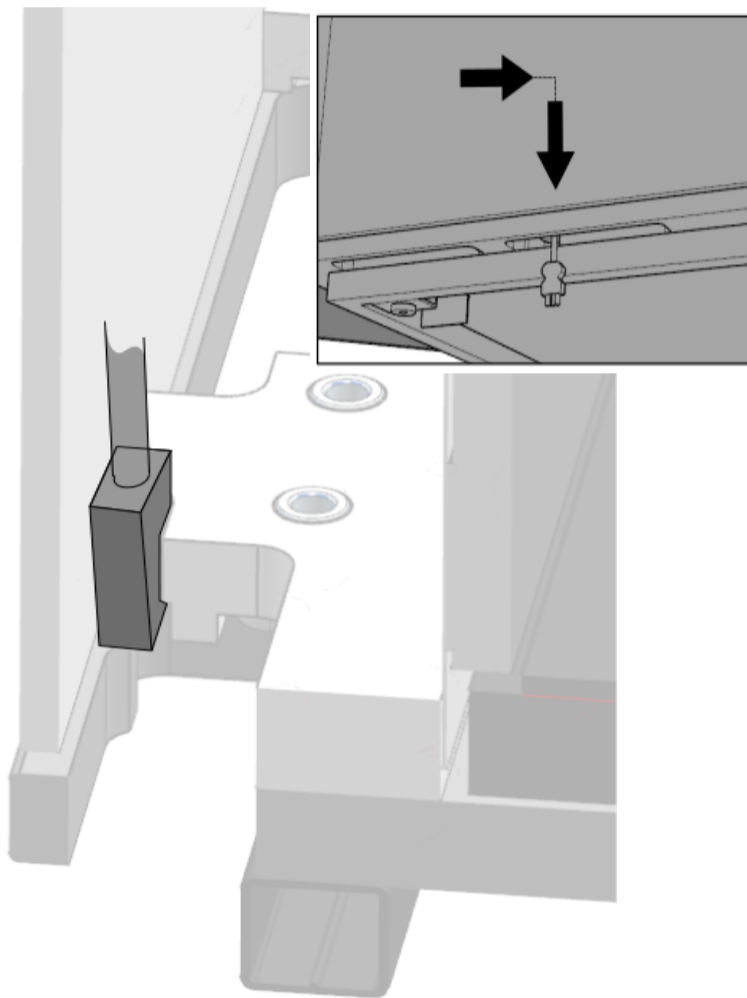
02 | White from bottom Call



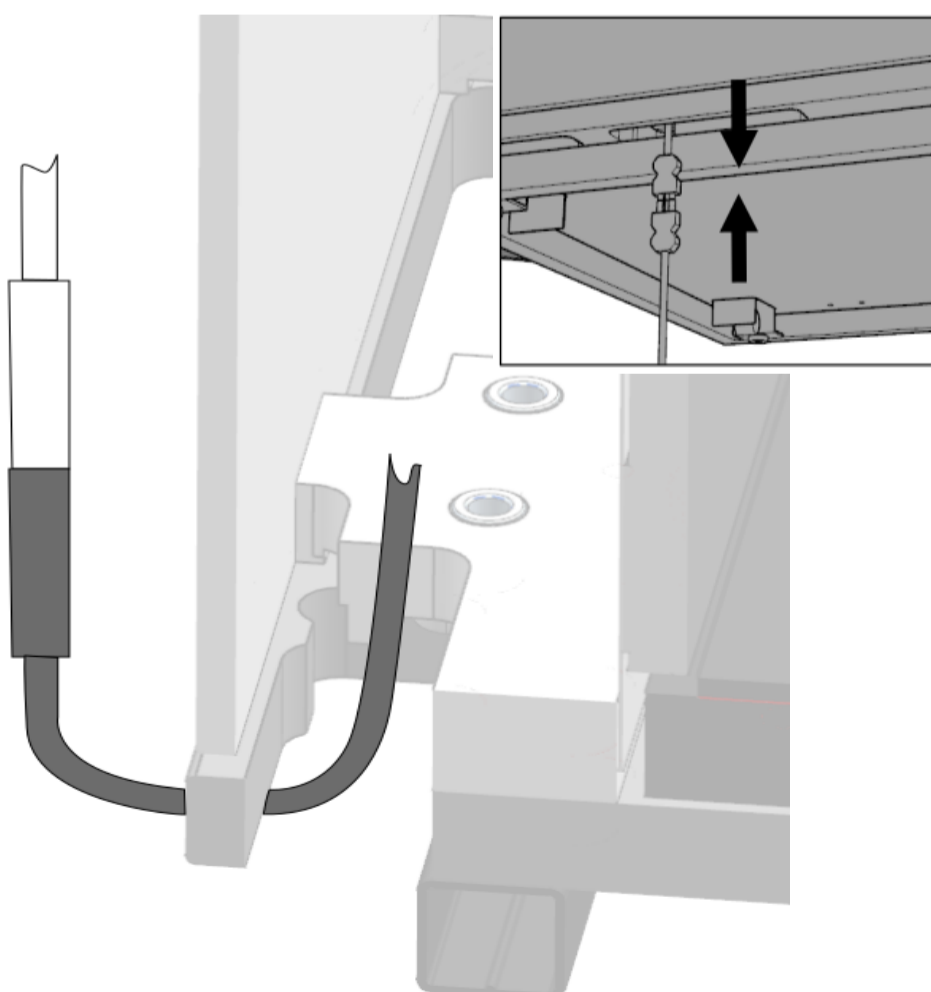
Connect Cables

WHEN CABLE COMES FROM THE BOTTOM OF THE CALL

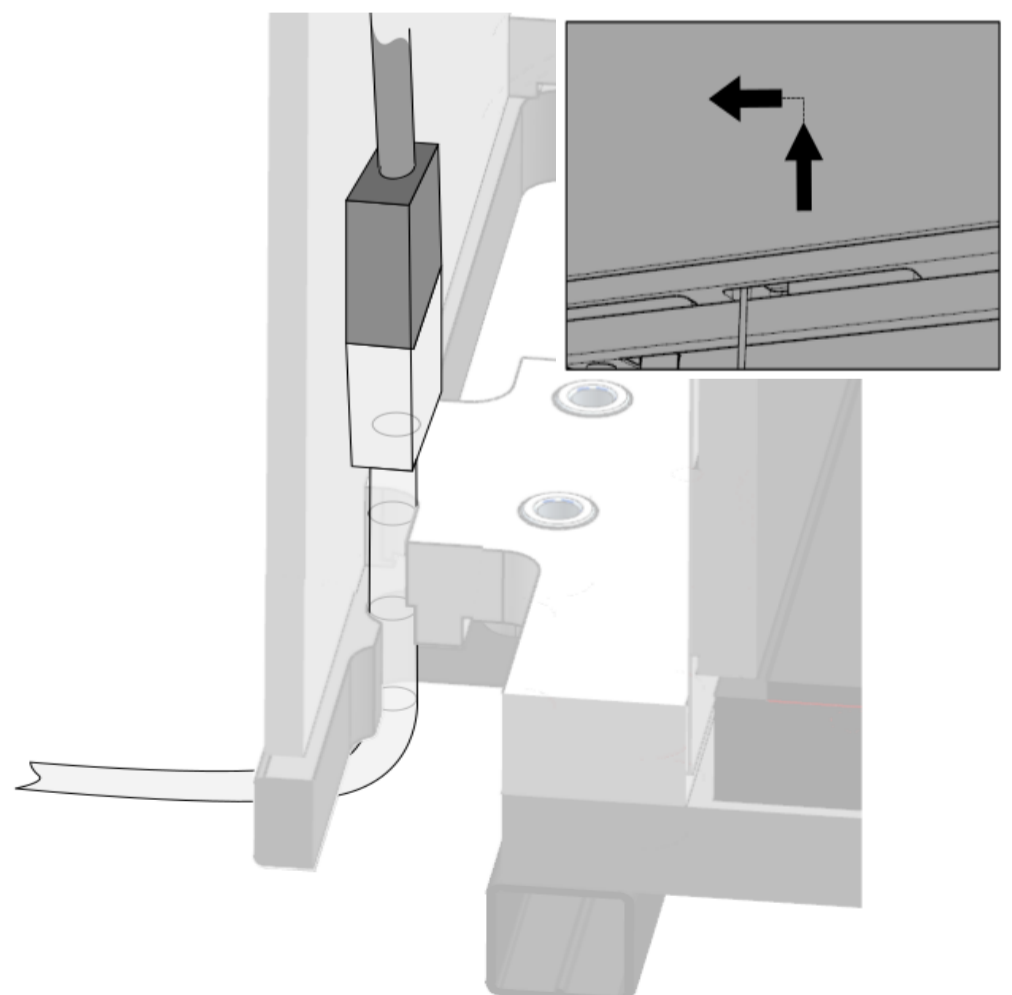
01 | Pull out connector



02 | Plug in connectors

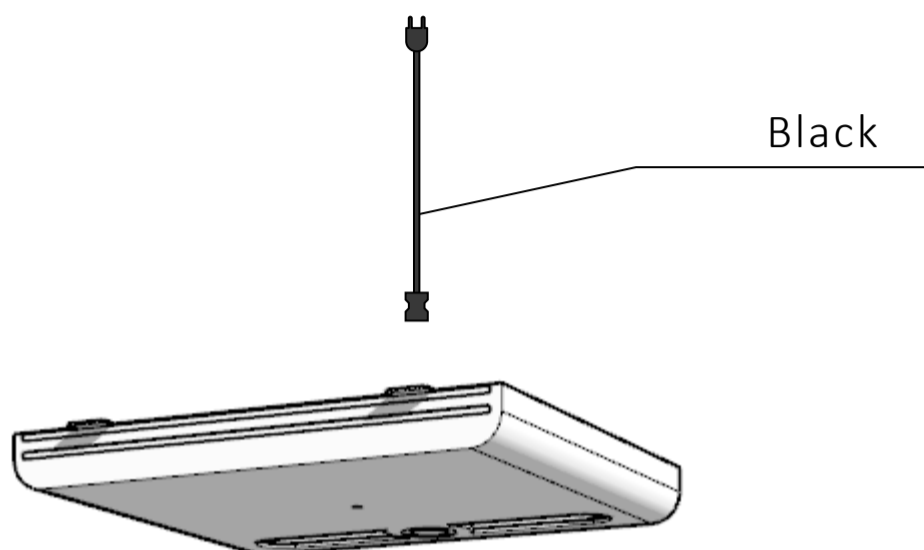
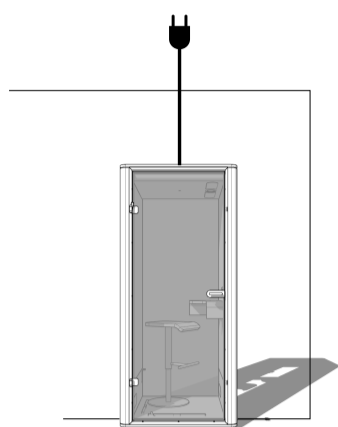


03 | Tugg connectors in wall

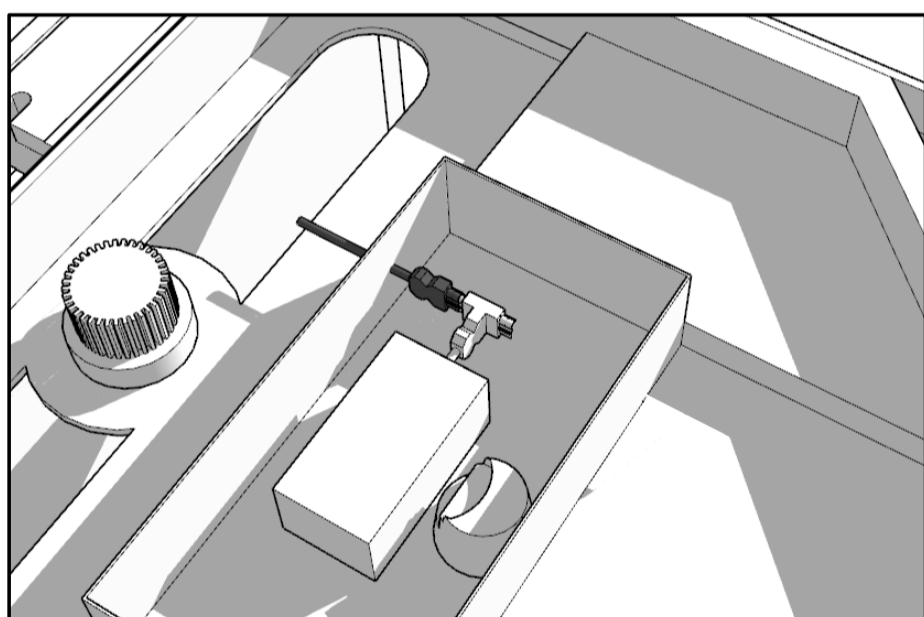


Connect Cables

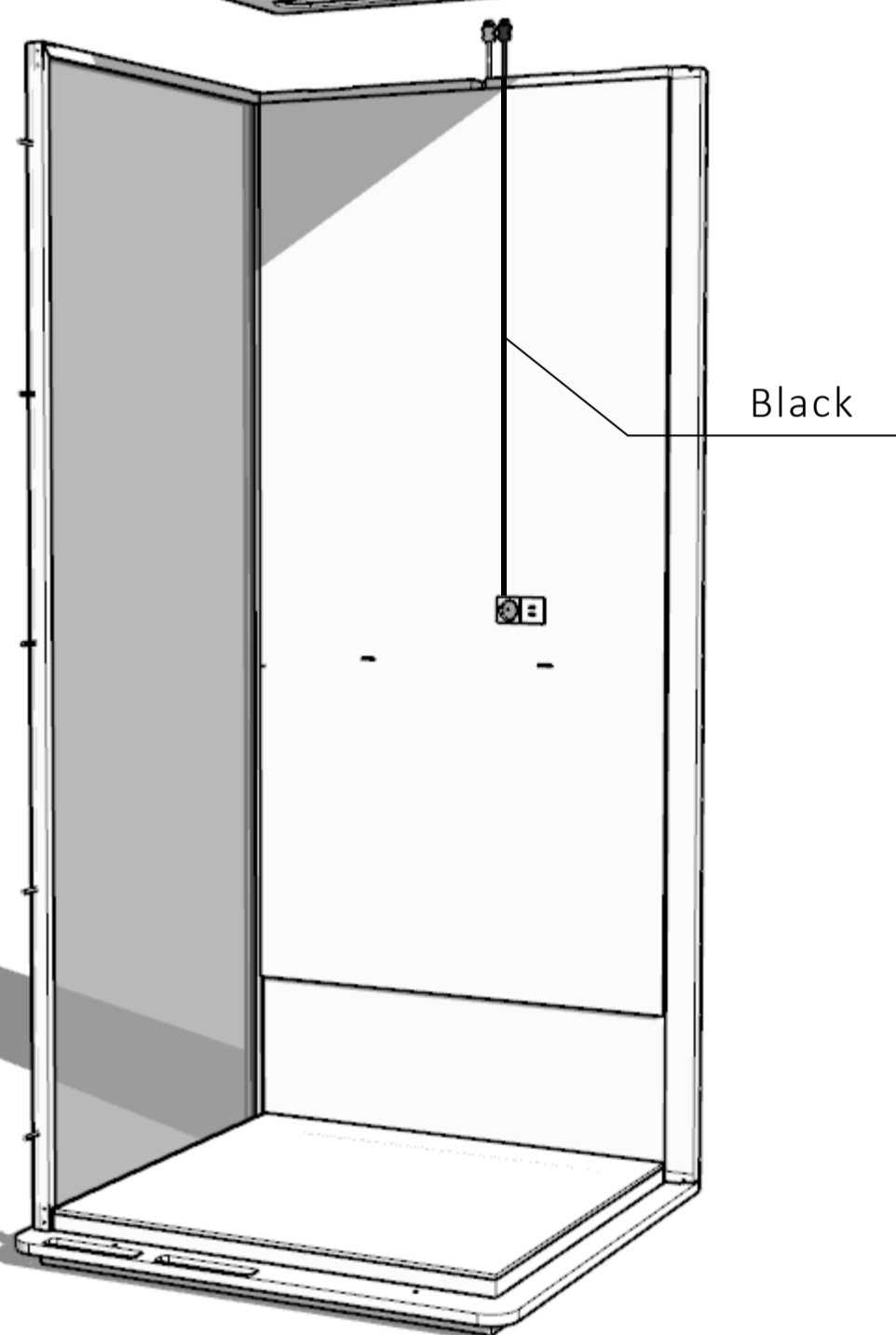
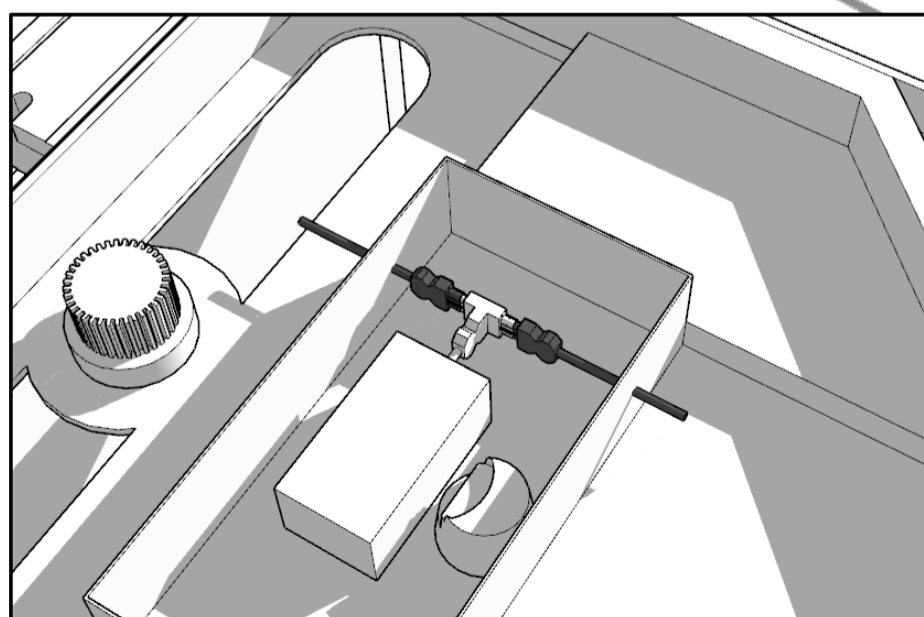
WHEN CABLE COMES FROM THE TOP OF THE CALL



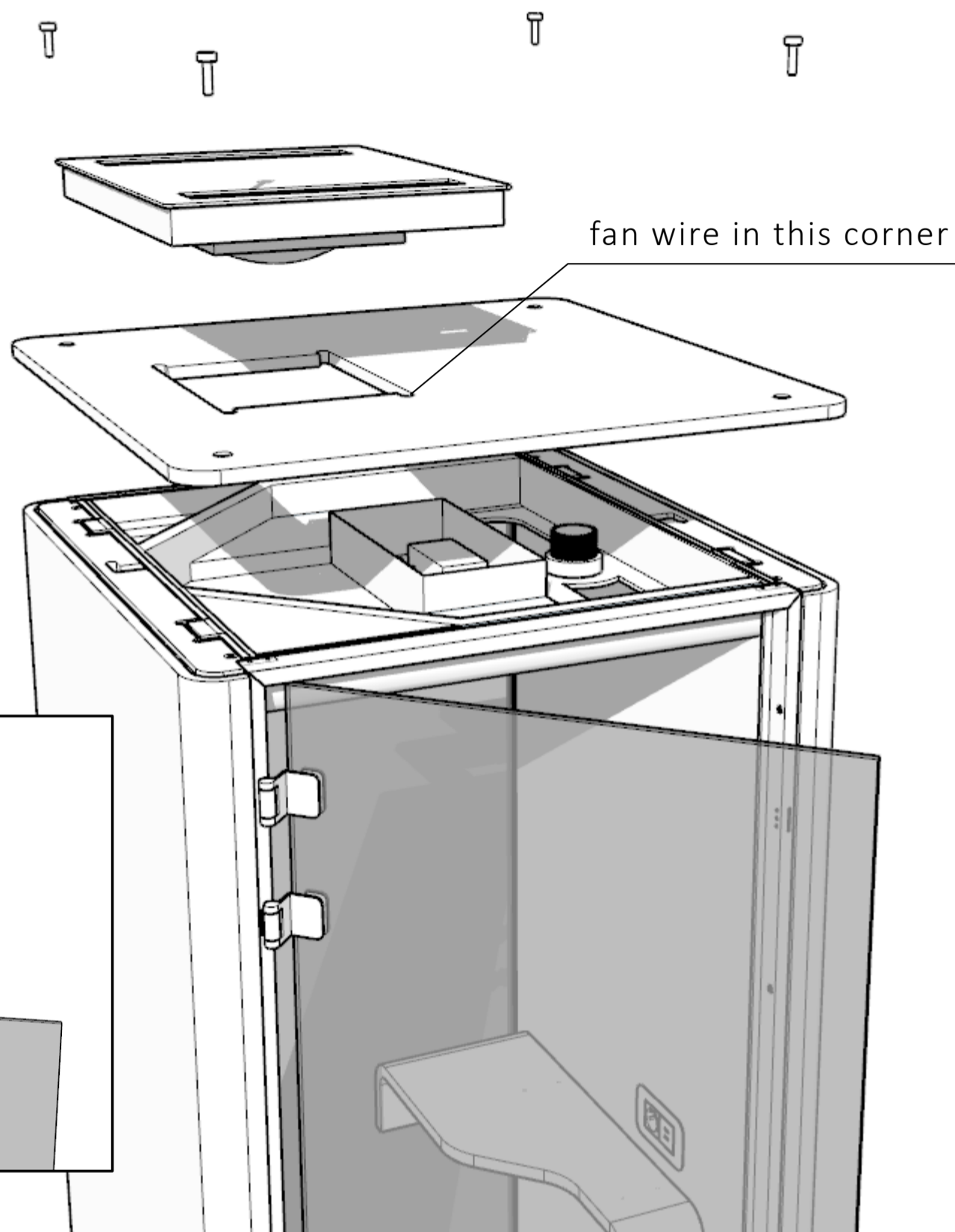
01 | Black to socket



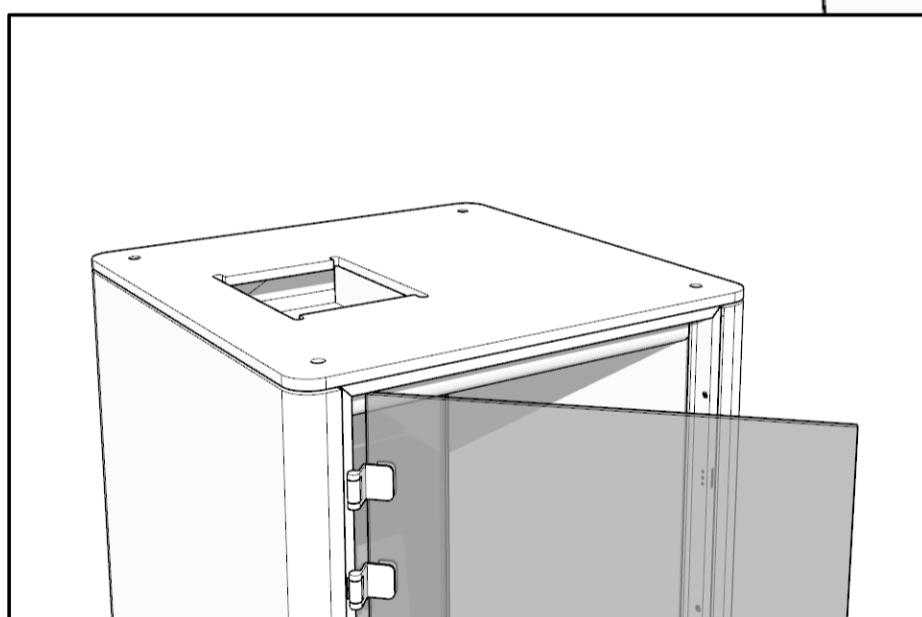
02 | Black from Top



Connect fan & place ceiling

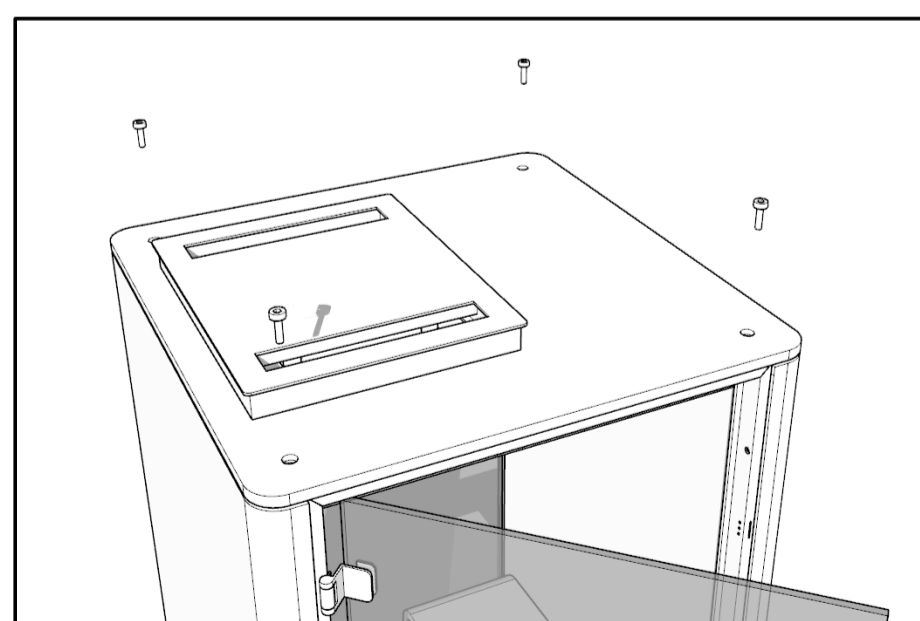
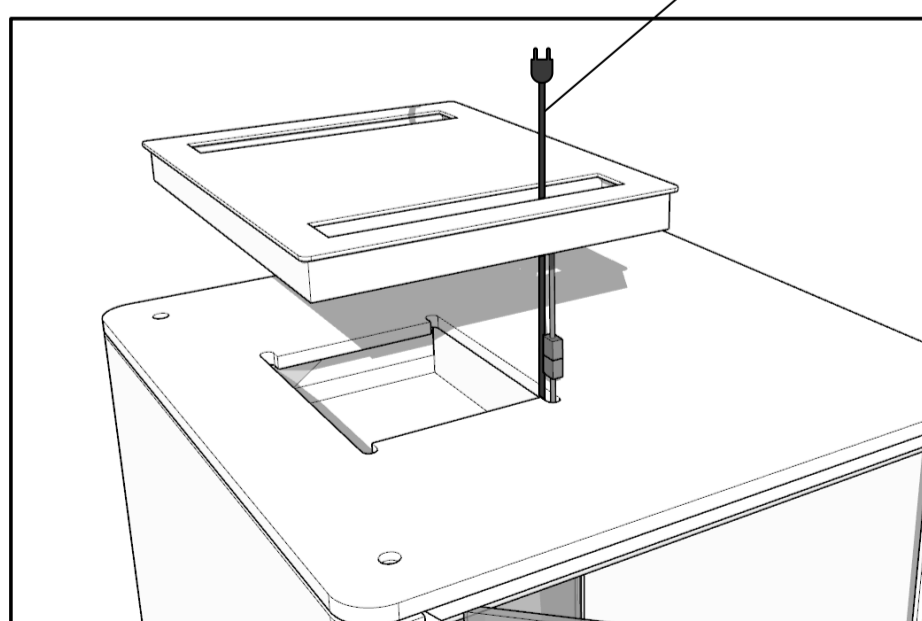


01 | Drop top plate



02 | Connect fan

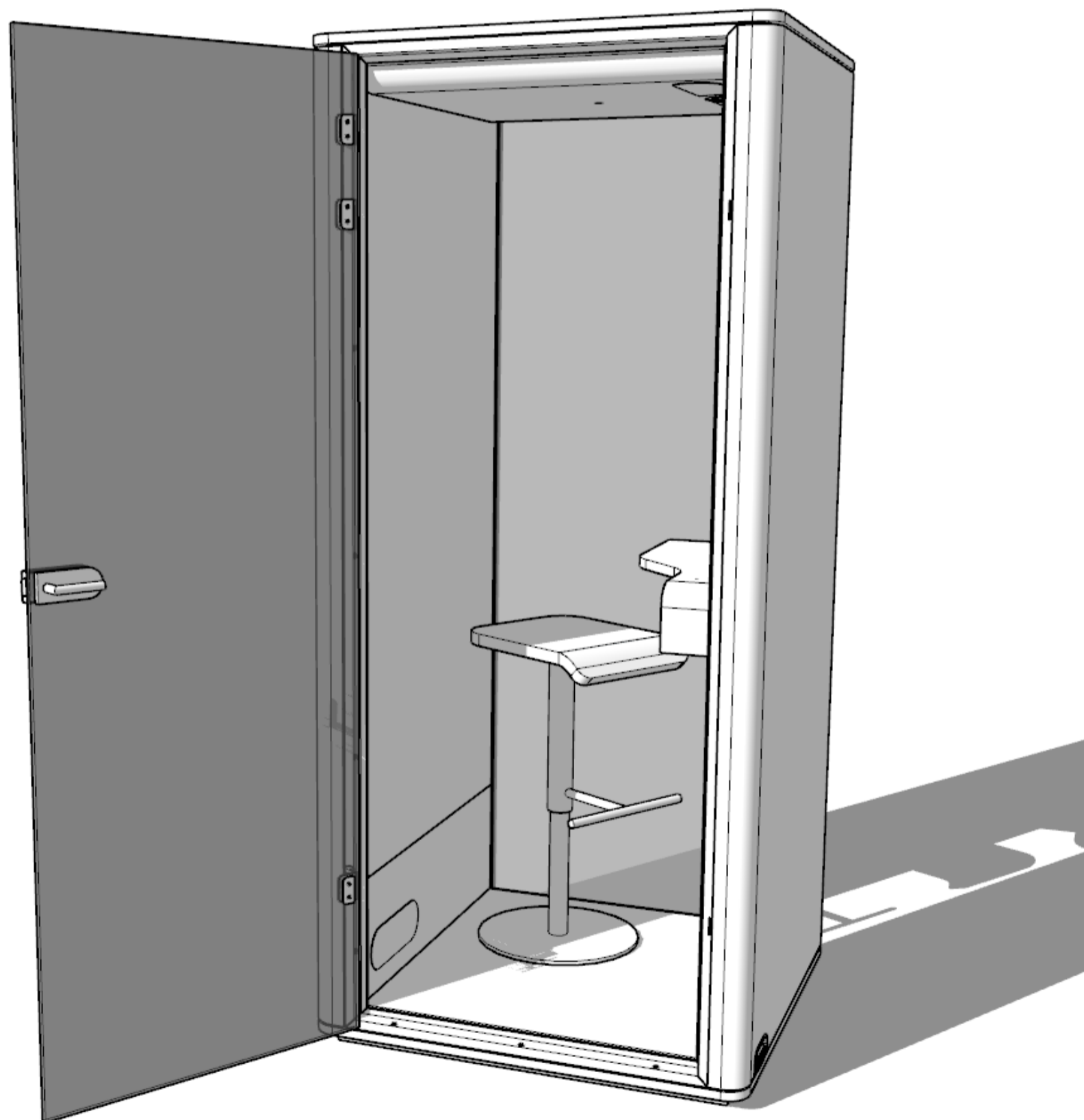
When power from top is being installed, run the cable through the opening of the housing.



4 x M10 x 35 & Washer 18 mm

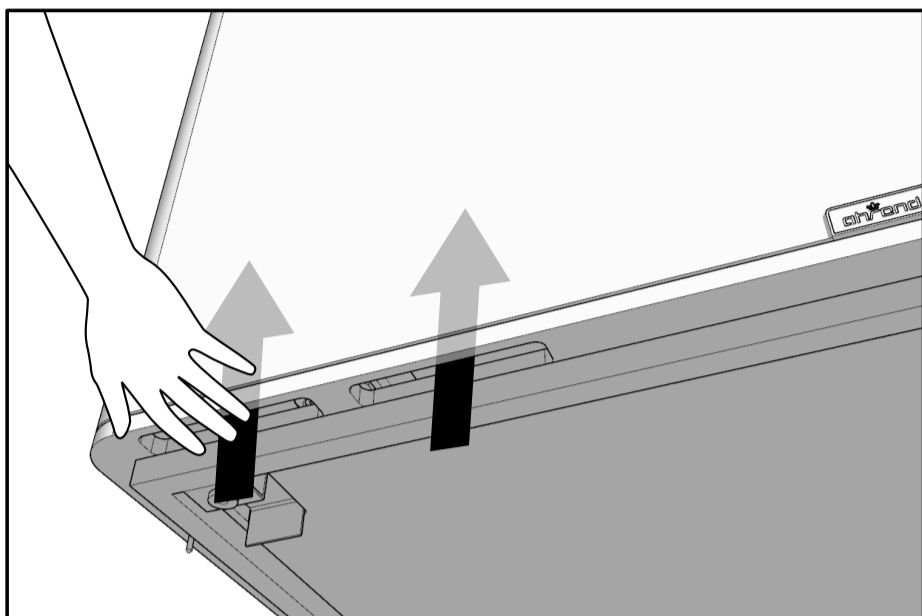
SW8

Place chair

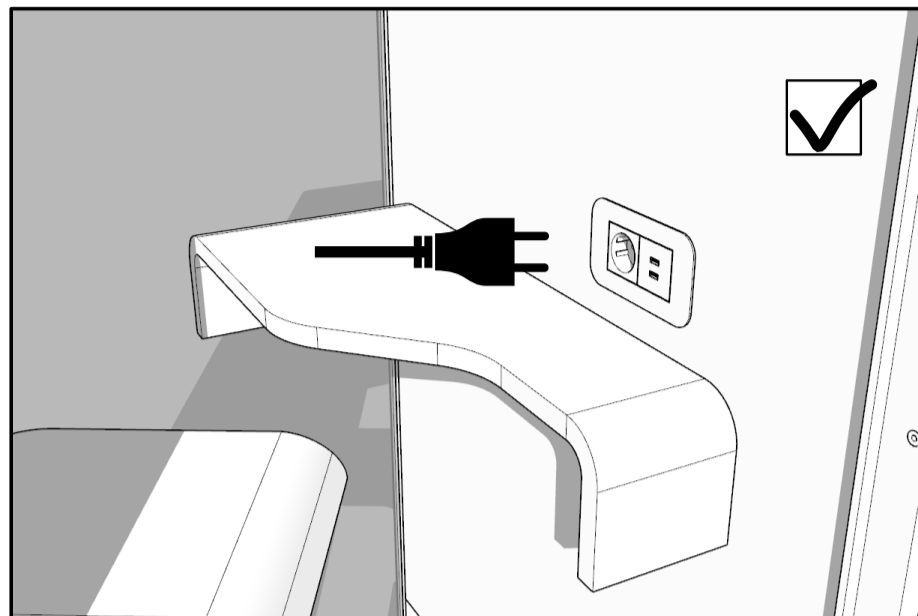


Checklist after installation

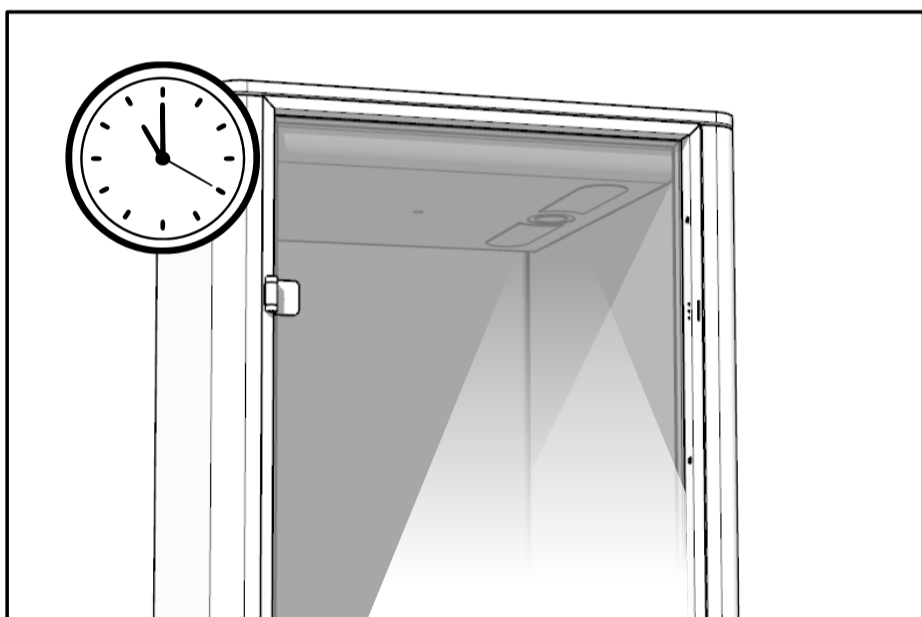
01 | Close door, check air flow



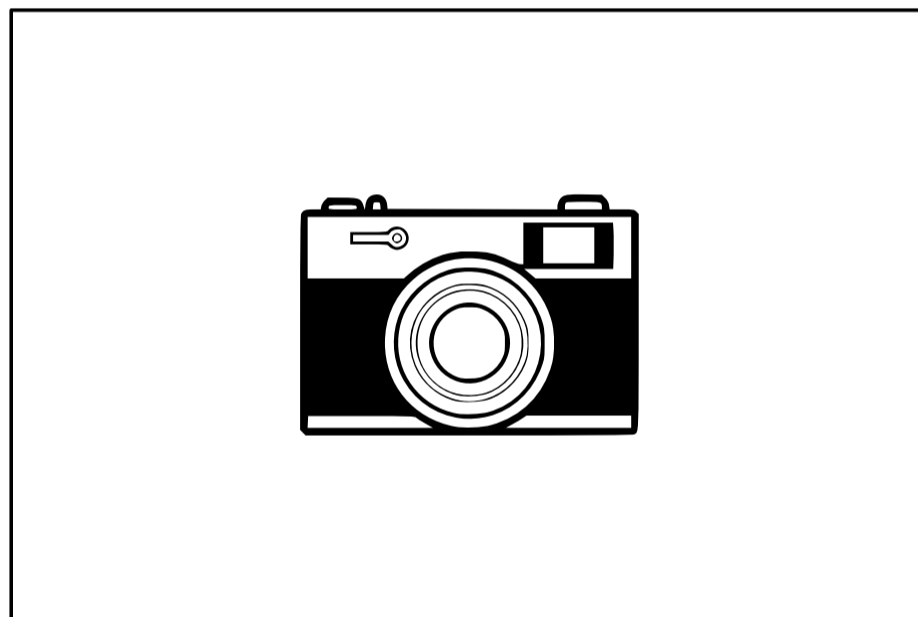
02 | Check for power



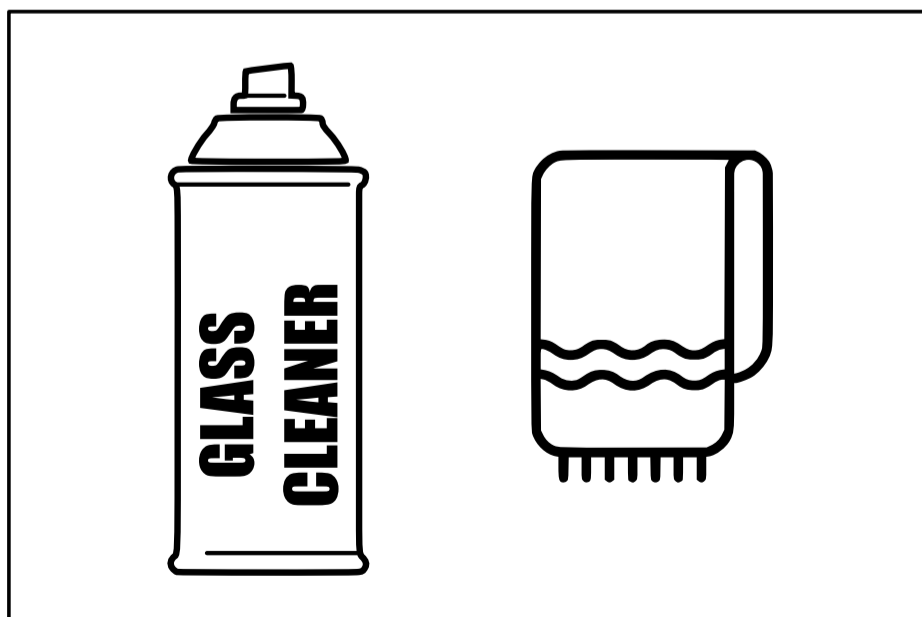
03 | Check light timer (10 min)



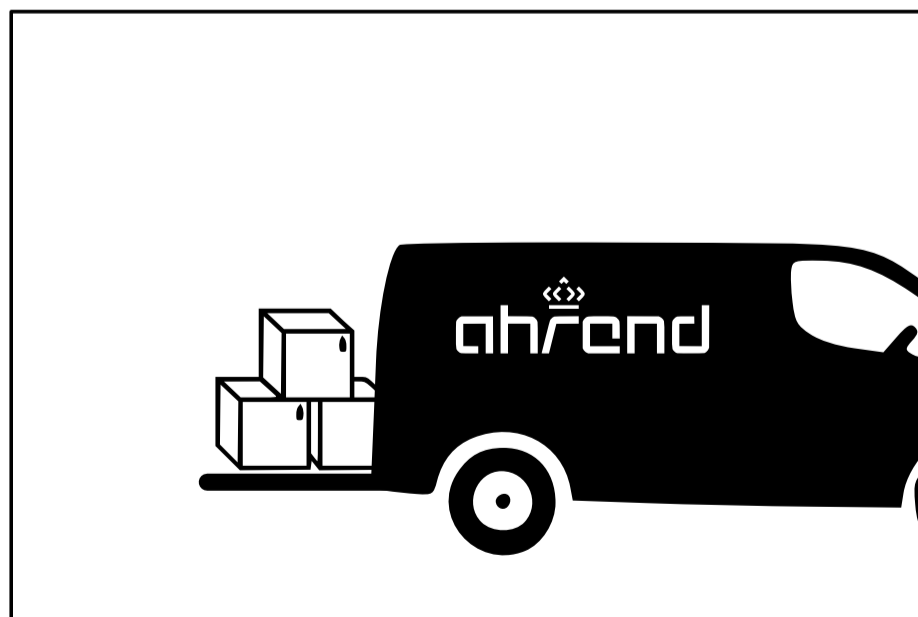
04 | Take pictures for reference



05 | Clean product



06 | Clean site



Notes

Notes