

Ahrend Qabin Chat

This Manual will help you build the perfect solution for a comfortable conversation...



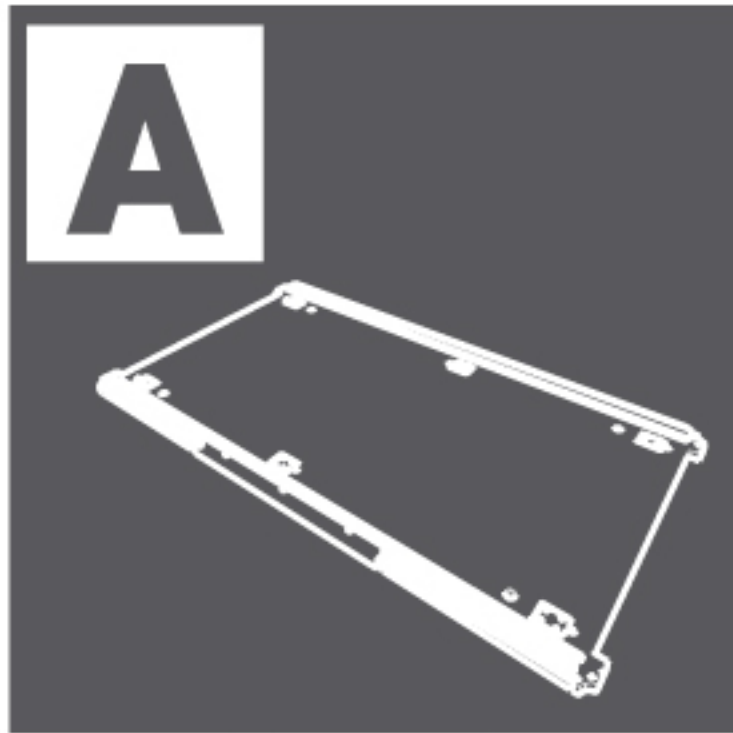
Ahrend Qabin Chat



WARNING

The protective blue film must stay on until the assembly has been completed.

Package contents



Floor x 1



Right wall x 1



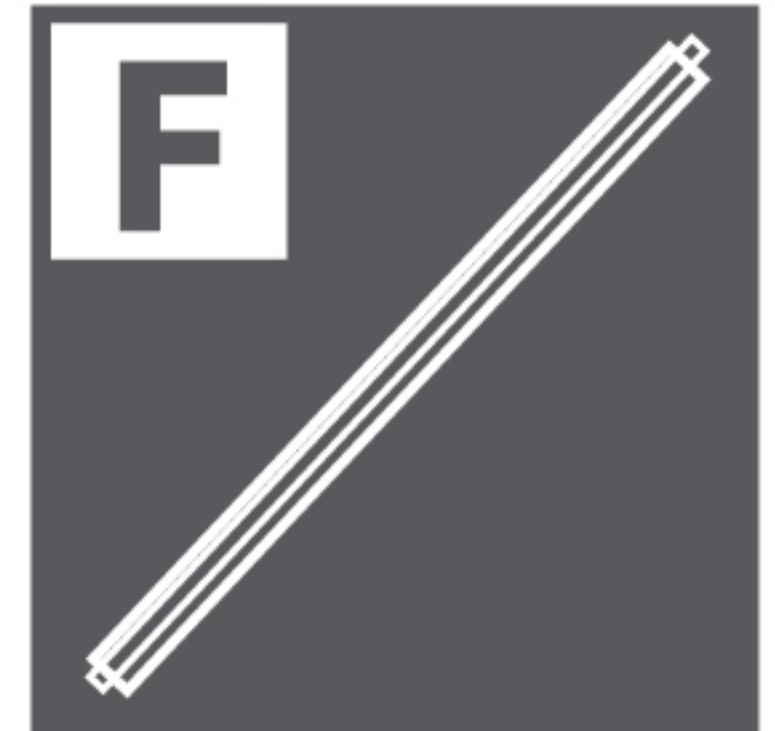
Left wall x 1



Ceiling x 1



Column R x 1



Column L x 1



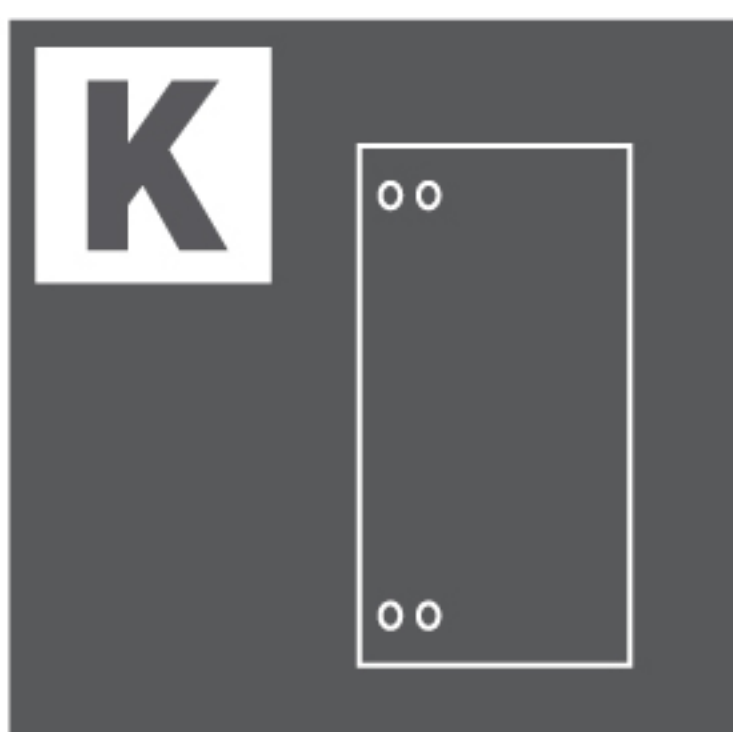
Fan x 2



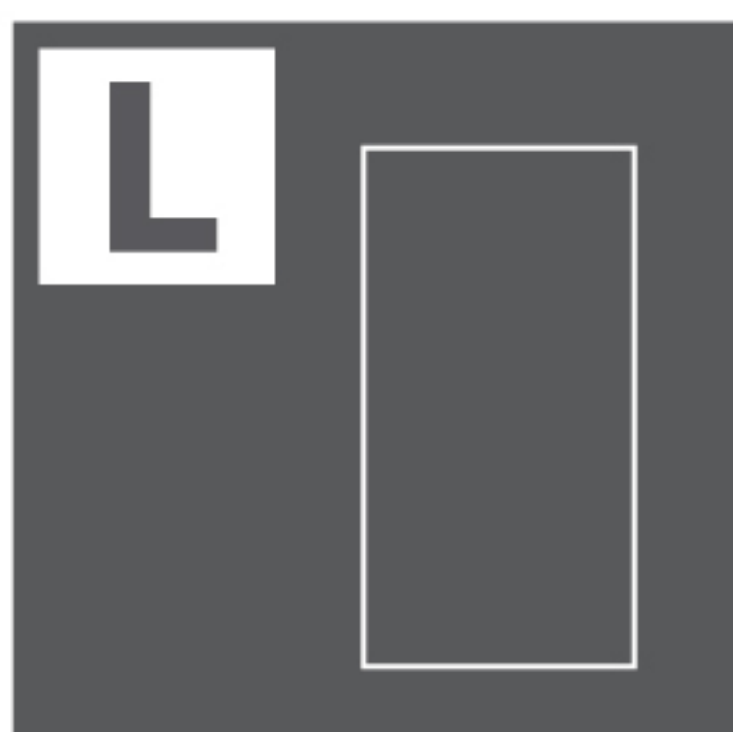
Components x 2



Hardware bag x 1



Glass door x 1



Windows glass x 3



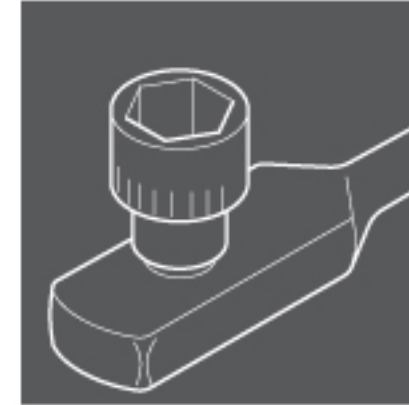
Front glass x 2

Ahrend Qabin Chat

Tools needed



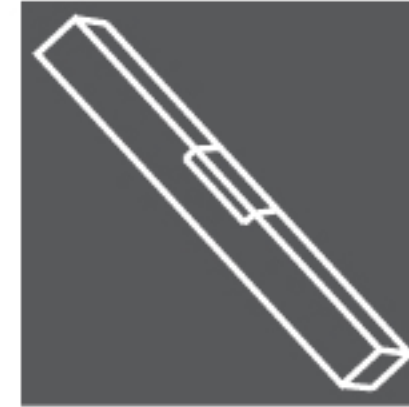
Powertool



Socket wrench SW10



Hexagon SW8



Levelling instrument



Ratchet wrench #16



Rolling tool



Glass carrier x 2



Flat head screwdriver



Glass cleaner



Rubber hammer



Ladder

Place & adjust the floor

Confirm placement and make sure the floor is perfectly level

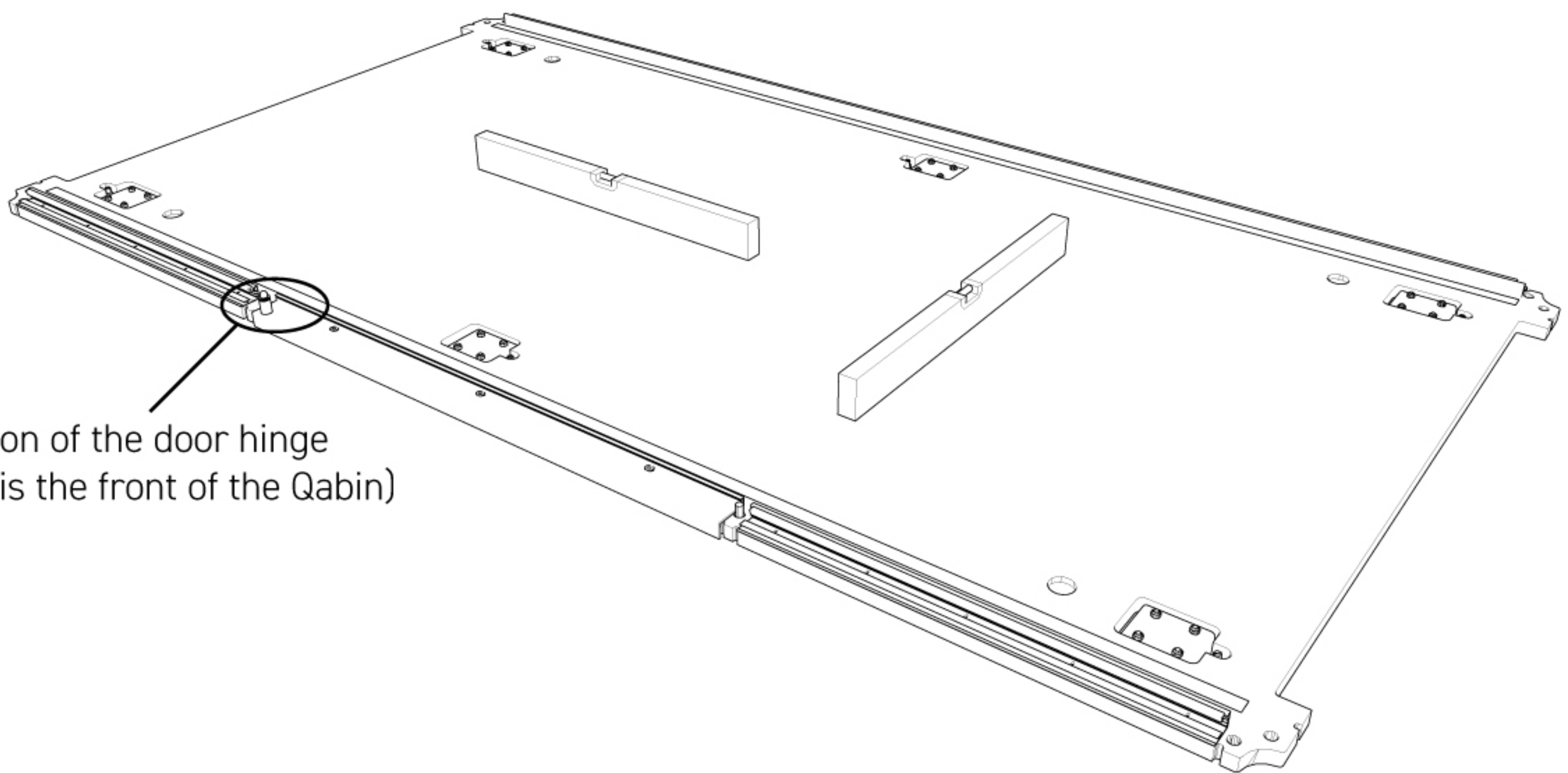
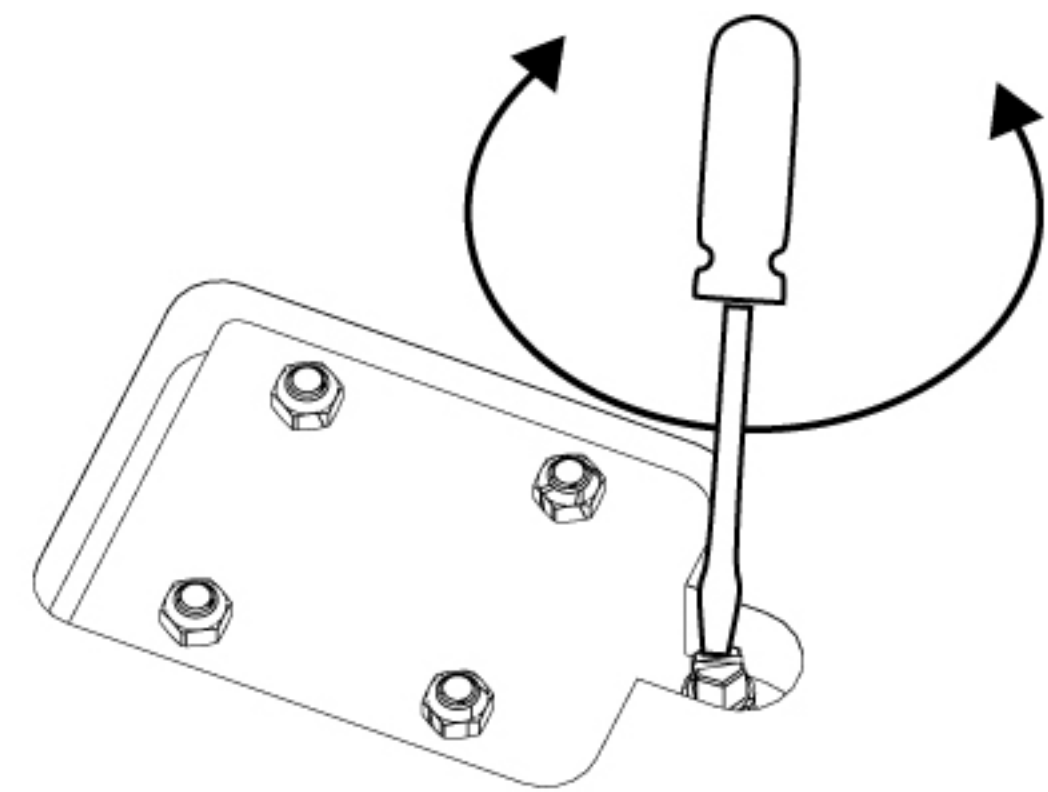
Tools needed



Flat head screwdriver

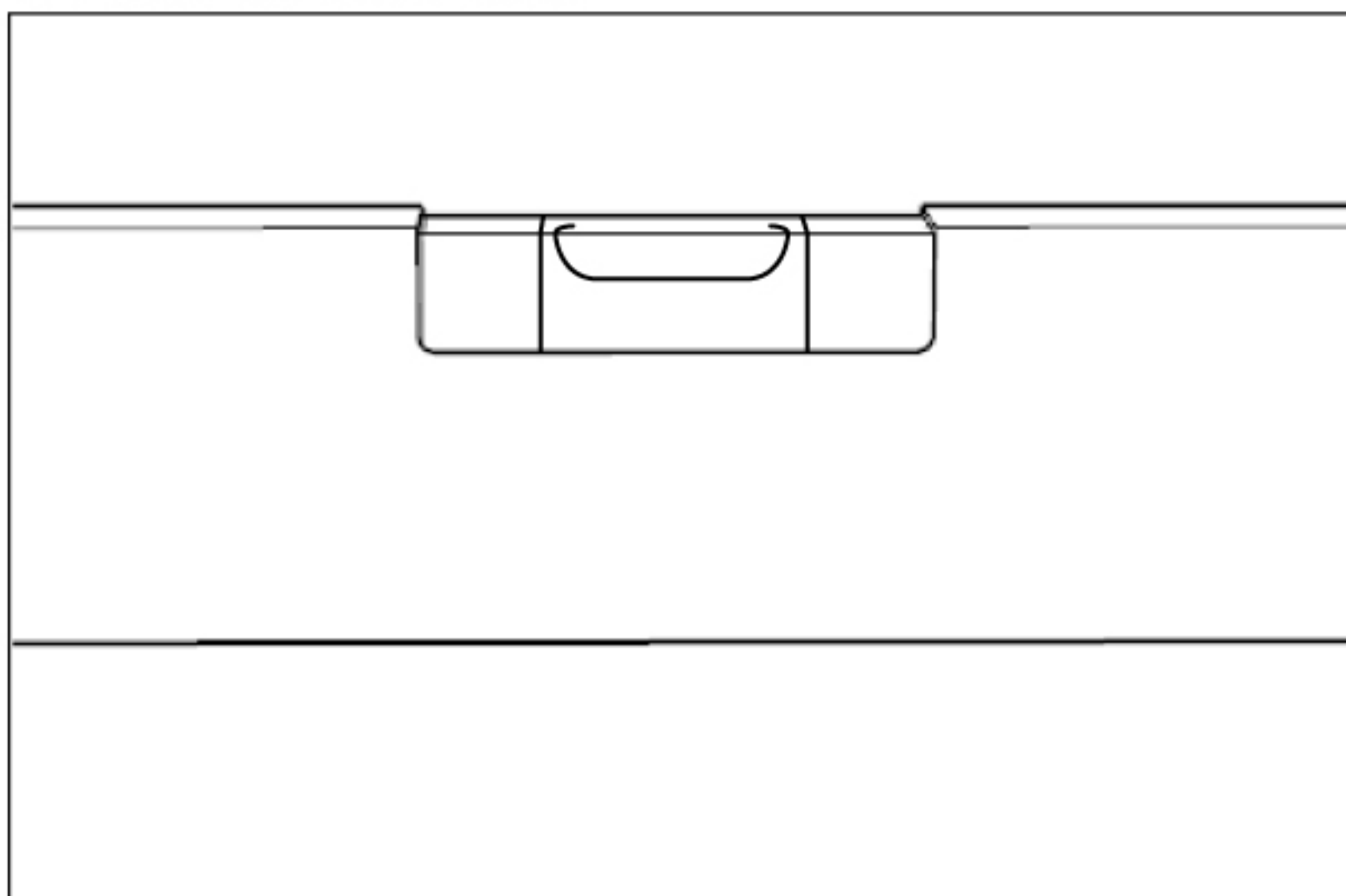


Levelling instrument

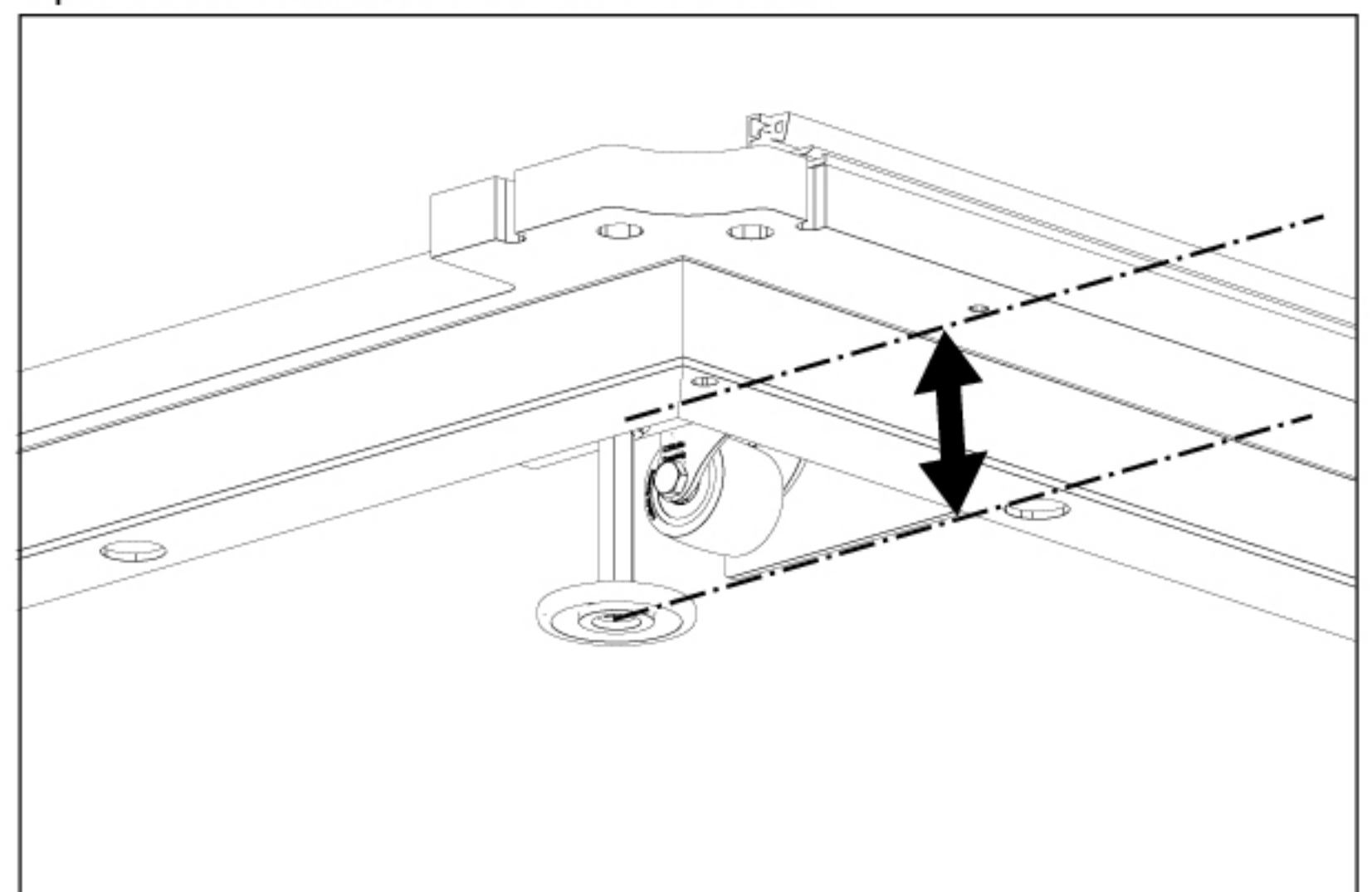


Position of the door hinge
(This is the front of the Qabin)

1. Make the floor level



2. Use a flat head screwdriver to make sure the optional wheels are off the floor



Place the left panel on the floor

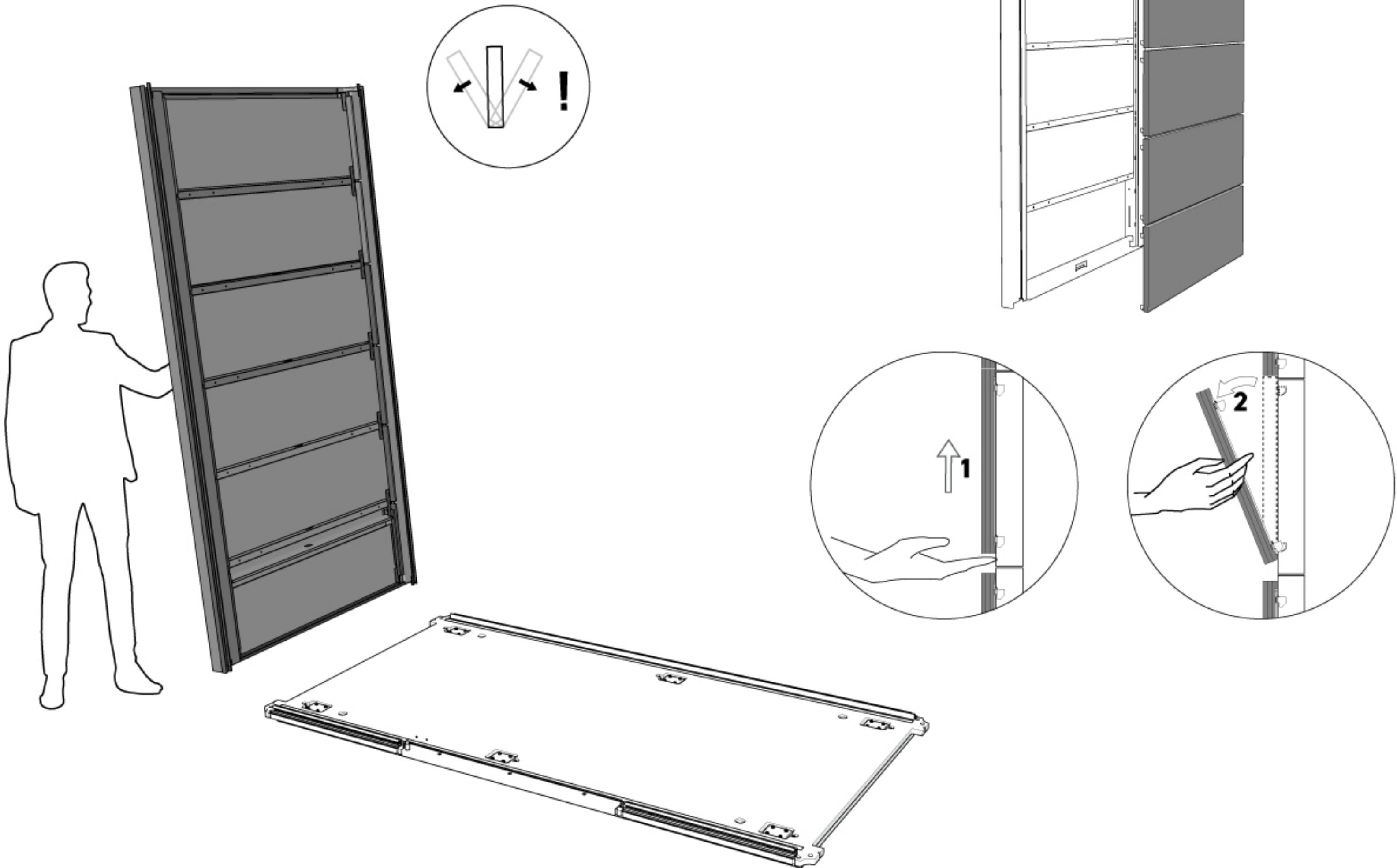
You can choose to install the wall panel with electrification on the left or right side, This manual shows installation on the right side

Remove all fabric panels to reduce the weight of the wall

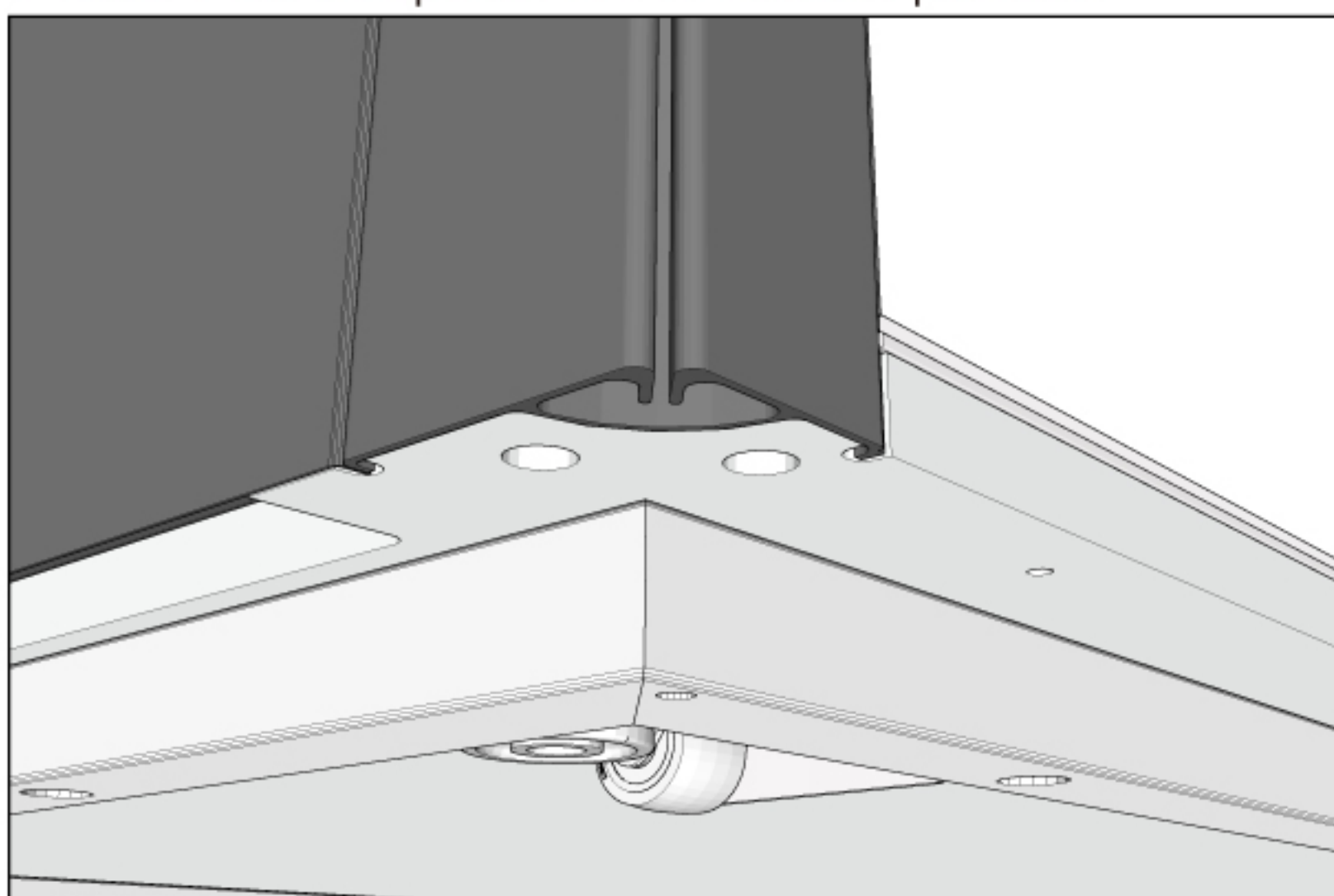
Tools needed



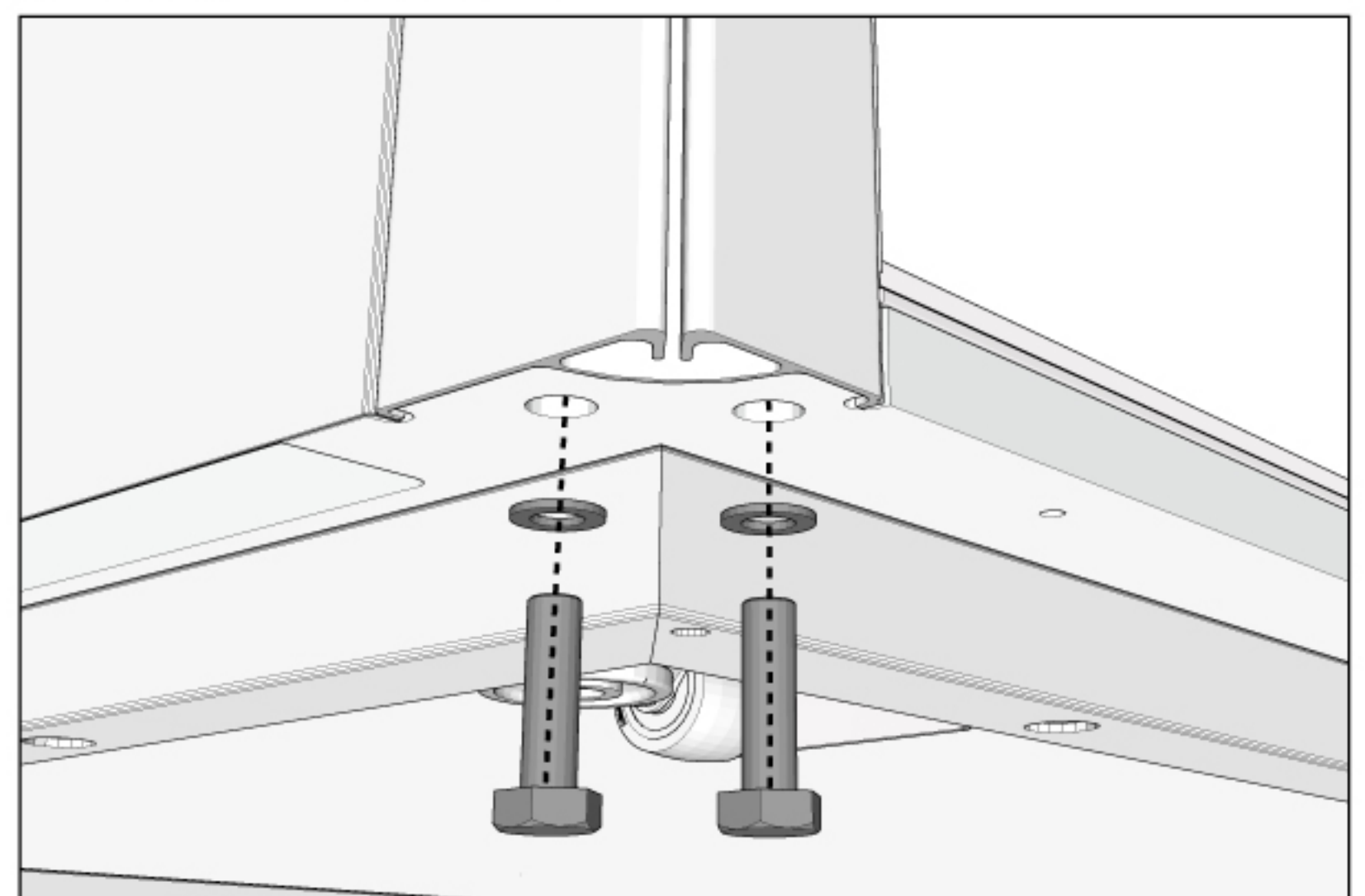
Ratchet wrench #16



1. Insert the left panel in the correct position



2. Use a ratchet wrench to fasten 4 x PCS #16 hex screws with washers



Ratchet wrench #16

Place the right panel on the floor

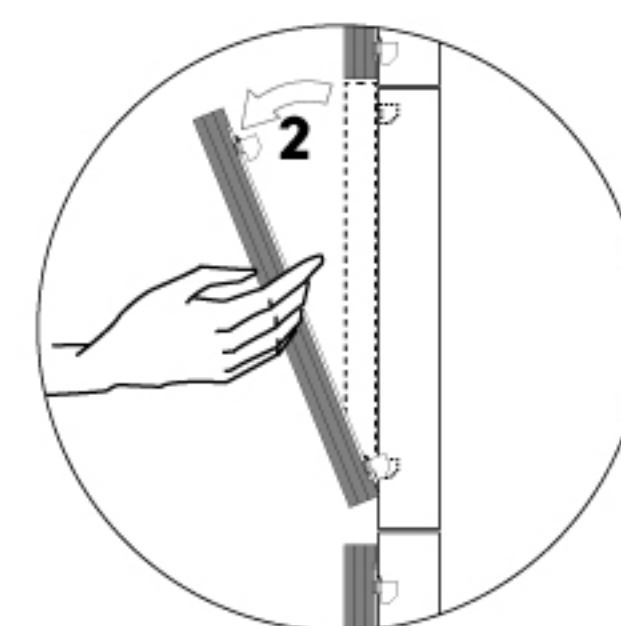
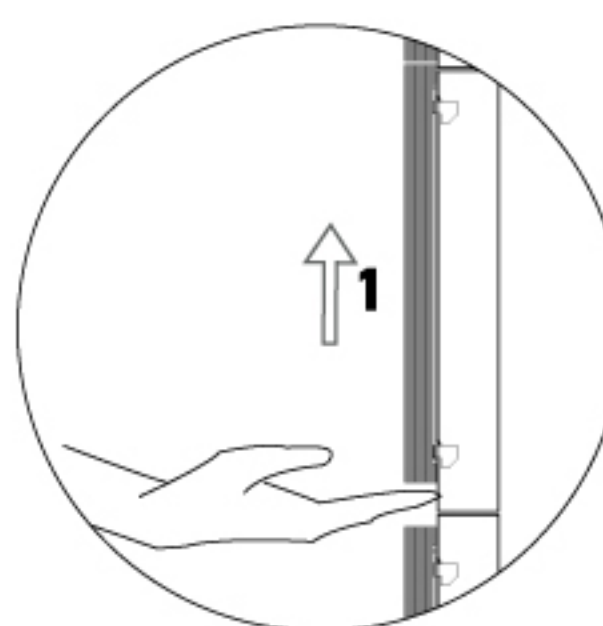
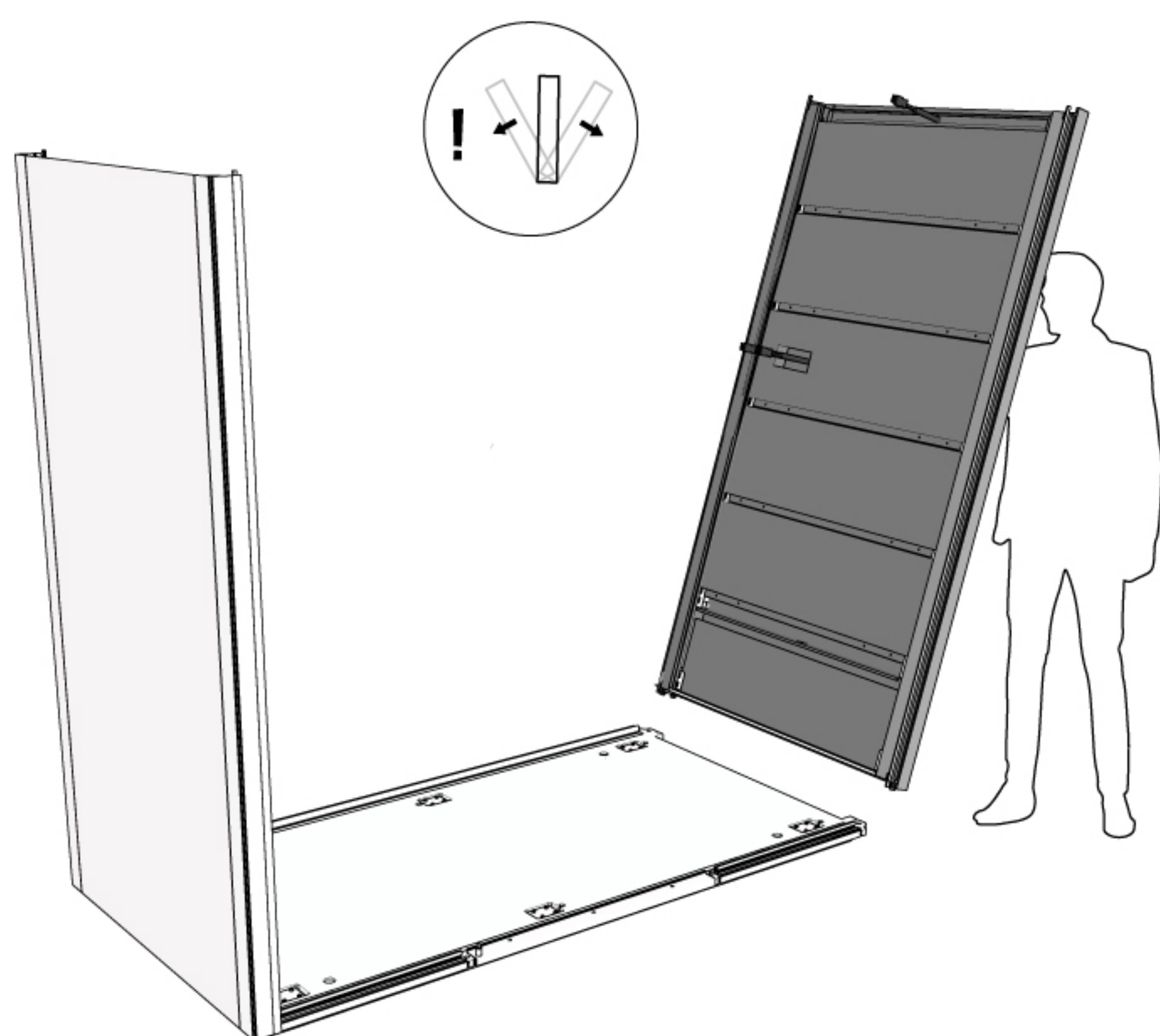
You can choose to install the wall panel with electrification on the left or right side, This manual shows installation on the right side

Tools needed

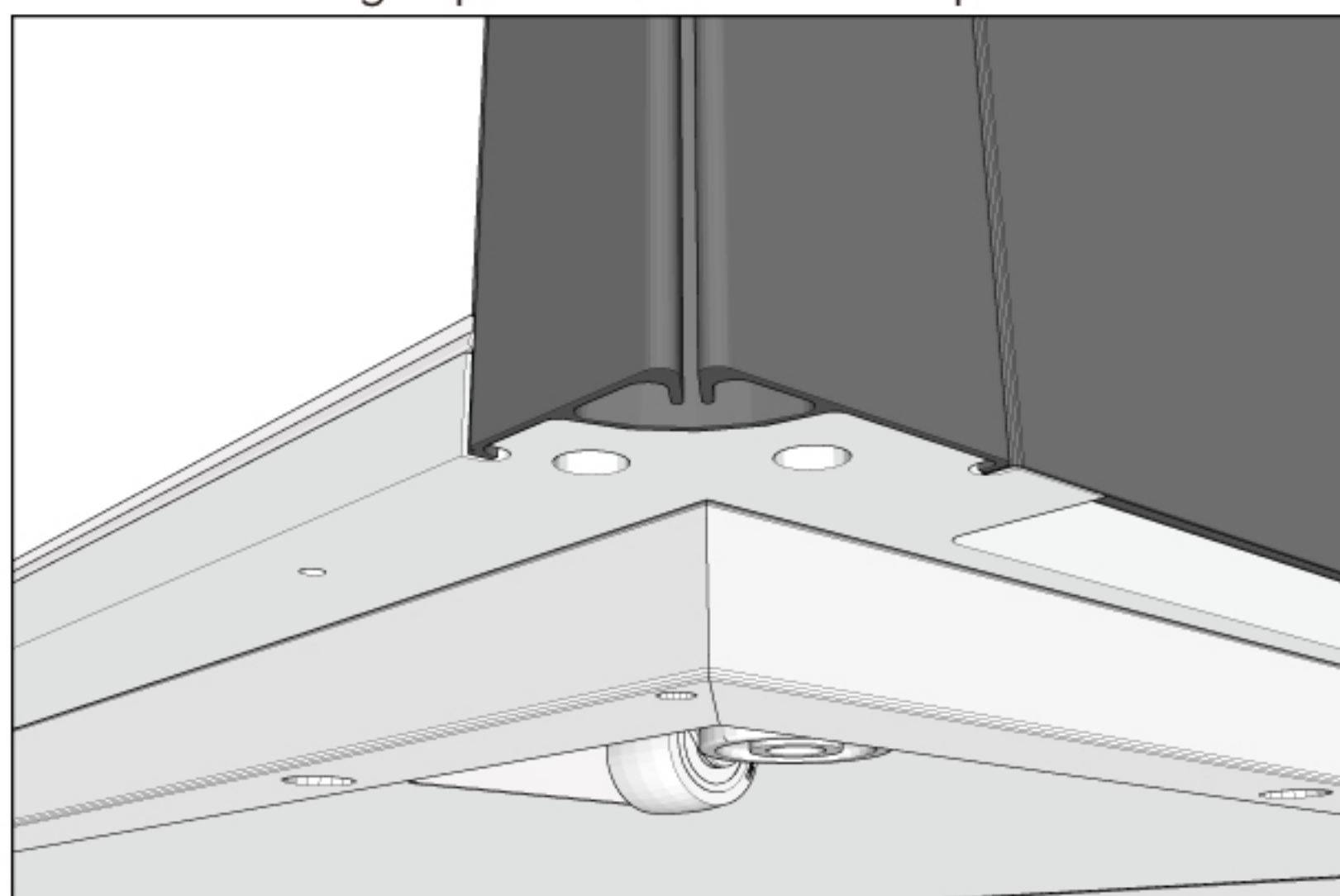


Ratchet wrench #16

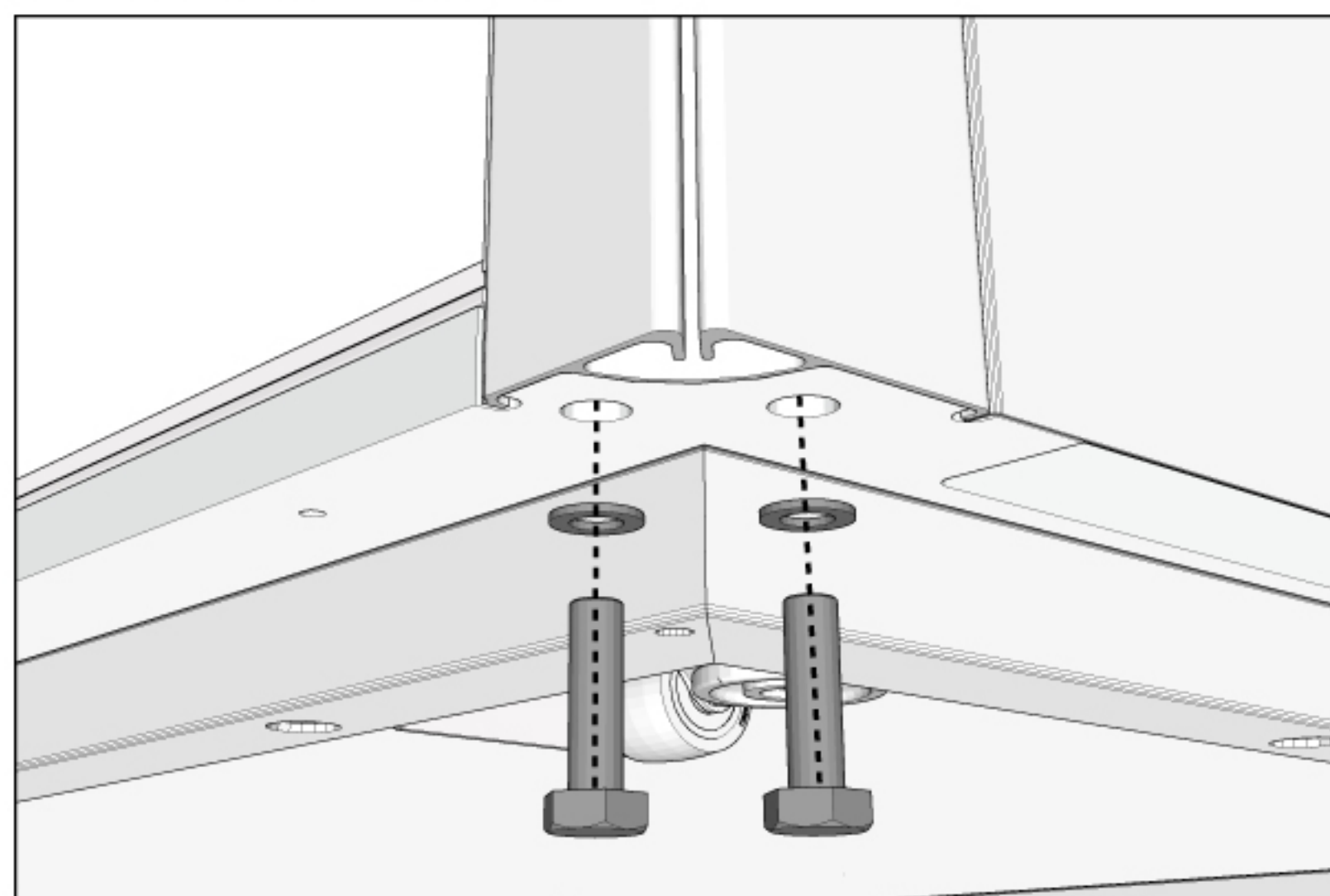
Remove all fabric panels to reduce the weight of the wall



1. Insert the right panel in the correct position



2. Use a ratchet wrench to fasten 4 x PCS #16 hex screws with washers



Ratchet wrench #16

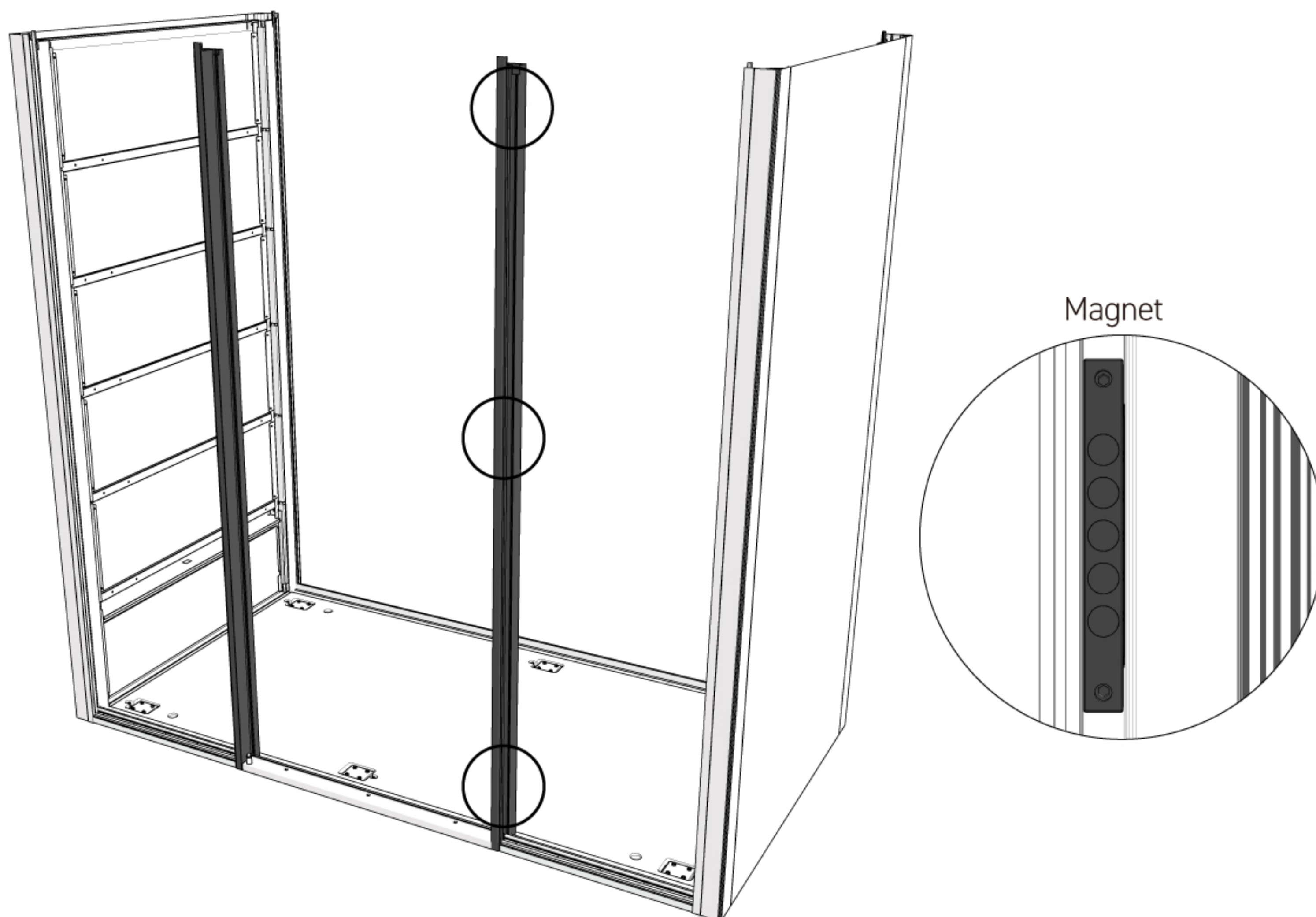
Place the door profiles

Pay attention to the left and right position of the door profiles

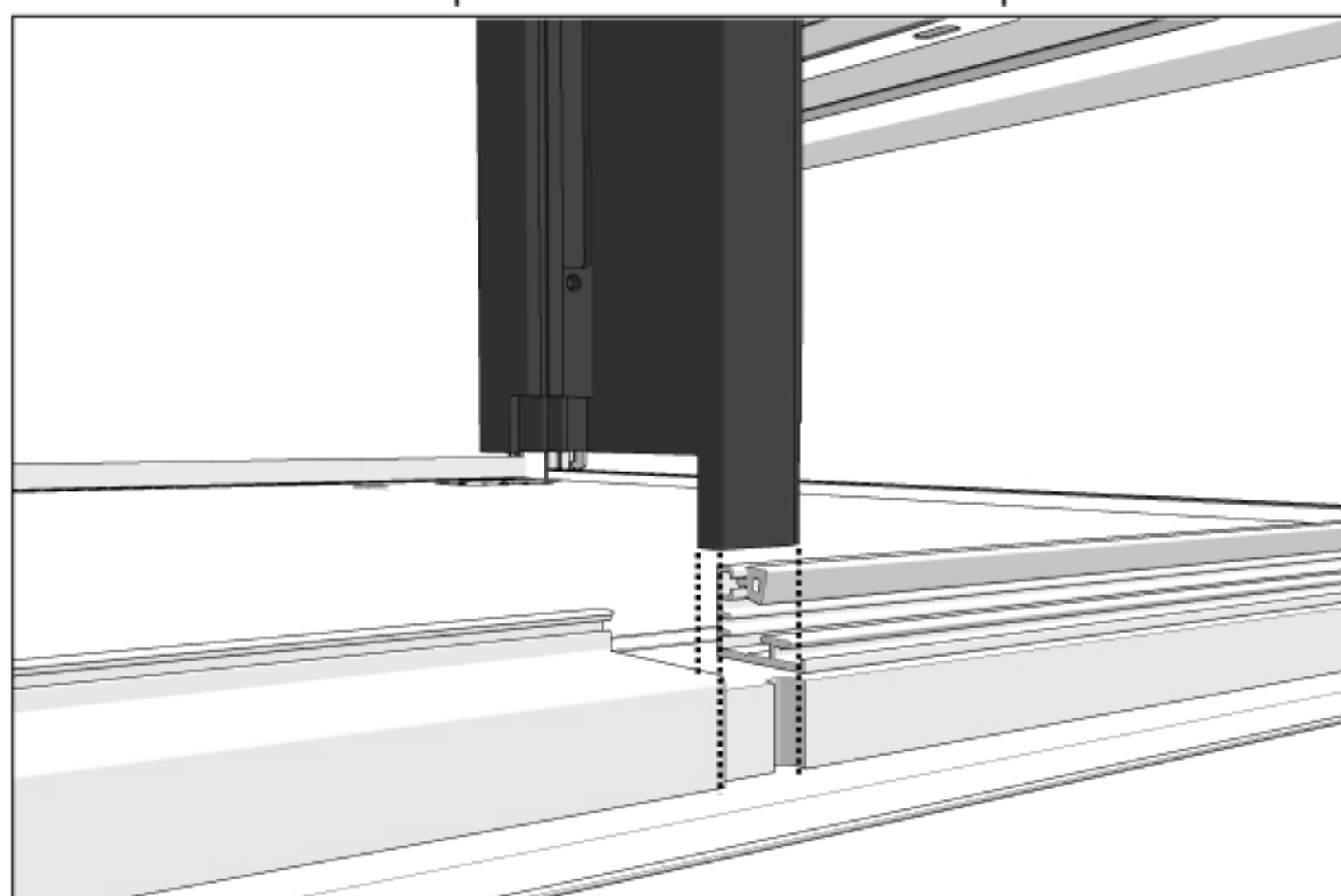
Tools needed



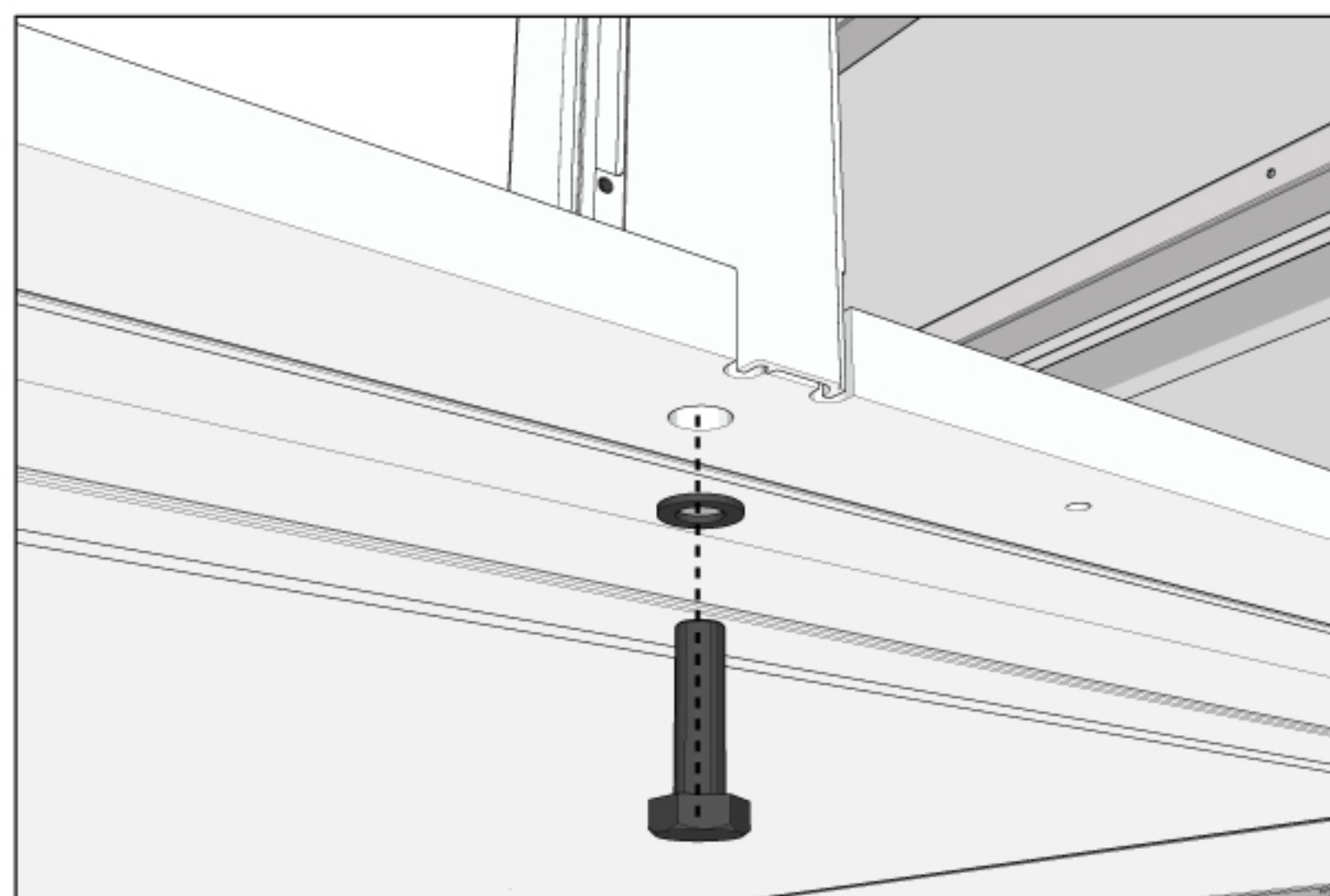
Ratchet wrench #16



1. Insert the door profiles in the correct position



2. Use a ratchet wrench to fasten 2 x PCS #16 hex screws with washers



Ratchet wrench #16

Place the ceiling on the box

Pay attention to the front and back direction

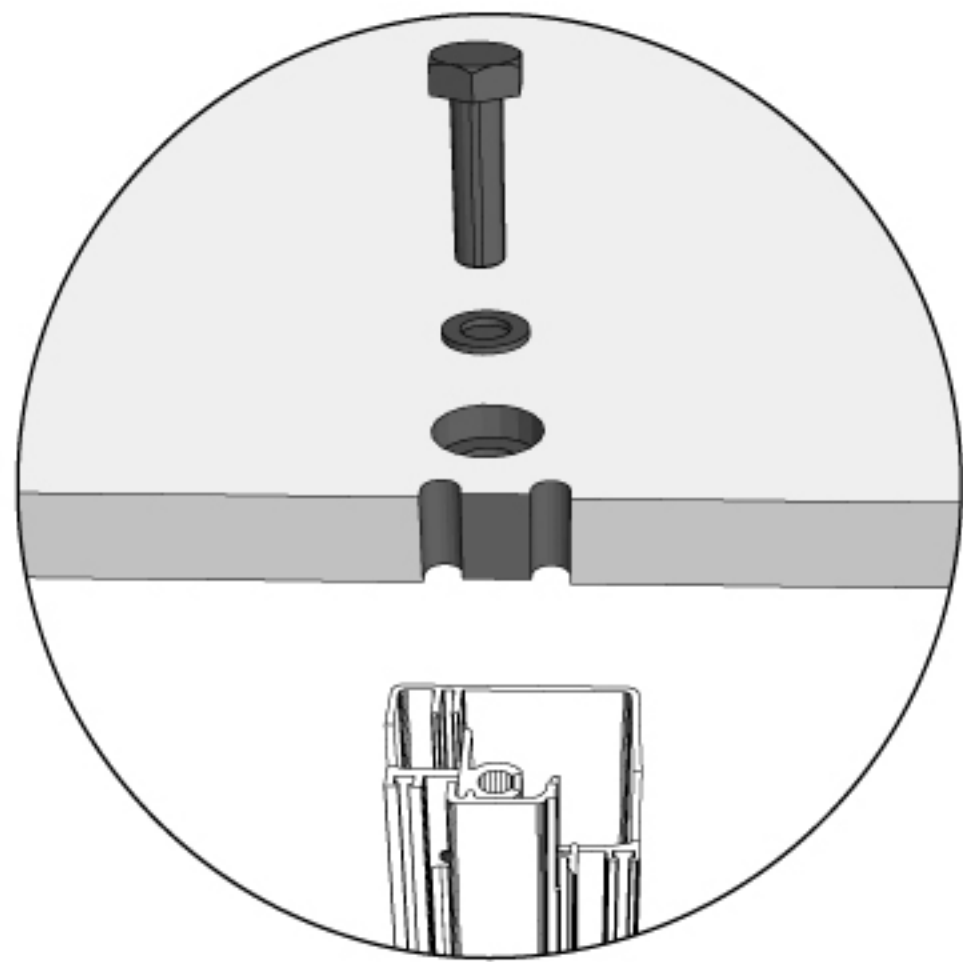
Tools needed



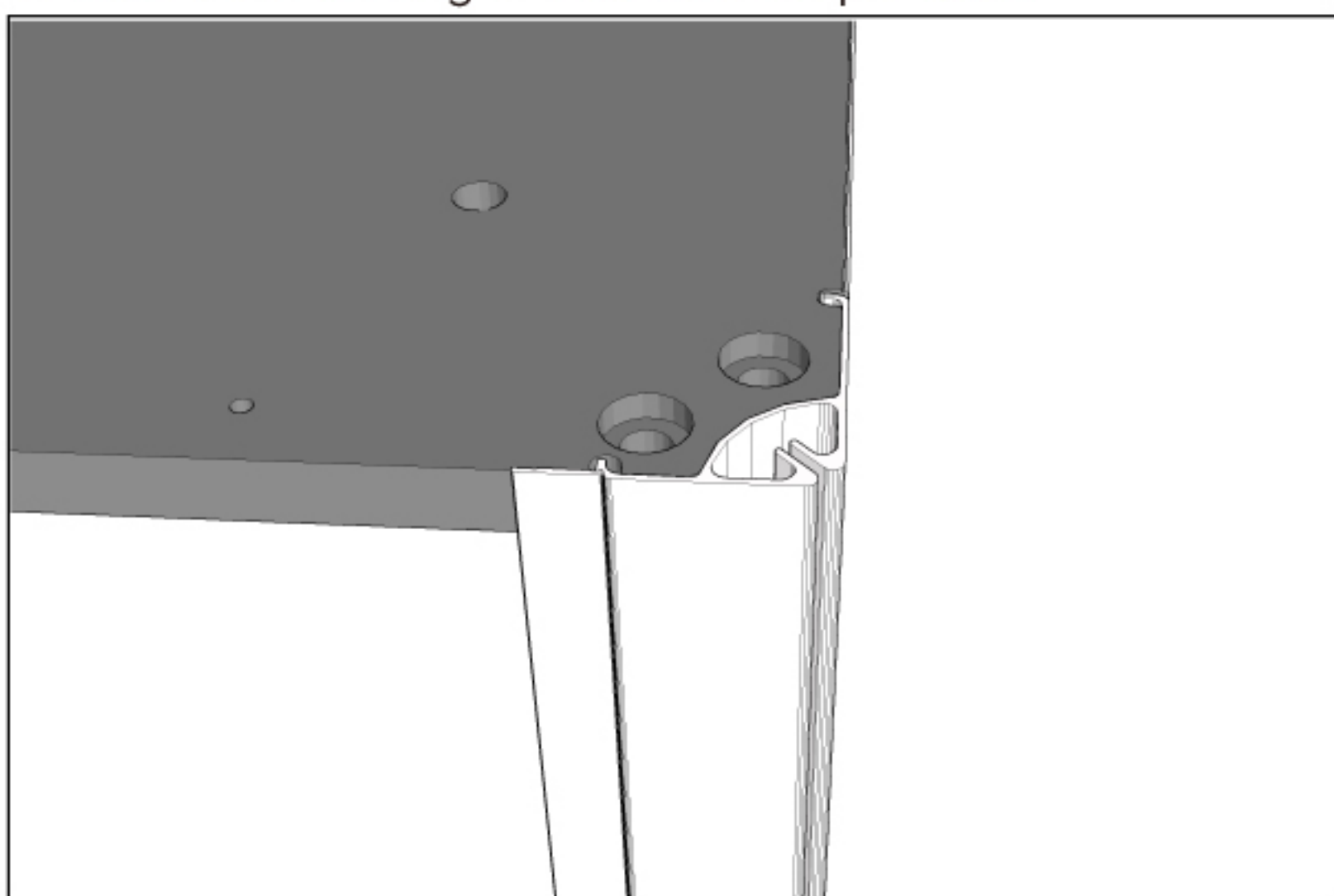
Ladder



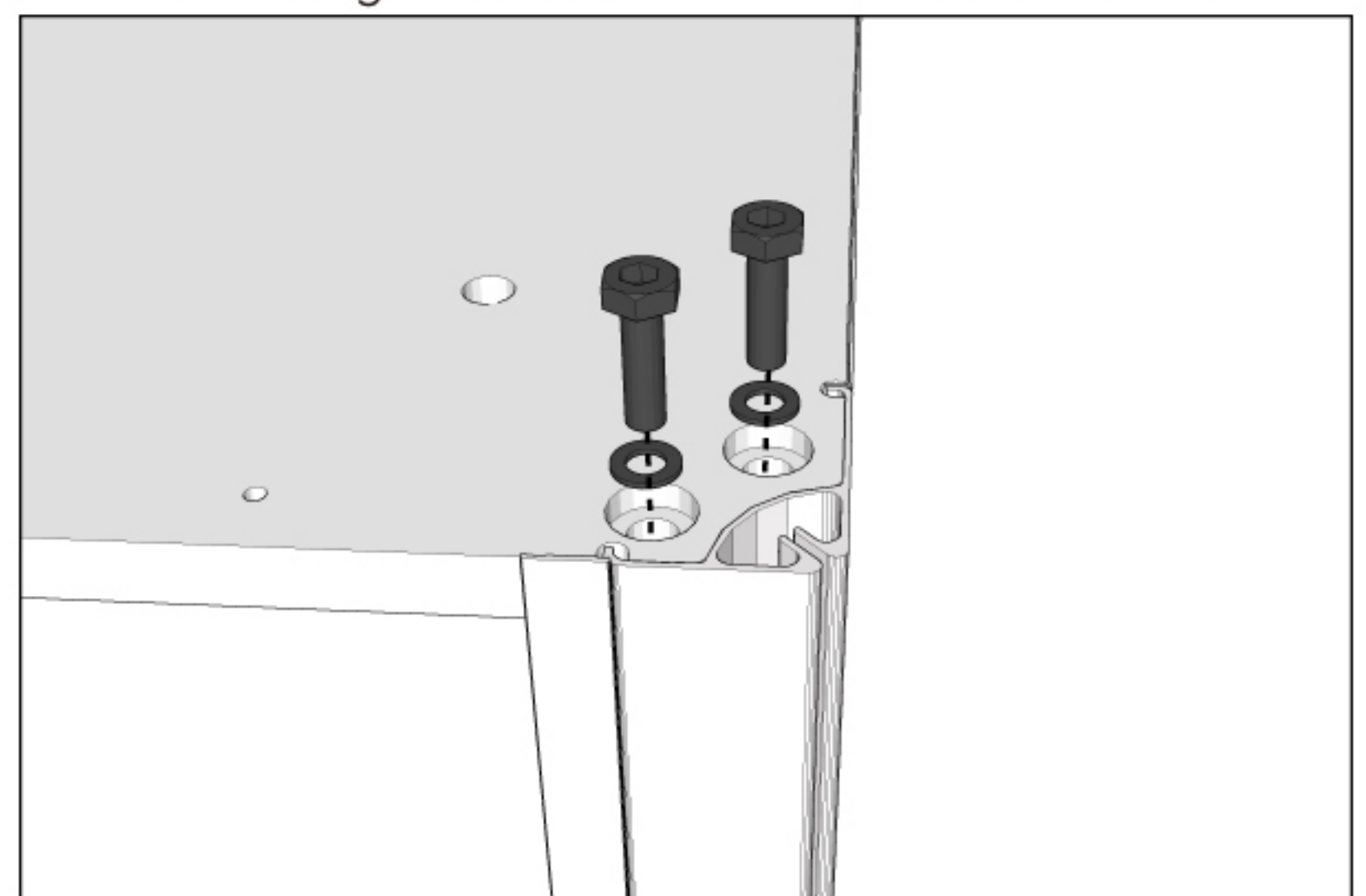
Hexagon SW8



1. Insert the ceiling in the correct position



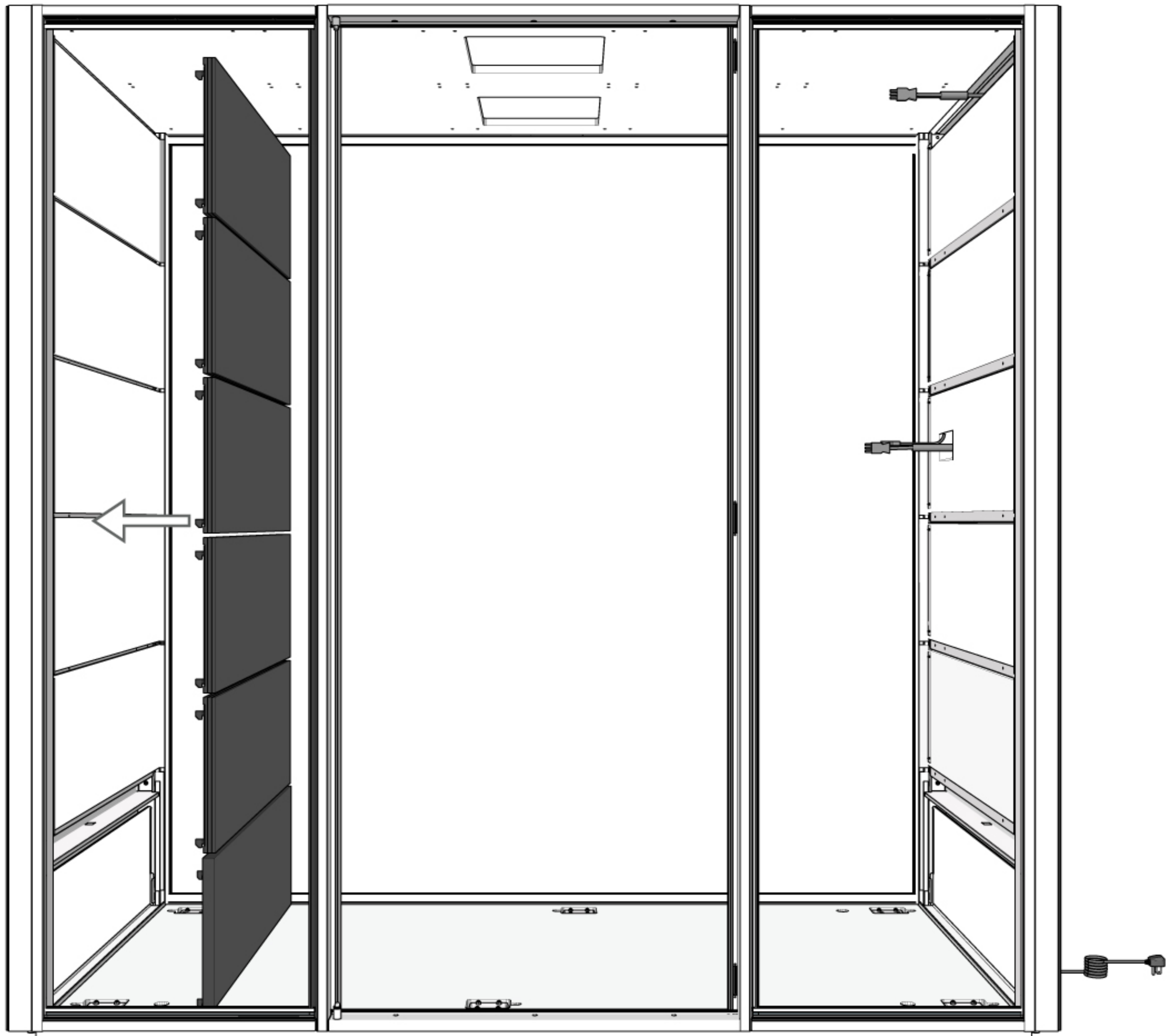
2. Use a hexagon to fasten 10 x M10 with washers



Hexagon SW8

Insert the fabric panels

Insert the fabric panels into the left wall frame



Pay attention to the bottom fabric panel is different from other panels

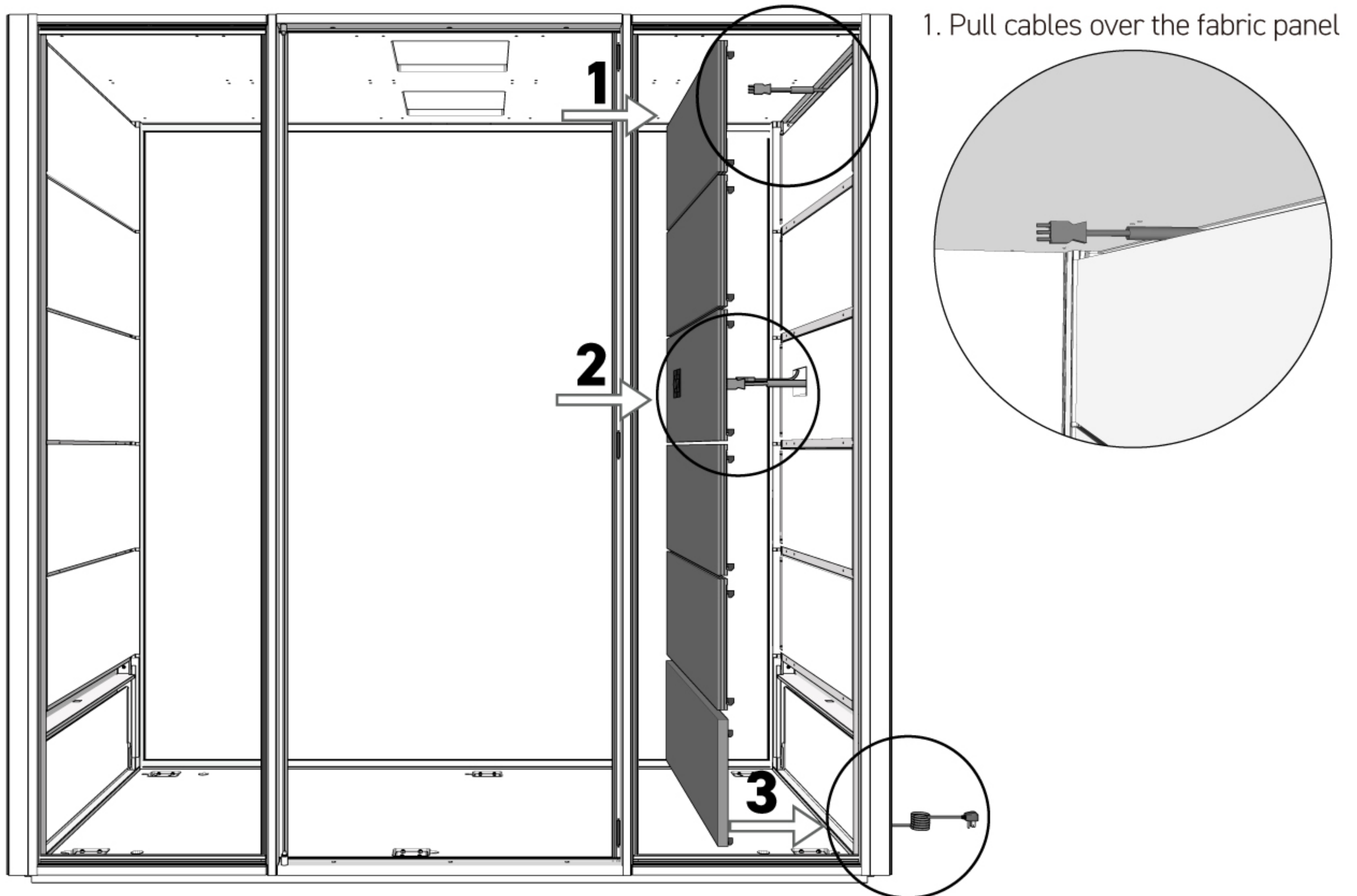


— The other fabric panel

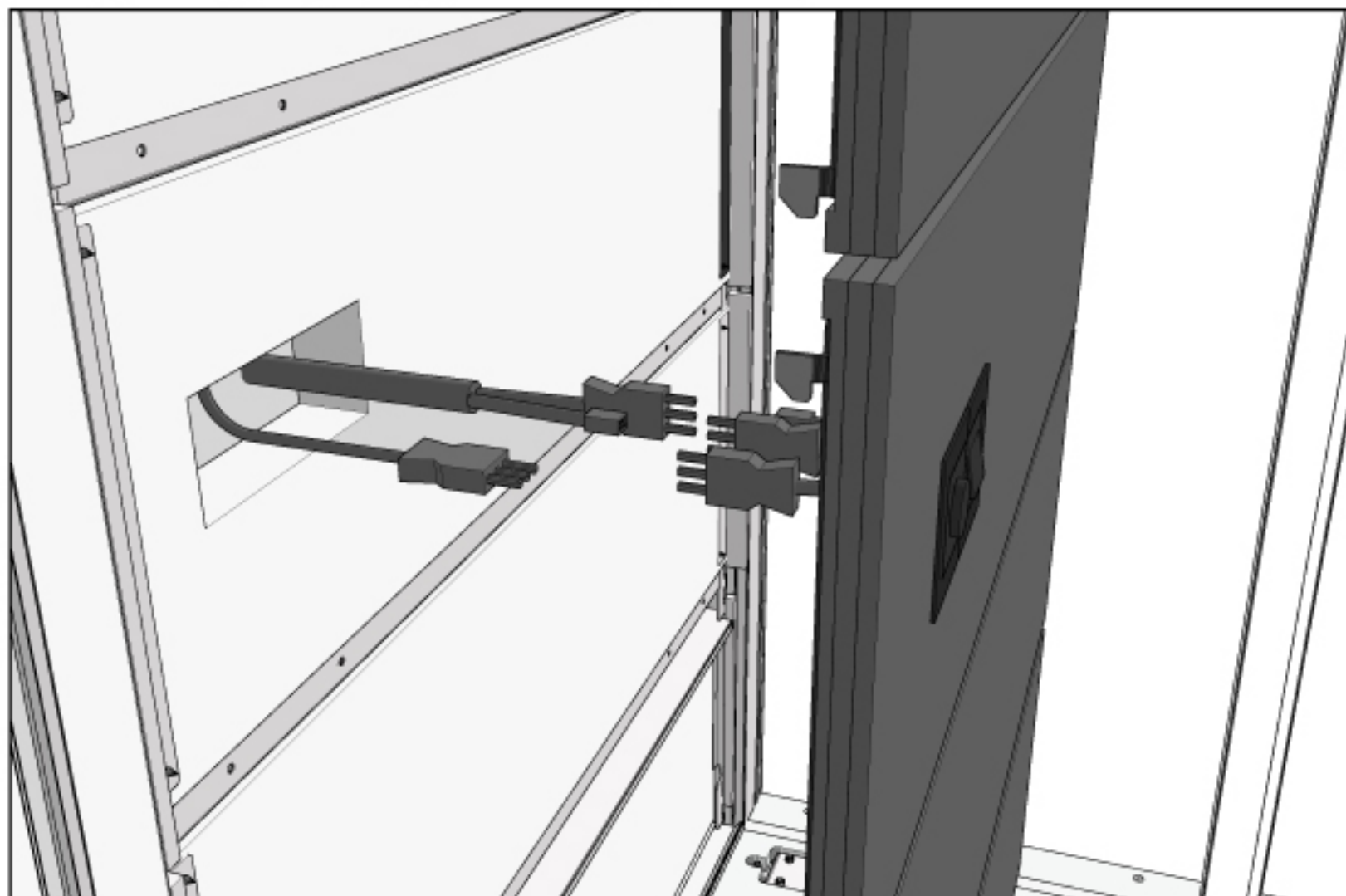
— The bottom fabric panel

Insert the fabric panels

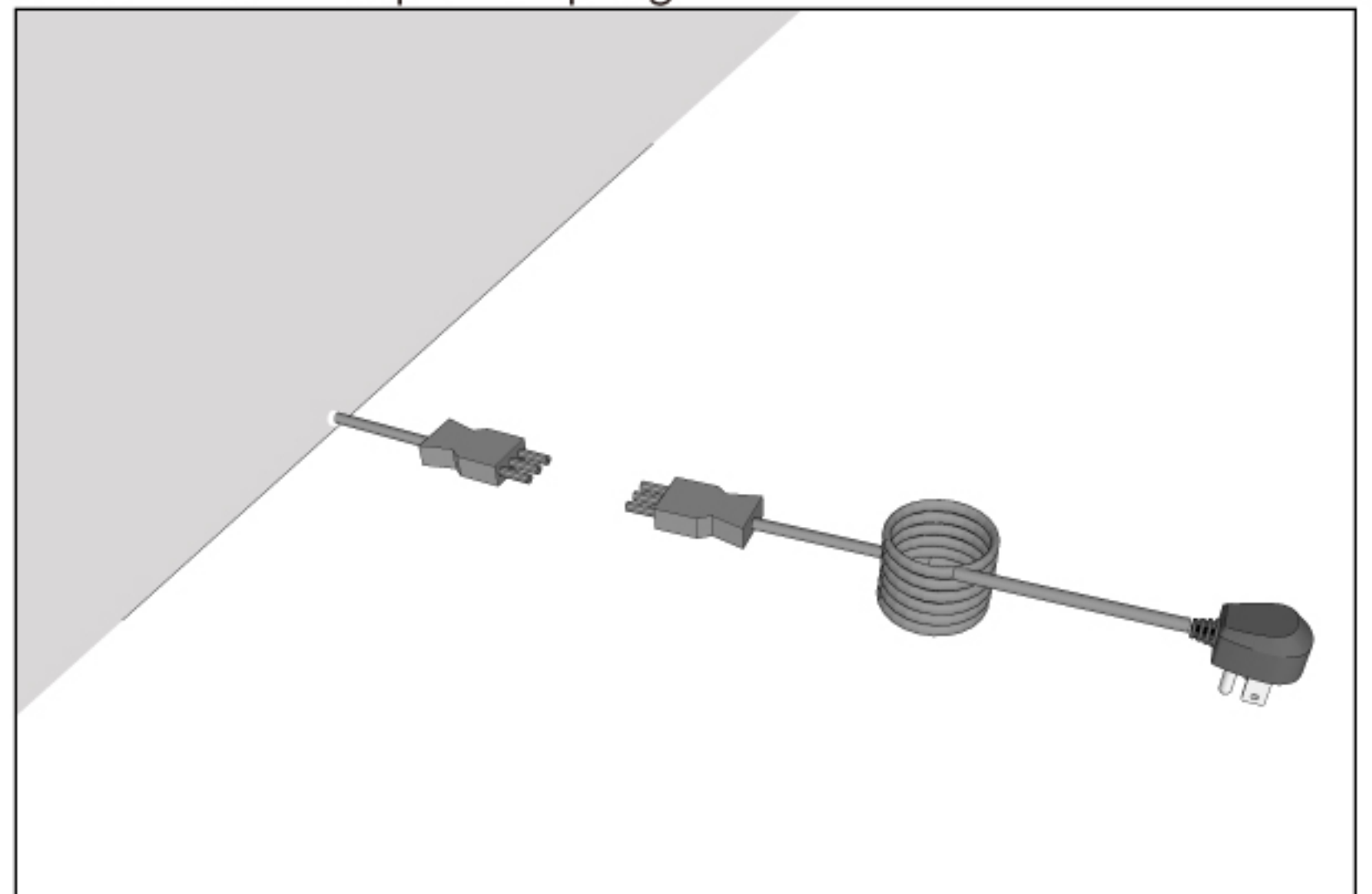
Insert the fabric panels into the right wall frame



2. Connect cables with the switch



3. Connect the power plug



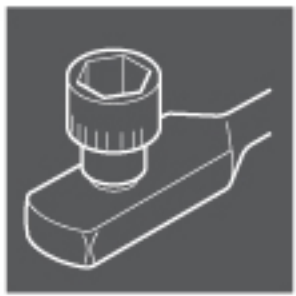
Install panels under the top frame

Pay attention to the installation sequence and the cables in the panels

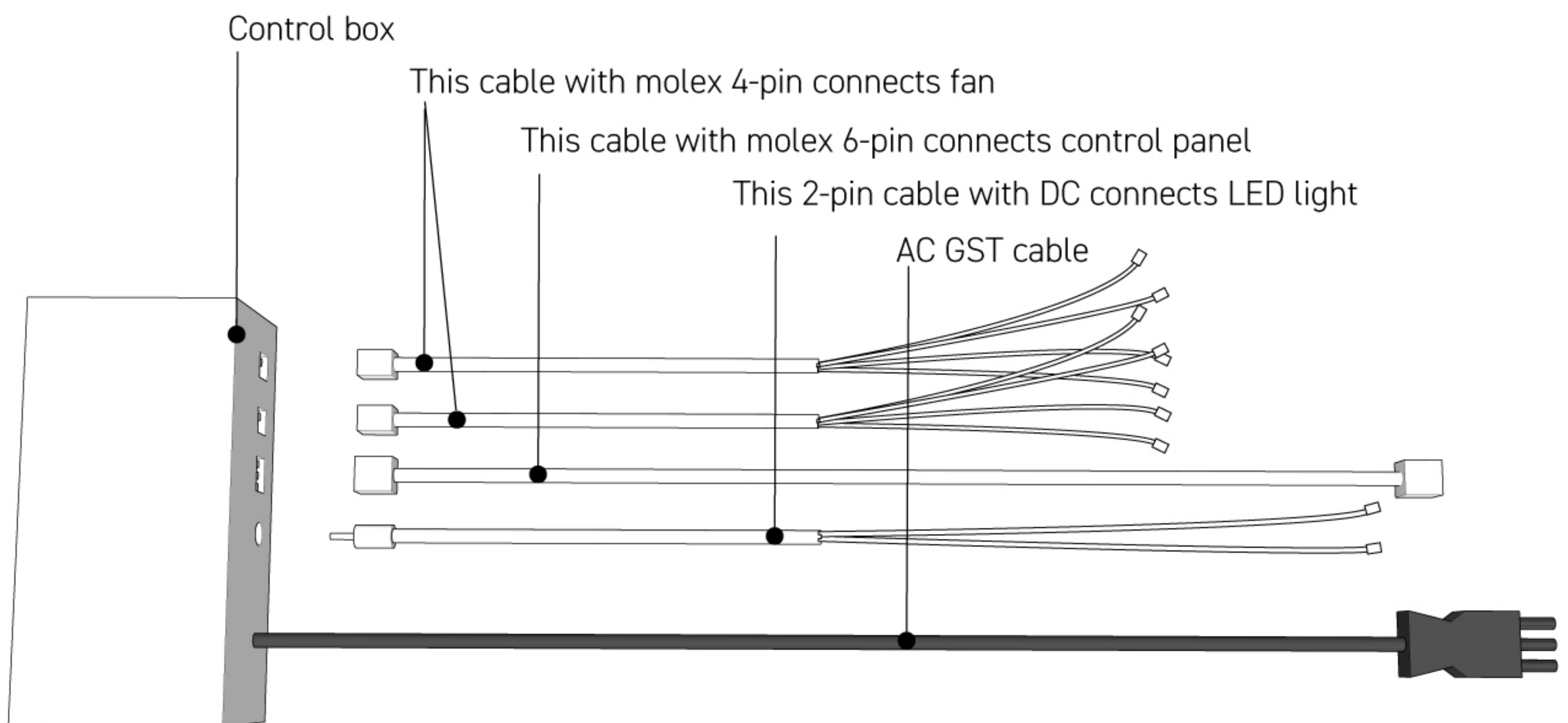
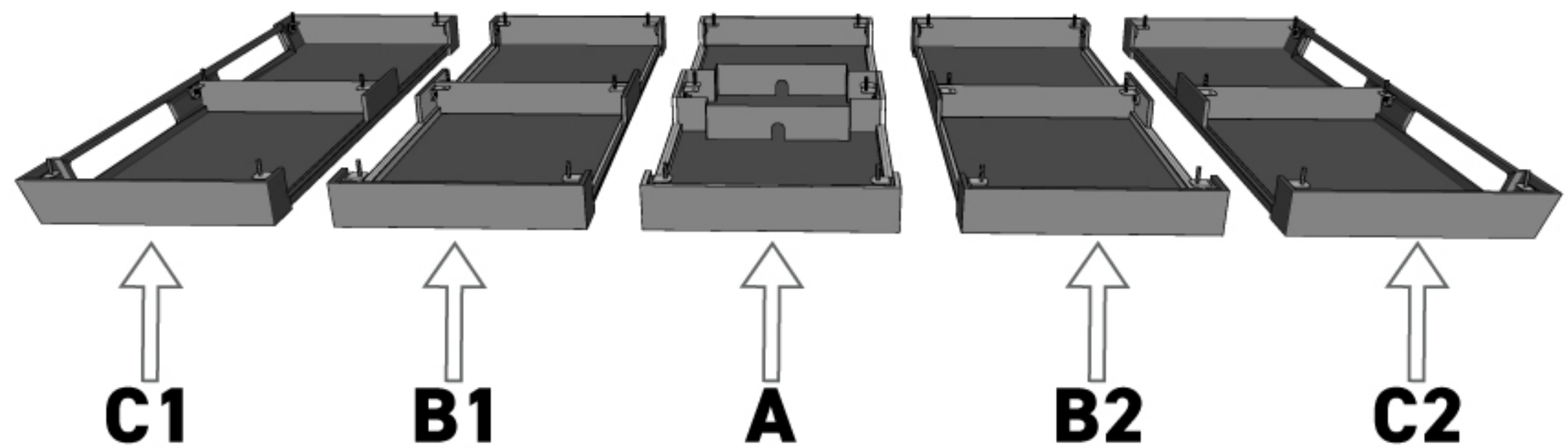
Tools needed



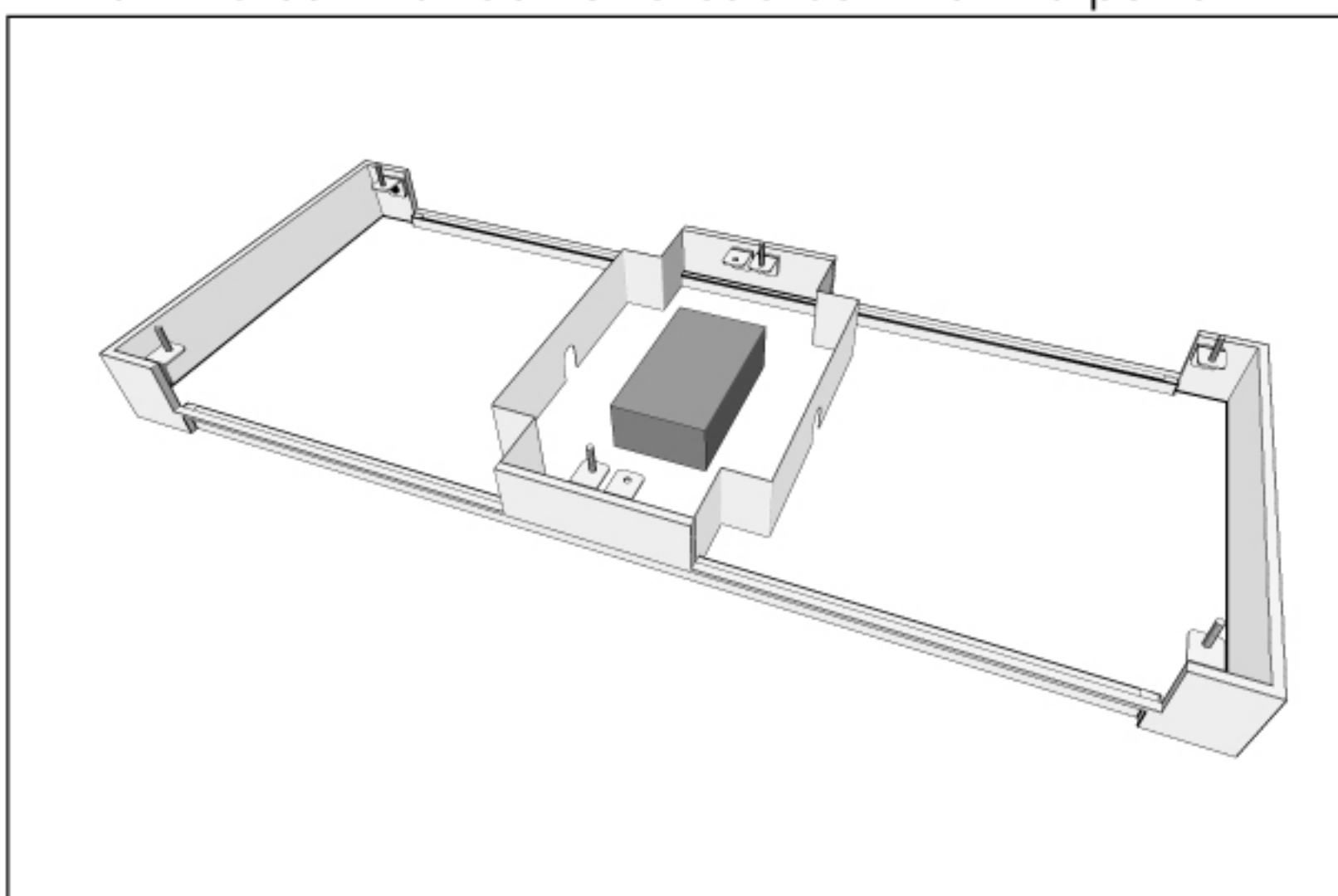
Ladder



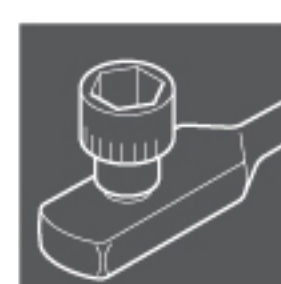
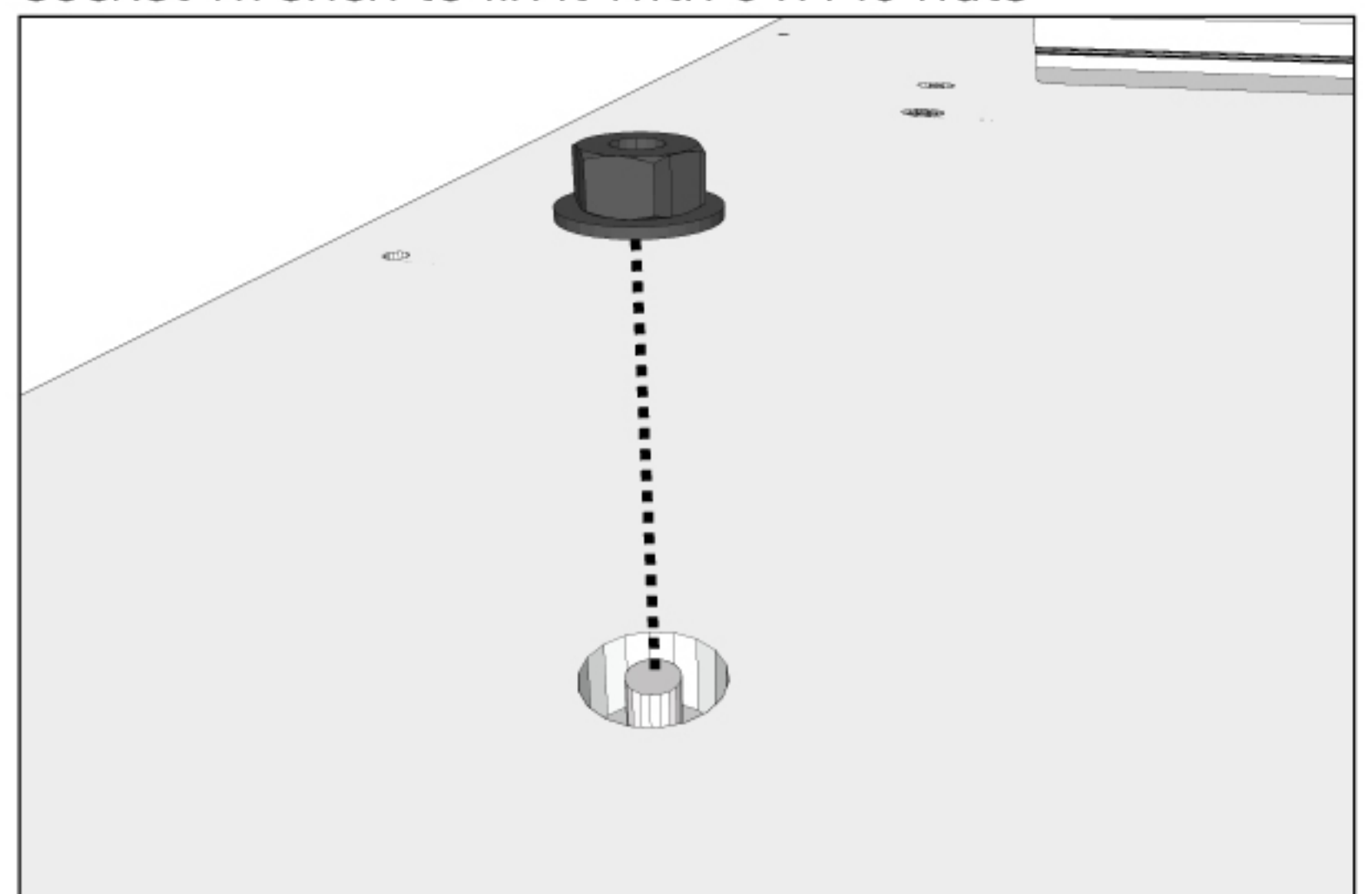
Socket wrench SW10



1. Put the control box and cables into the panel A



2. Push the panel A into the top frame and use a socket wrench to fix it with 8 x M6 nuts



Socket wrench SW10

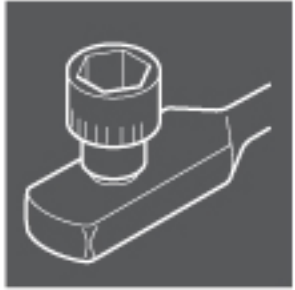
Install the panel under the top frame

Install the panel B1 & B2 after install the panel A

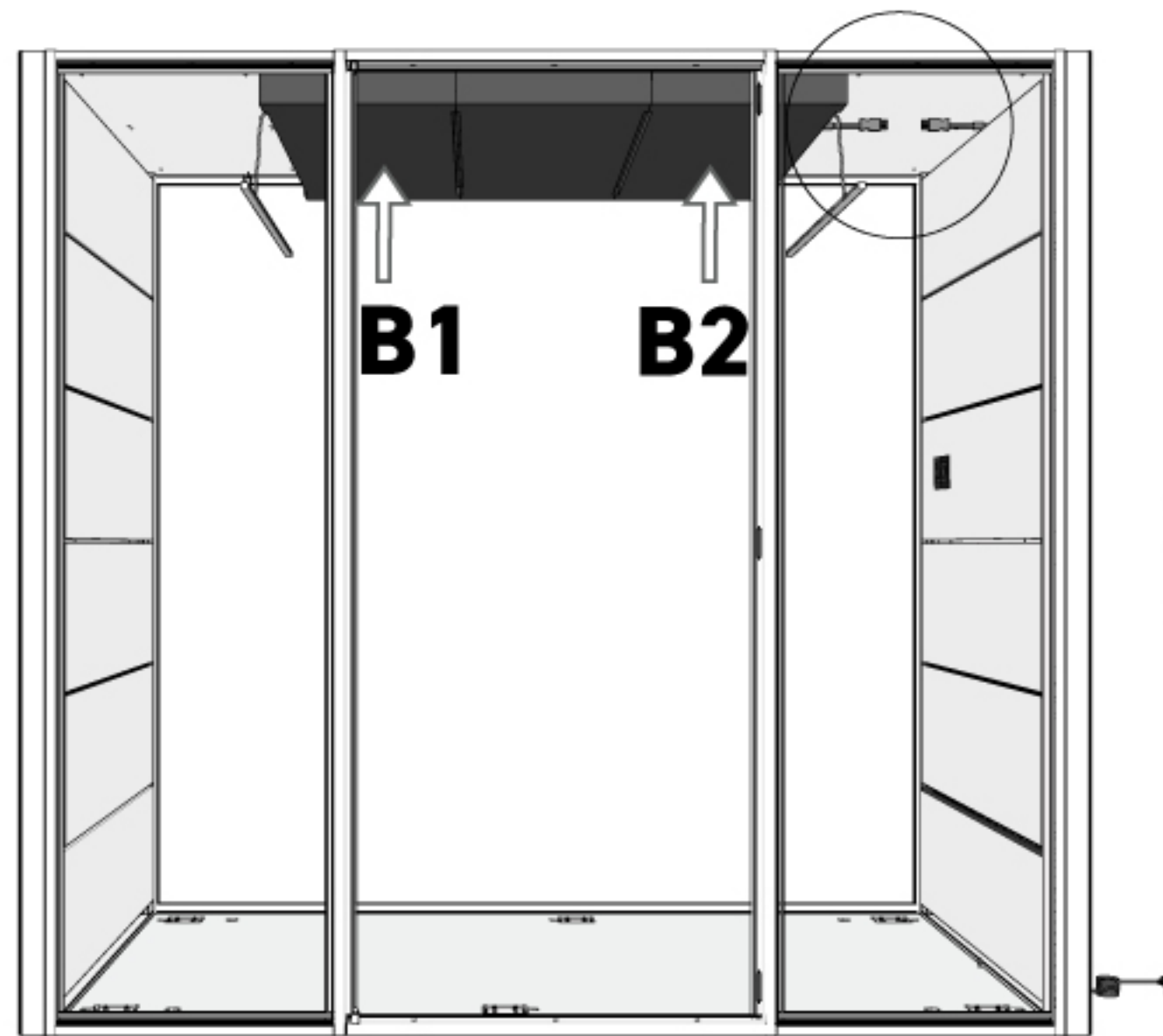
Tools needed



Ladder

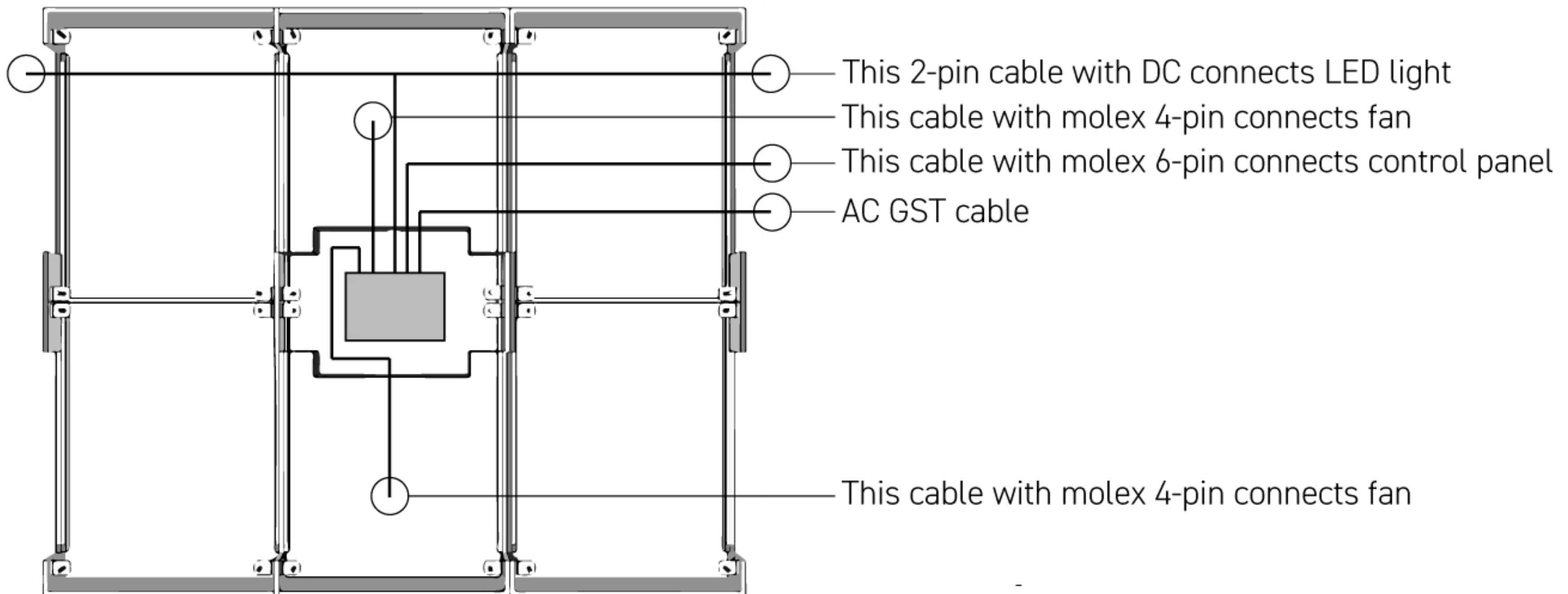


Socket wrench SW10

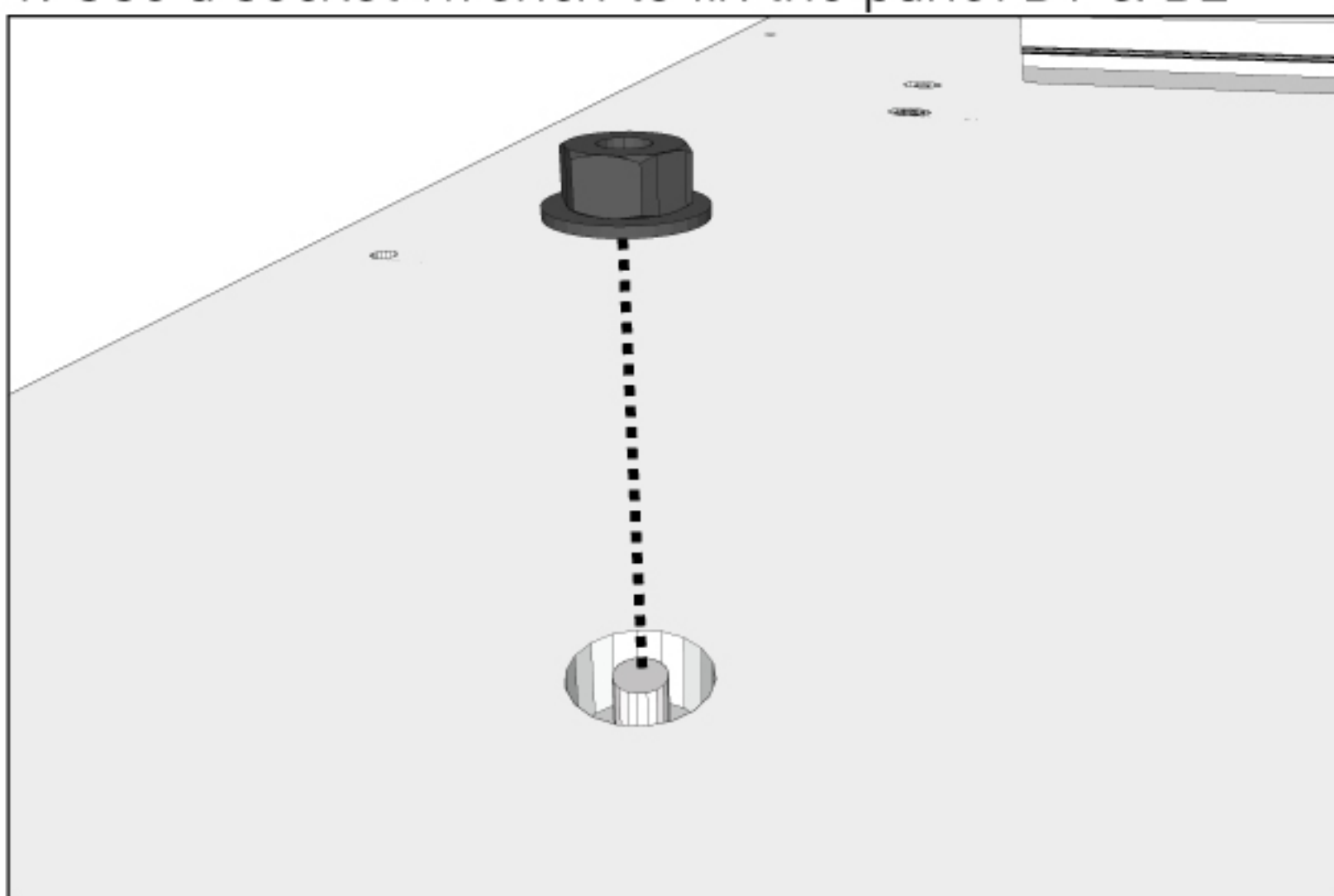


Extend the AC cable and DC cable

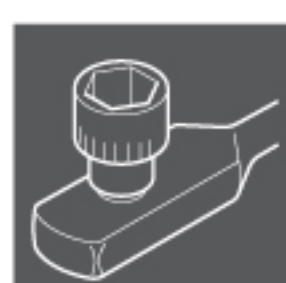
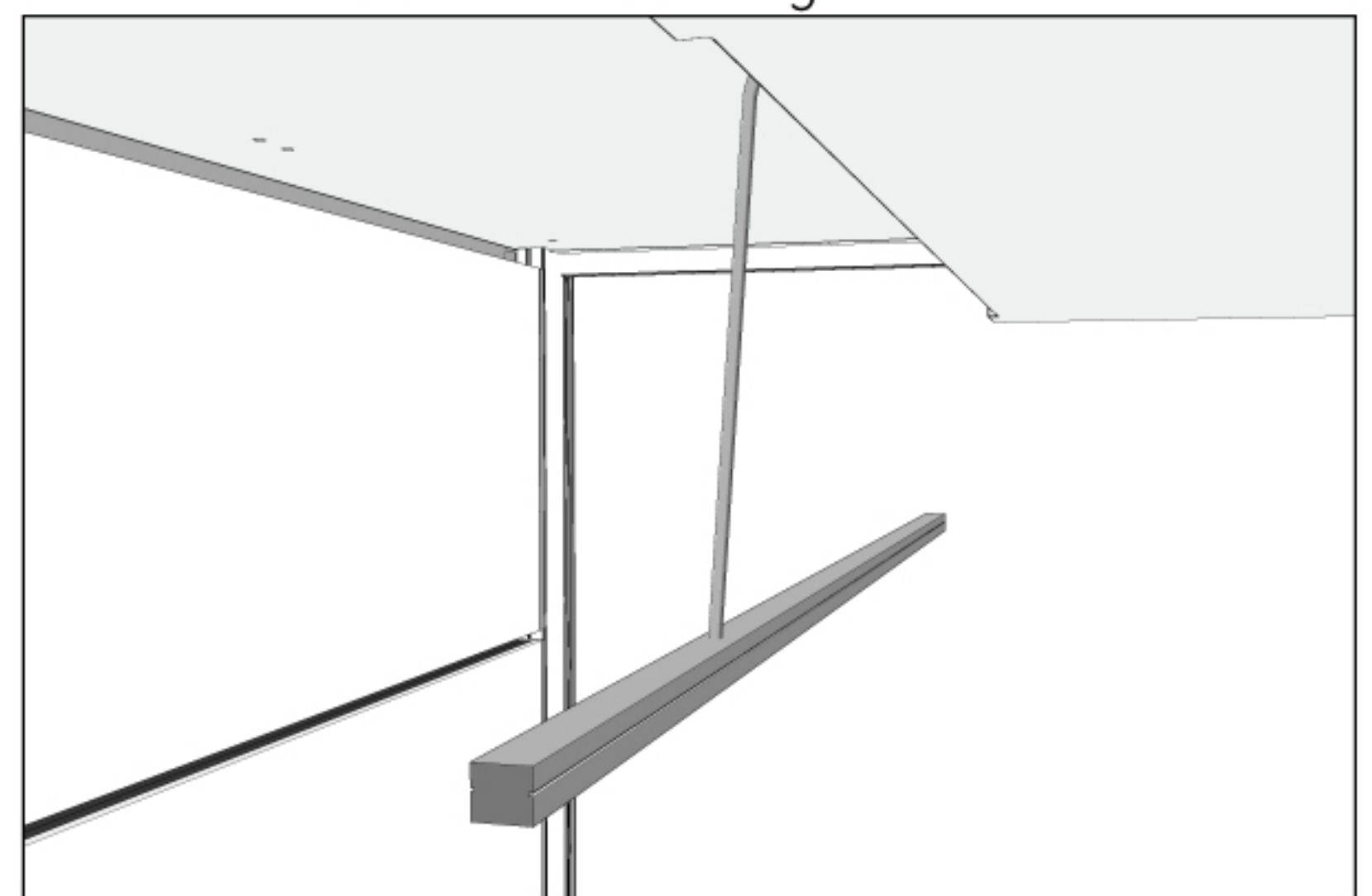
Extend the cable to connect the power supply and the lamps



1. Use a socket wrench to fix the panel B1 & B2



2. Connect the cables to the lights



Socket wrench SW10

Install the panel under the top frame

Install panel C1 & C2 after installing panel B1 & B2

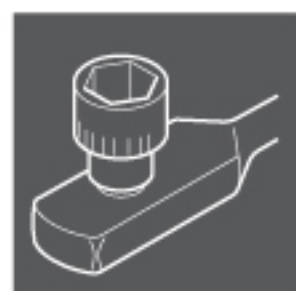
then use a socket wrench to fix panels C1 & C2.

Connect cables

Tools needed

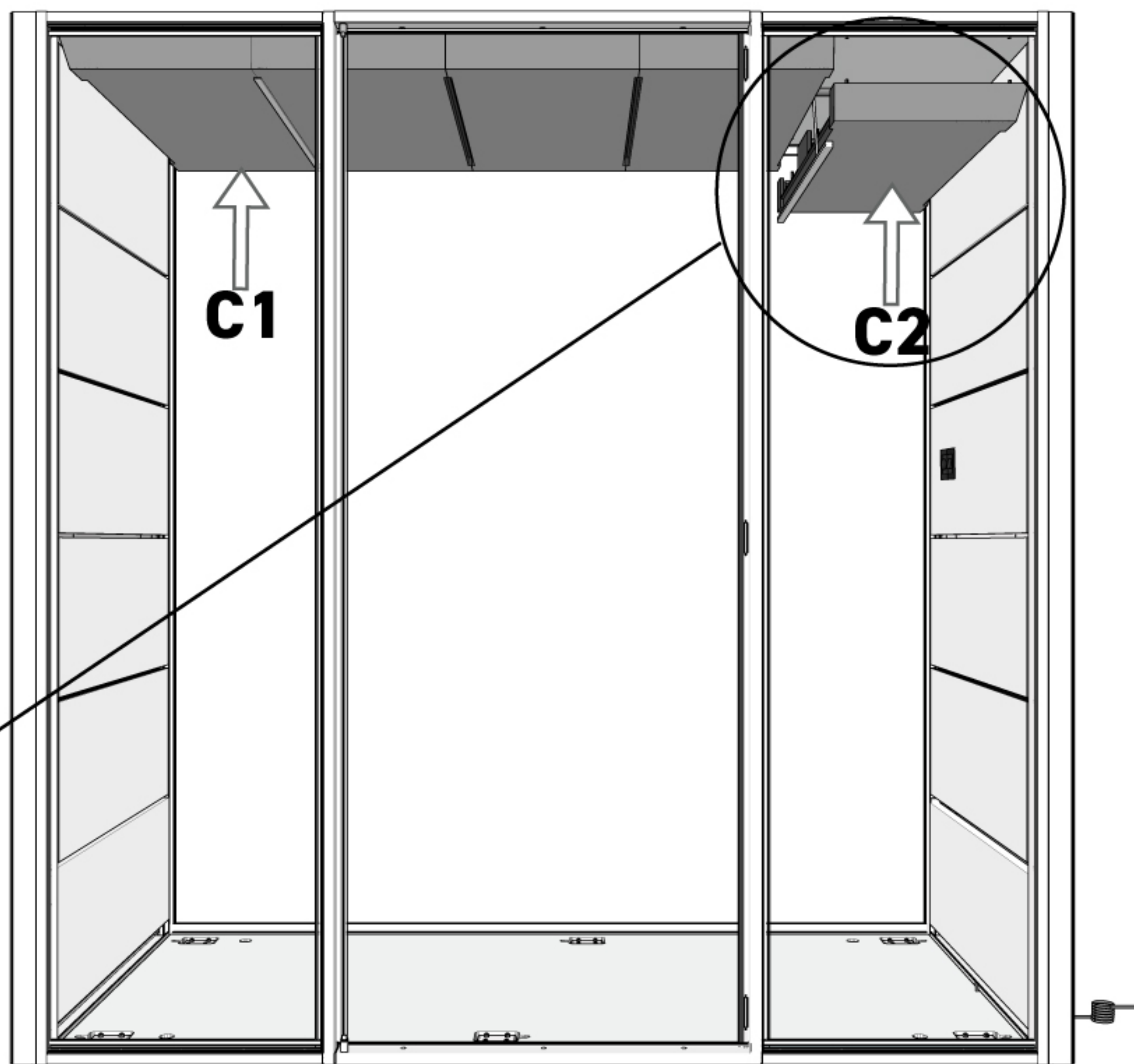
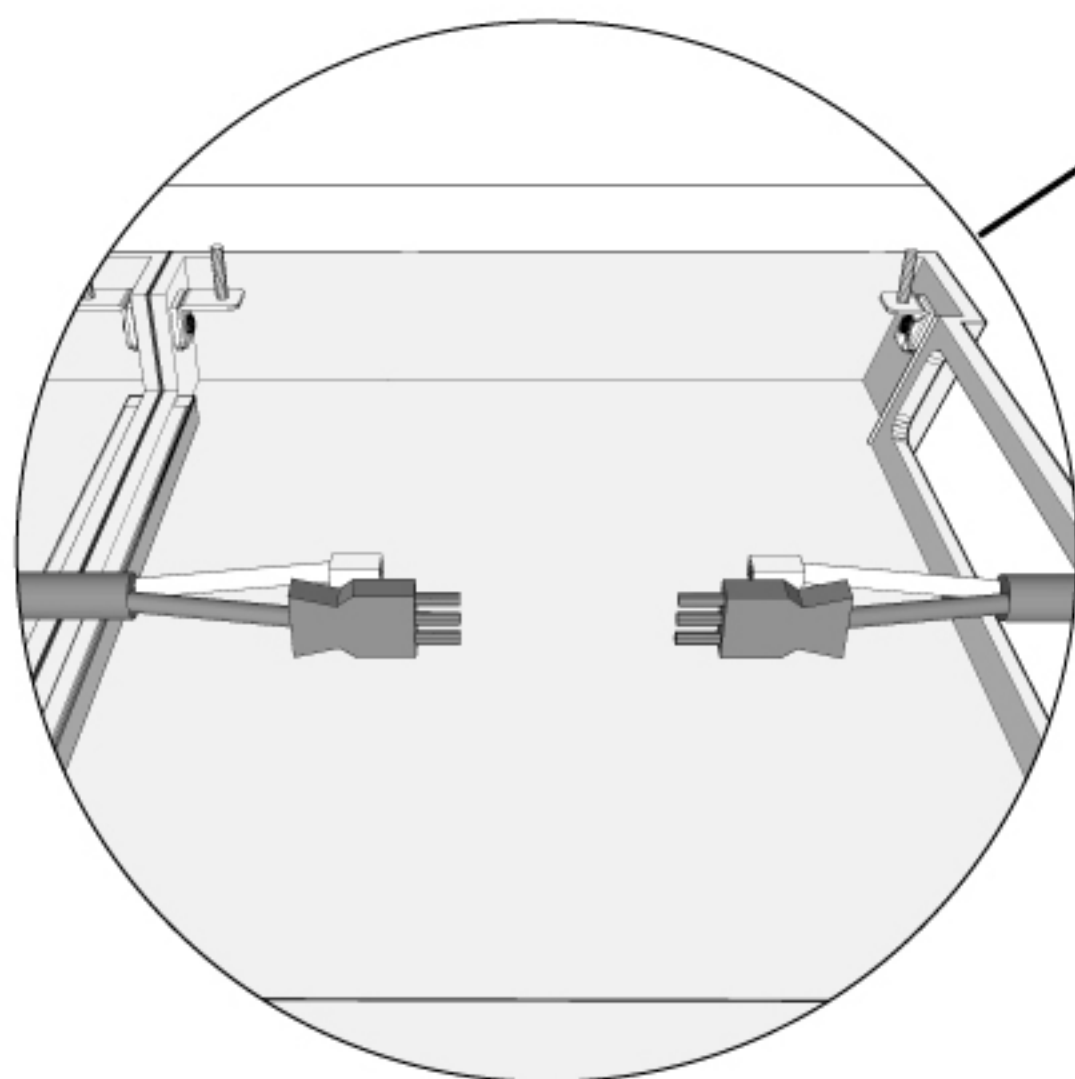


Ladder

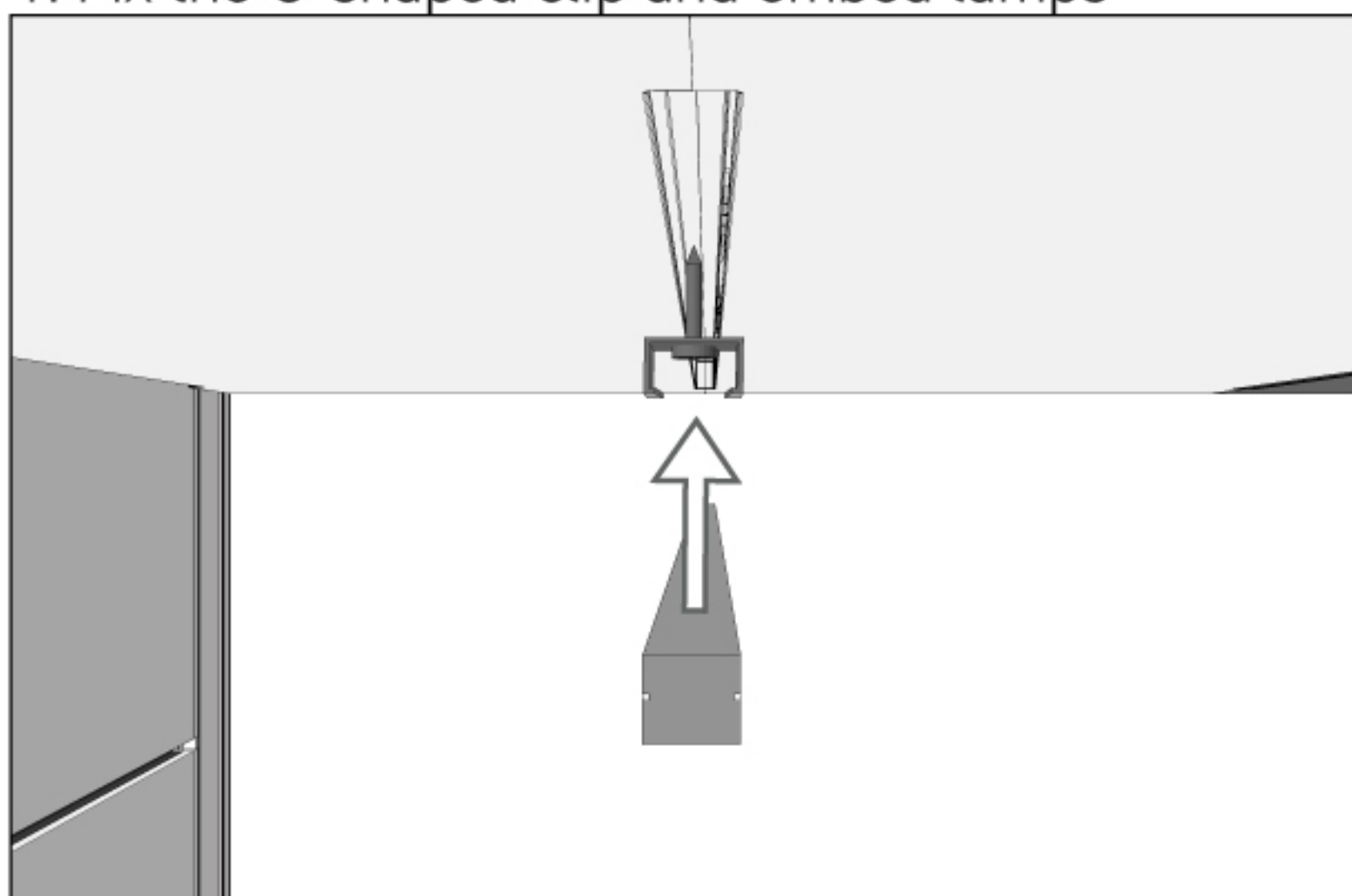


Socket wrench SW10

Cable through the panel C2, connect cable AC and cable DC then push into the ceiling



1. Fix the U-shaped clip and embed lamps



The U-shaped clip

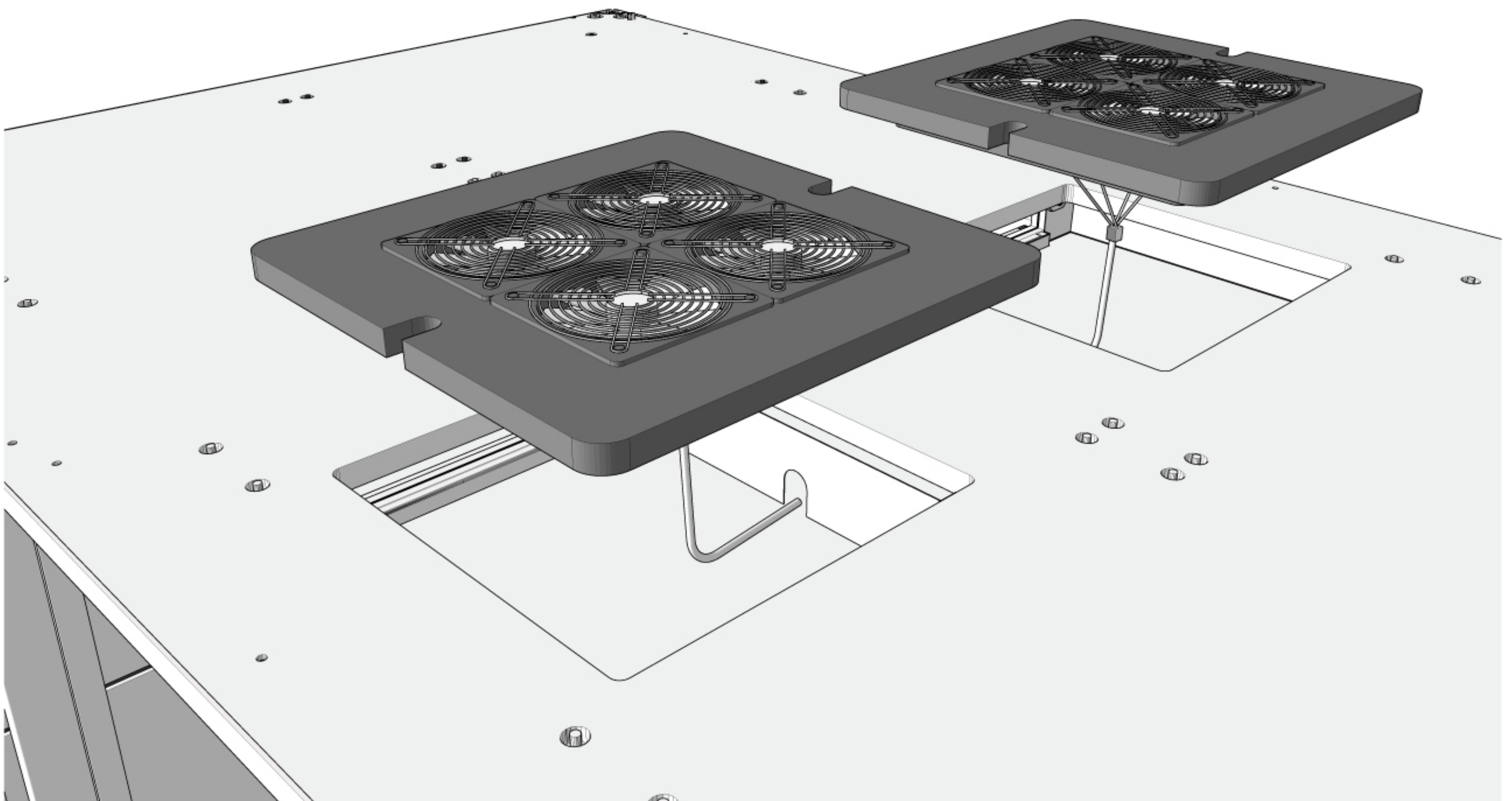


Install the fans

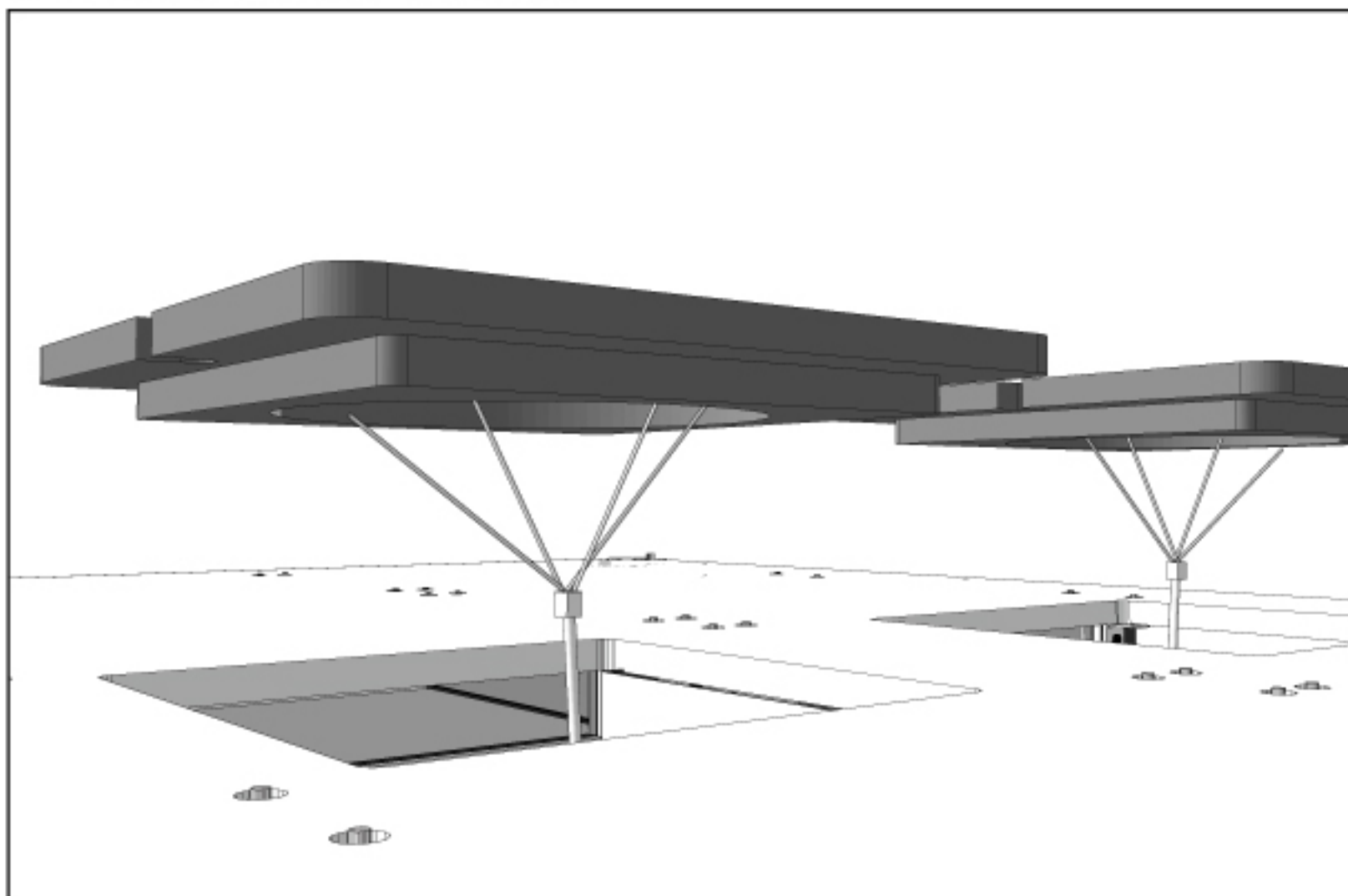
Tools needed



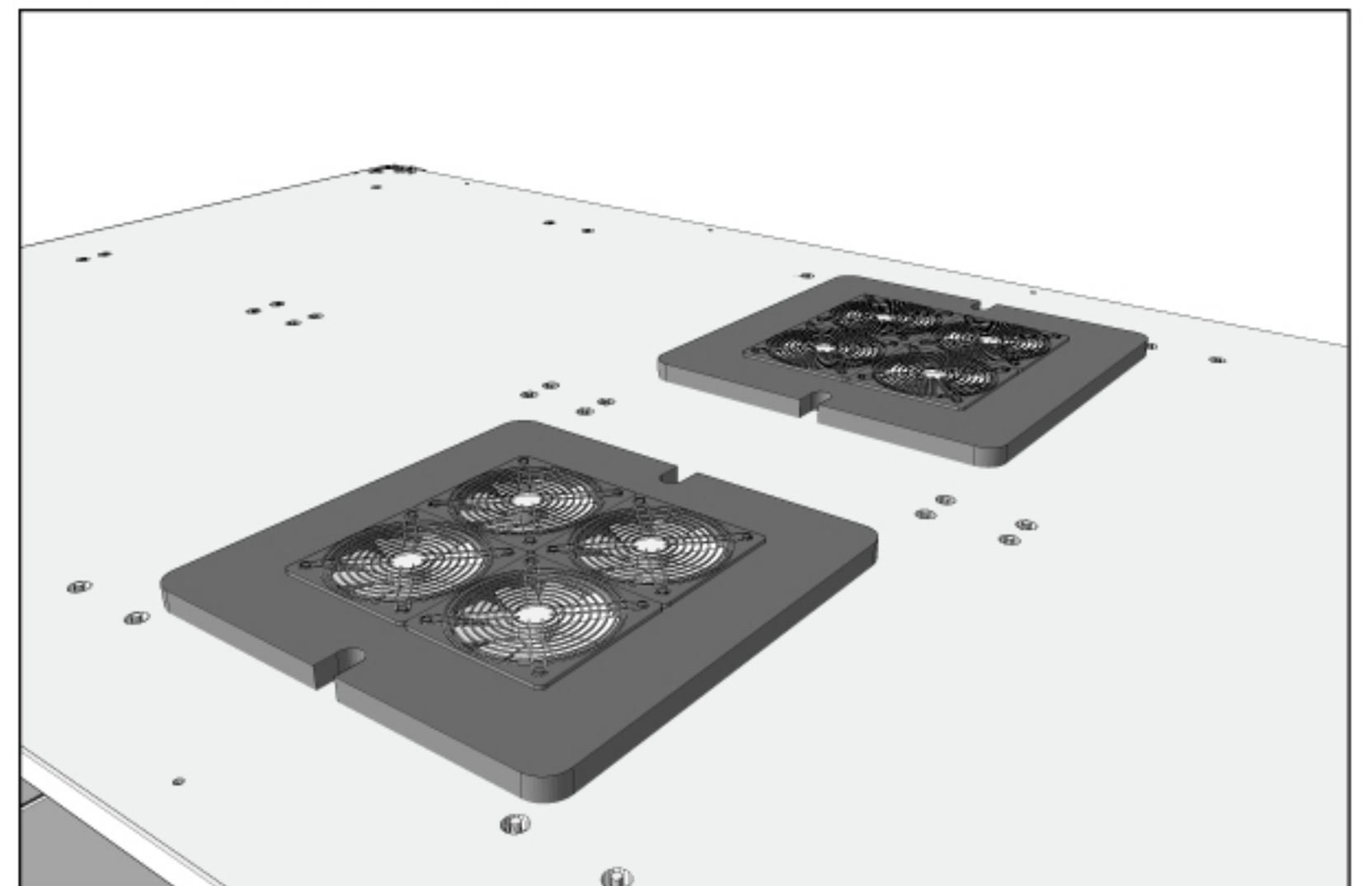
Ladder



1. Connect the cables



2. Install the two fans



Place back side glass panels

It is important to take your time and tape the glass panels correctly

WARNING
To prevent scratching when unpacking, lift the glass pieces from each other. Do not pull.

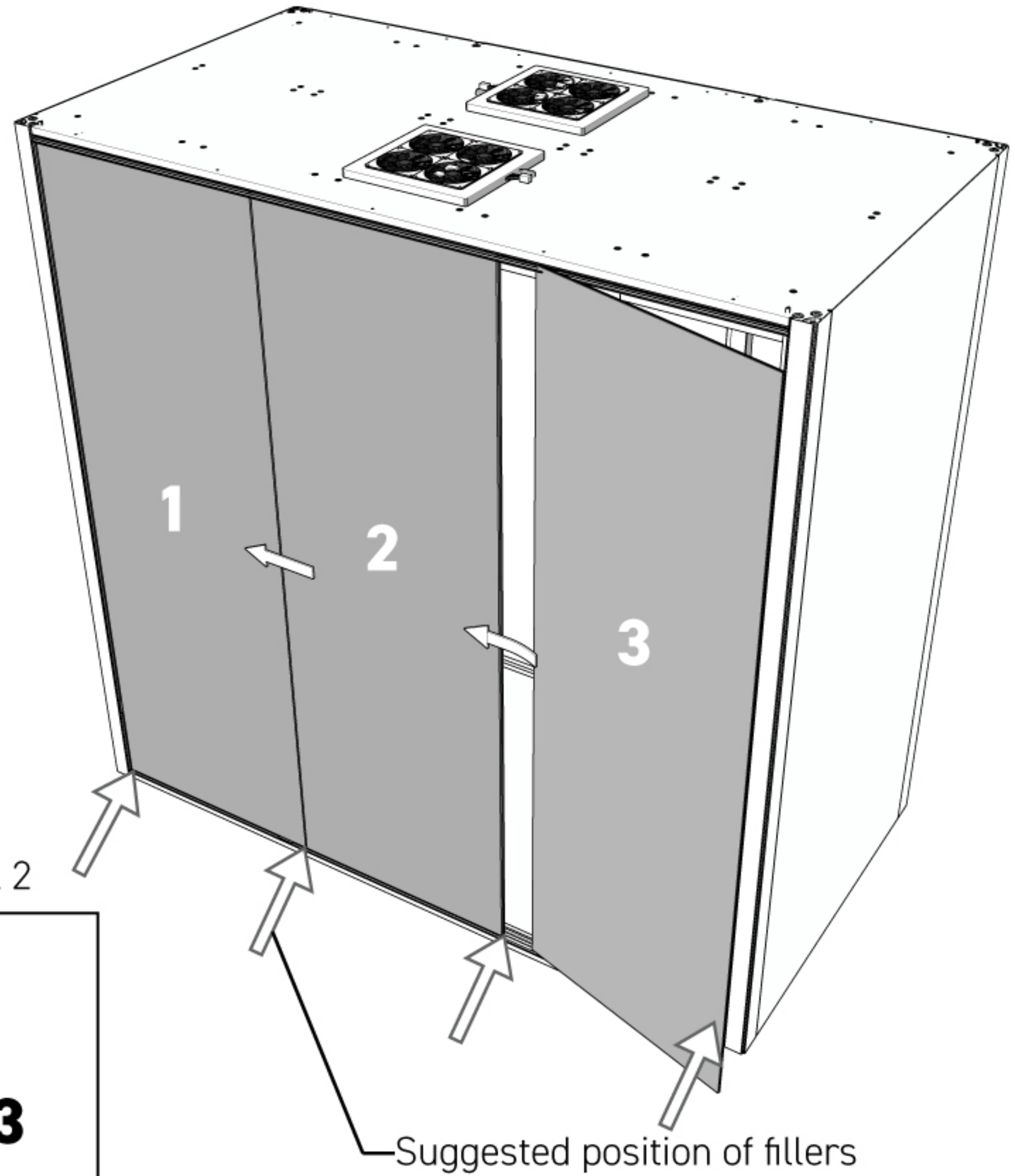
Tools needed



Ladder

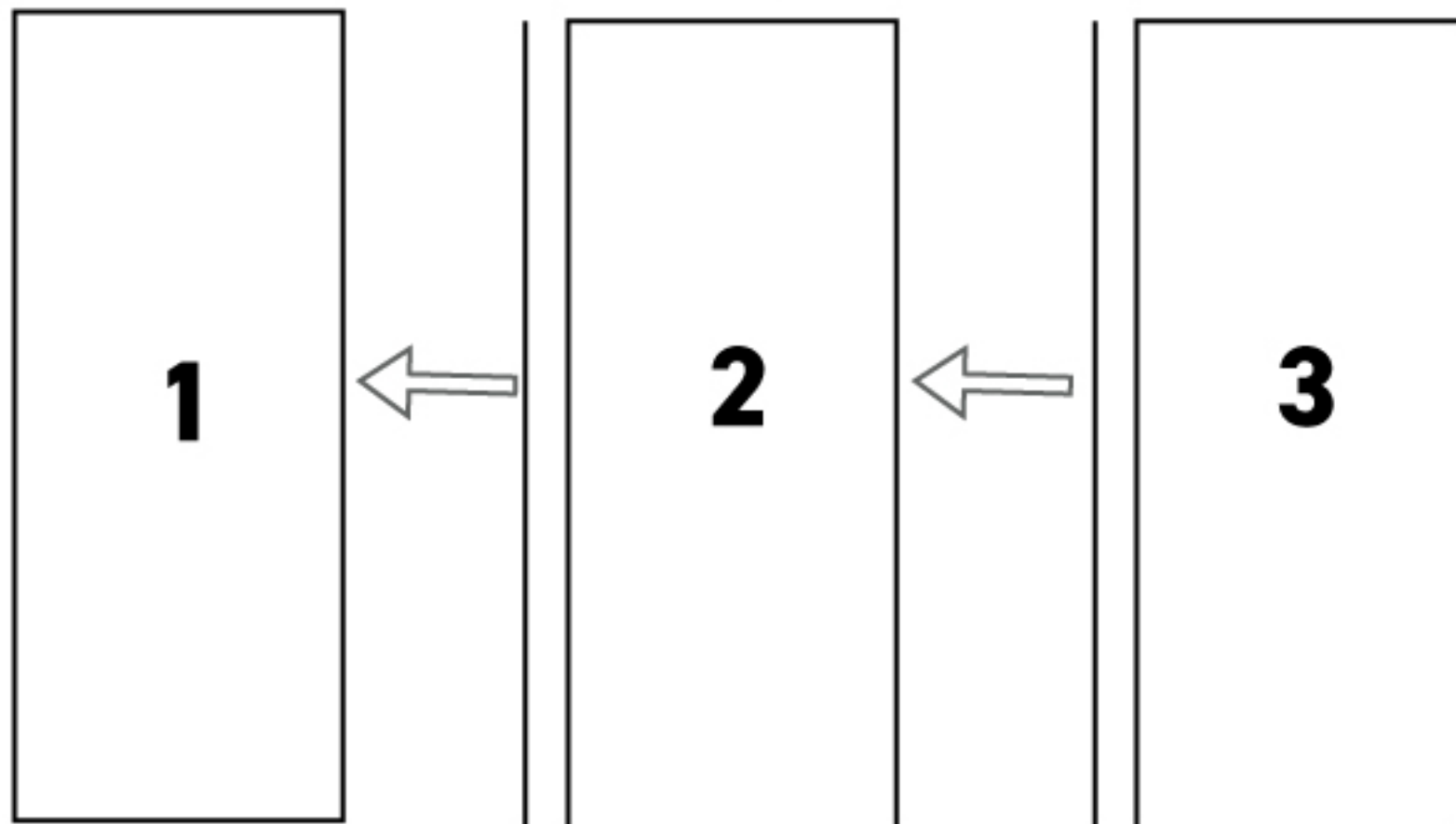


Glass carrier x 2

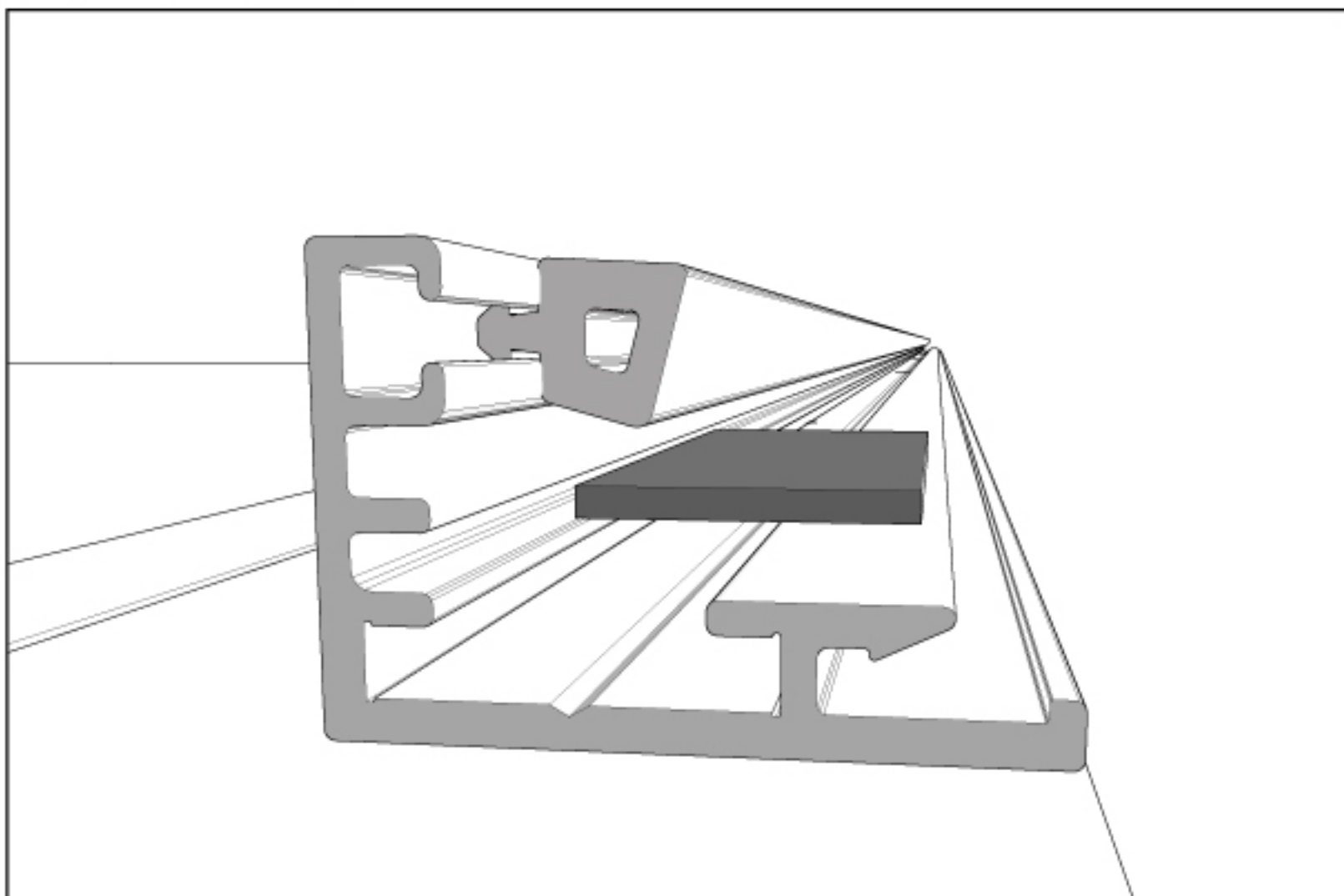


Use the glass strips from package "1" to assemble the panels

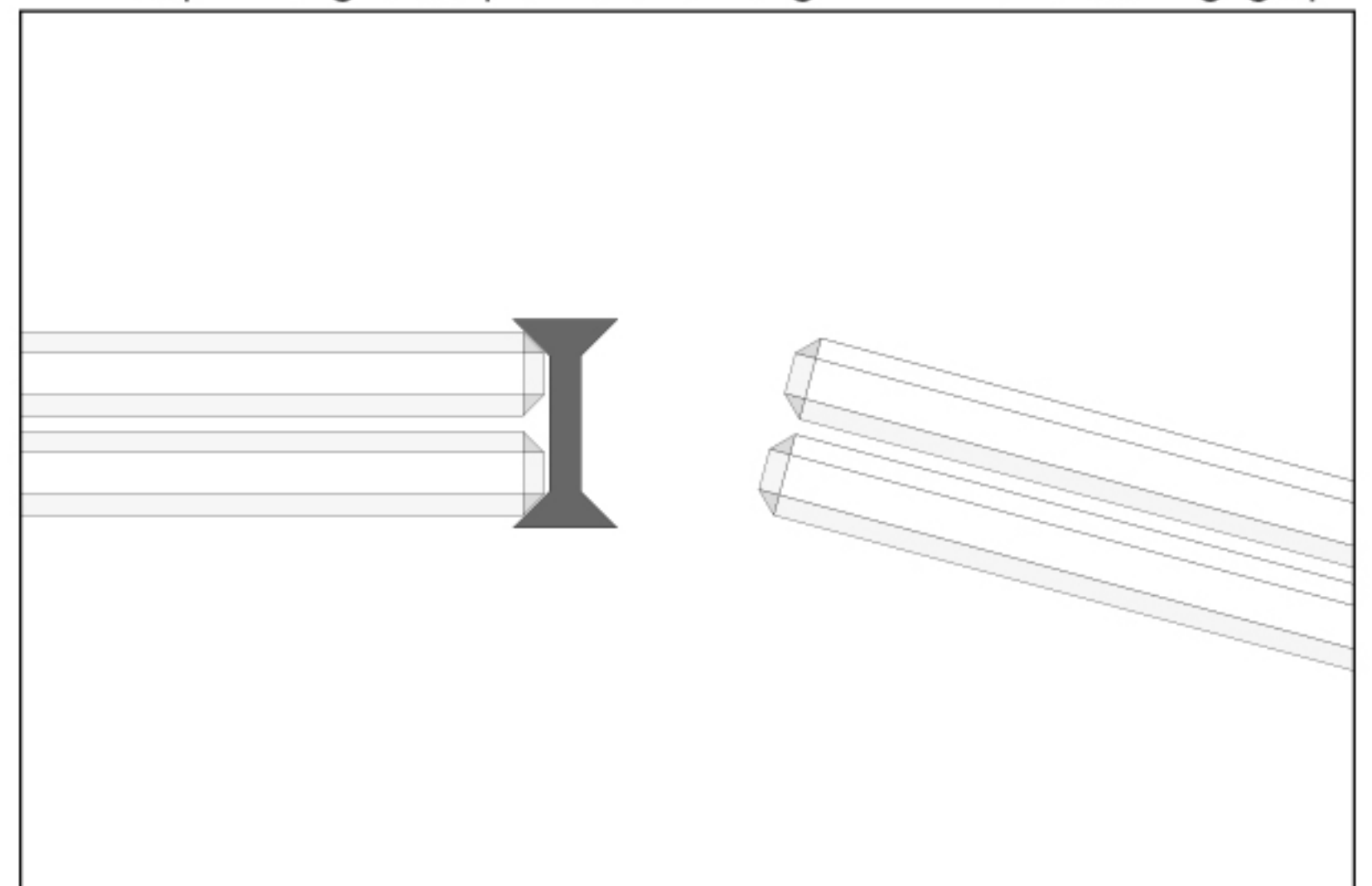
Pre-tape the strips on the panel 1 and panel 2



1. Place bottom fillers first, make sure the fillers are horizontal



2. Keep the glass panels straight while closing gap



Positioning the glass panels

Ensure this step is done properly to guarantee a correct installation of the Qabin Chat

Tools needed

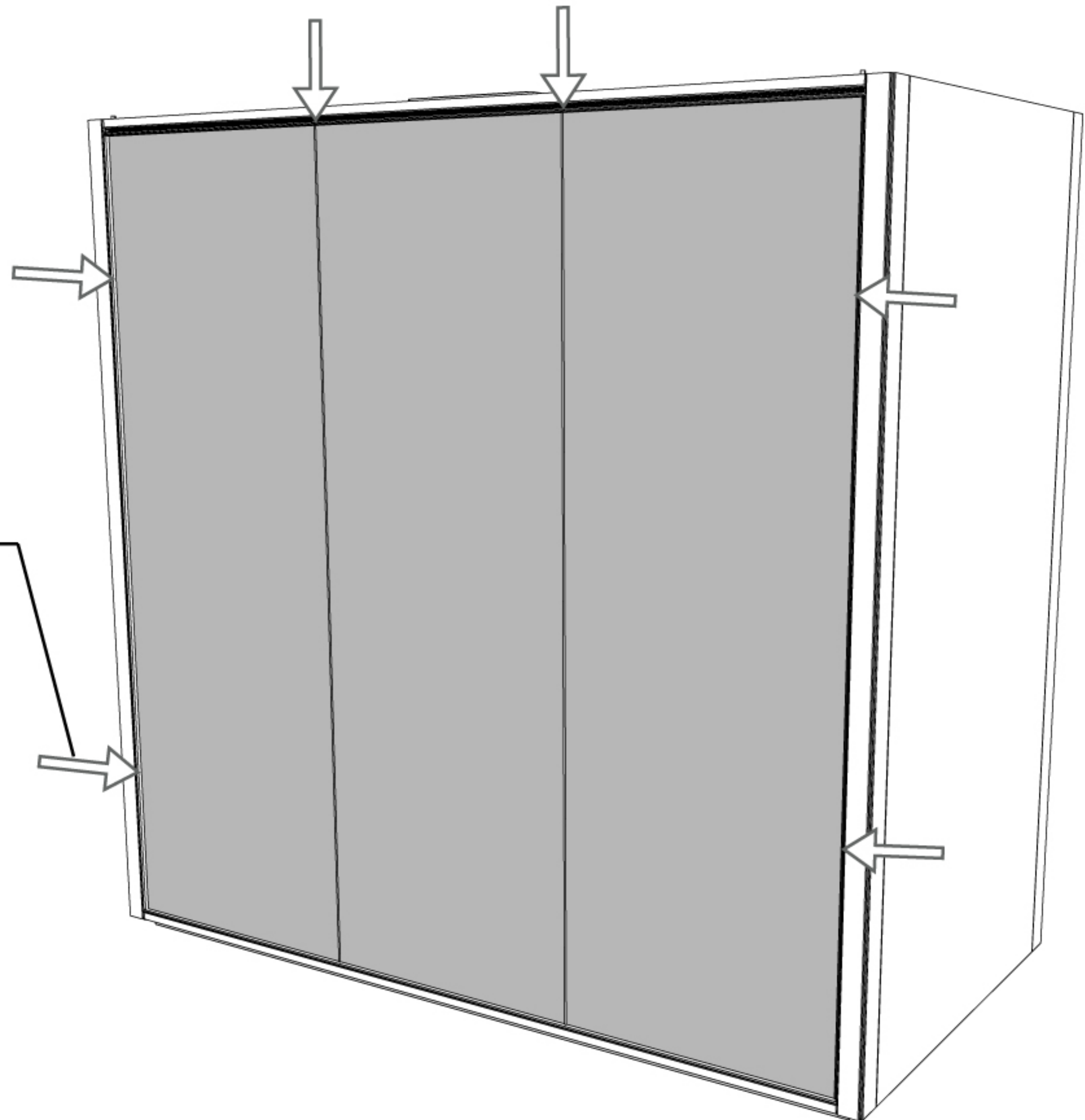


Ladder

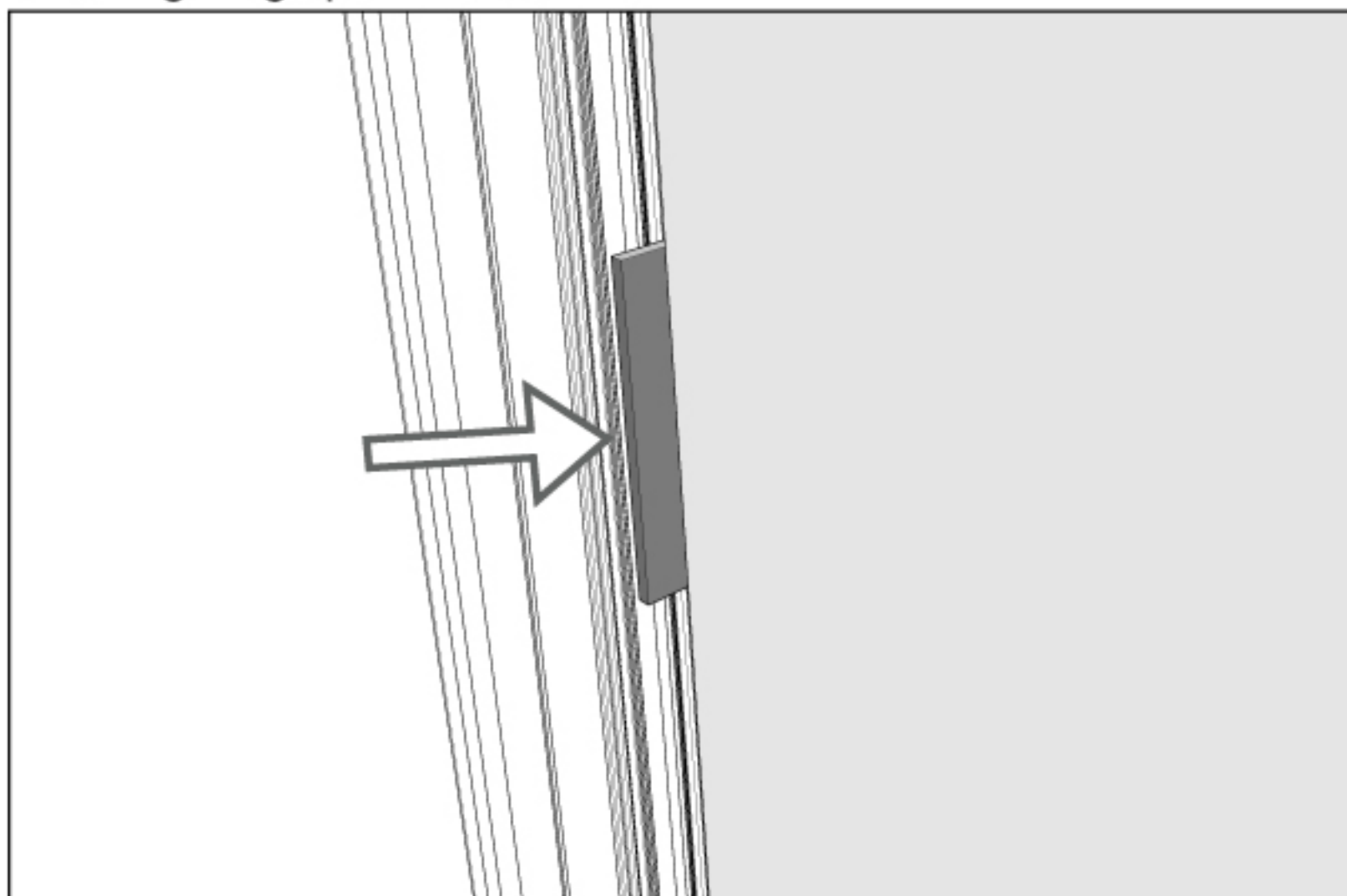


Glass carrier x 2

Suggested position of fillers



1. After the glass is in, add fillers to make the left and right gaps the same



2. This is an important step!

It is important to place an equal amount of the fillers at the correct position. An equal amount of the fillers will make sure the box is perfect vertical. It is also important to use the right amount or the right thickness of the fillers to "lock" the 3 glass panels.

You are done when the wall and the glass panels are vertical and the glass panels cannot be moved to the left or right anymore.

Secure glass with locking profile

After this step the glass panel is secure

Tools needed



Ladder



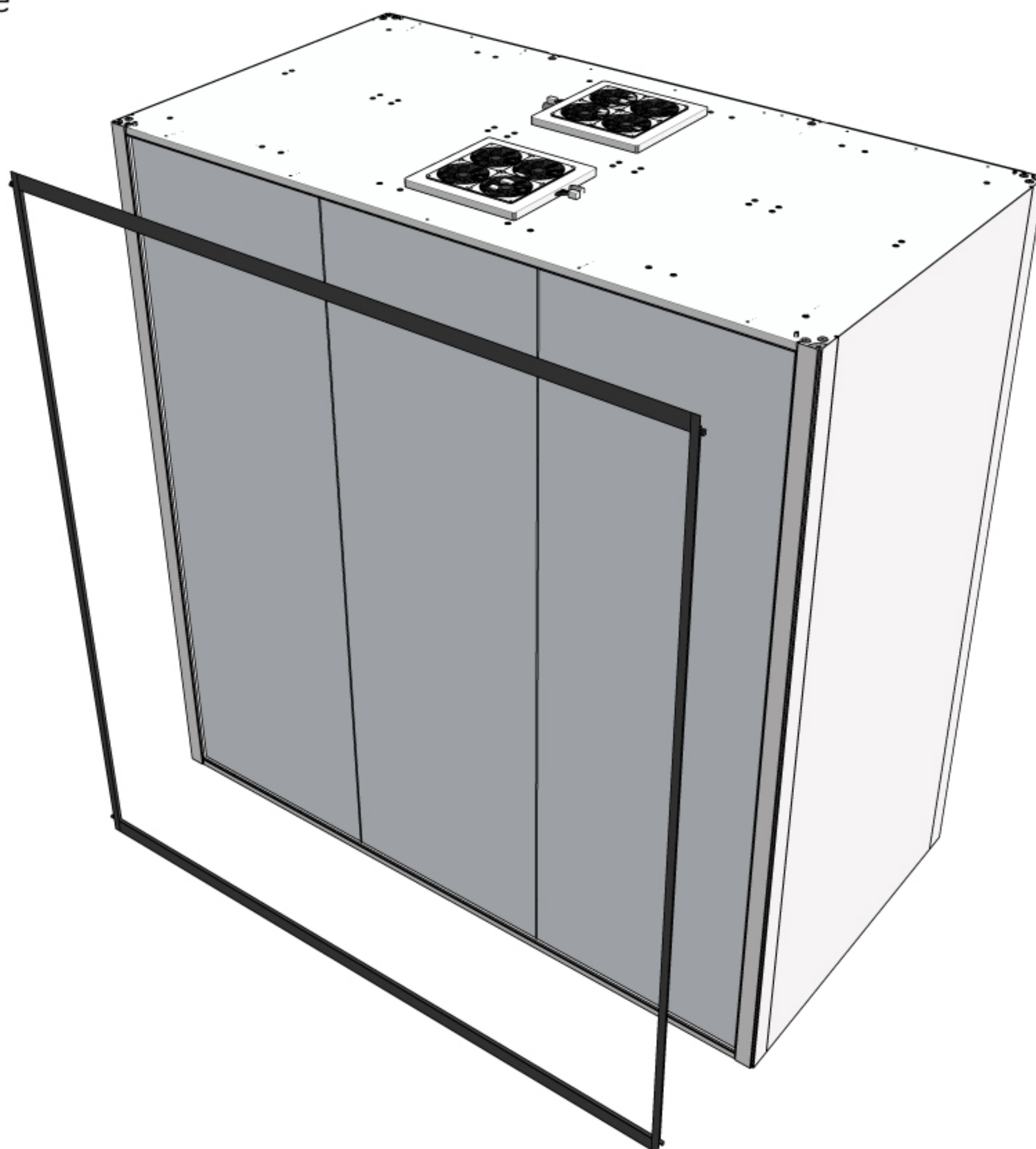
Rolling tool



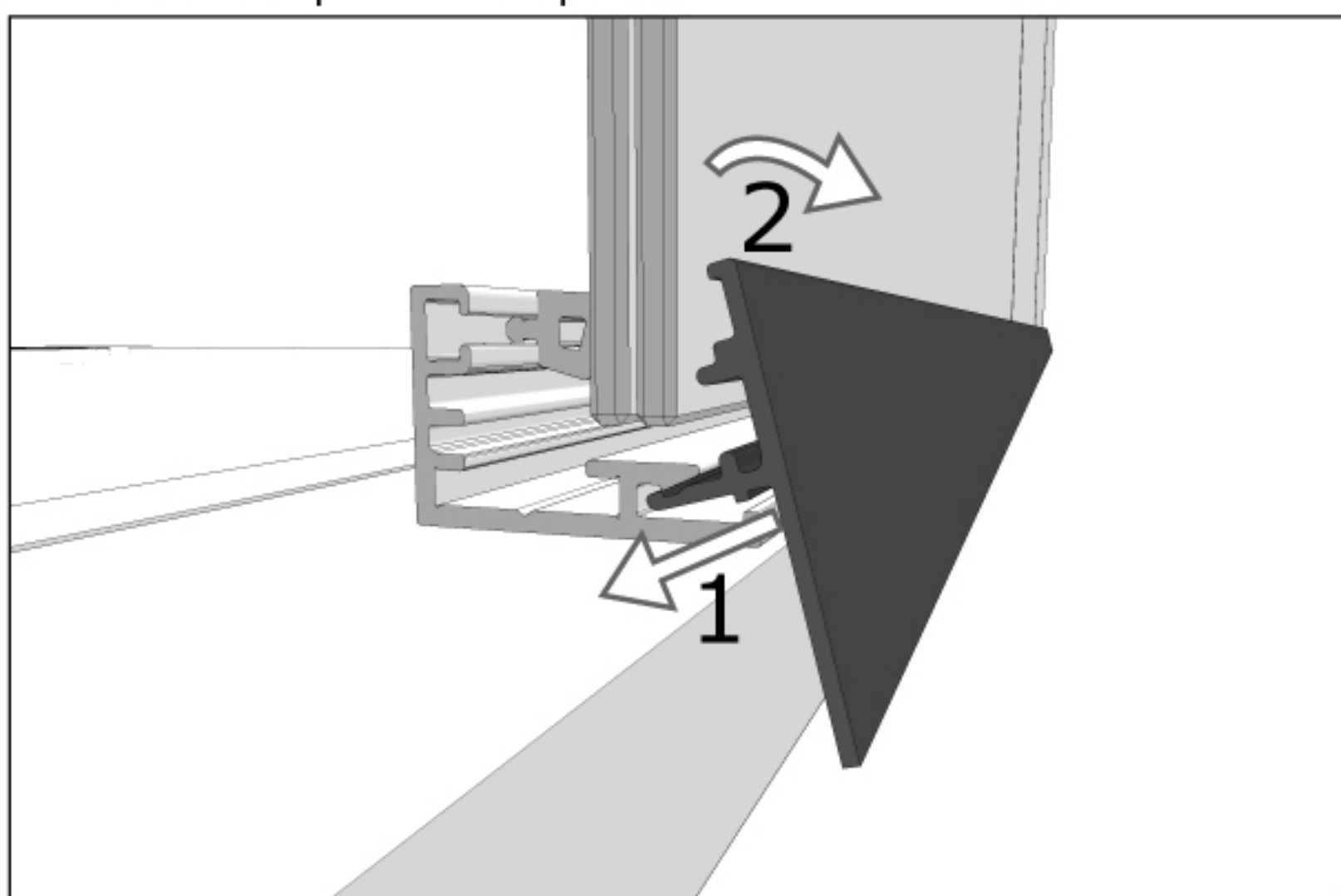
Glass cleaner



Rubber hammer

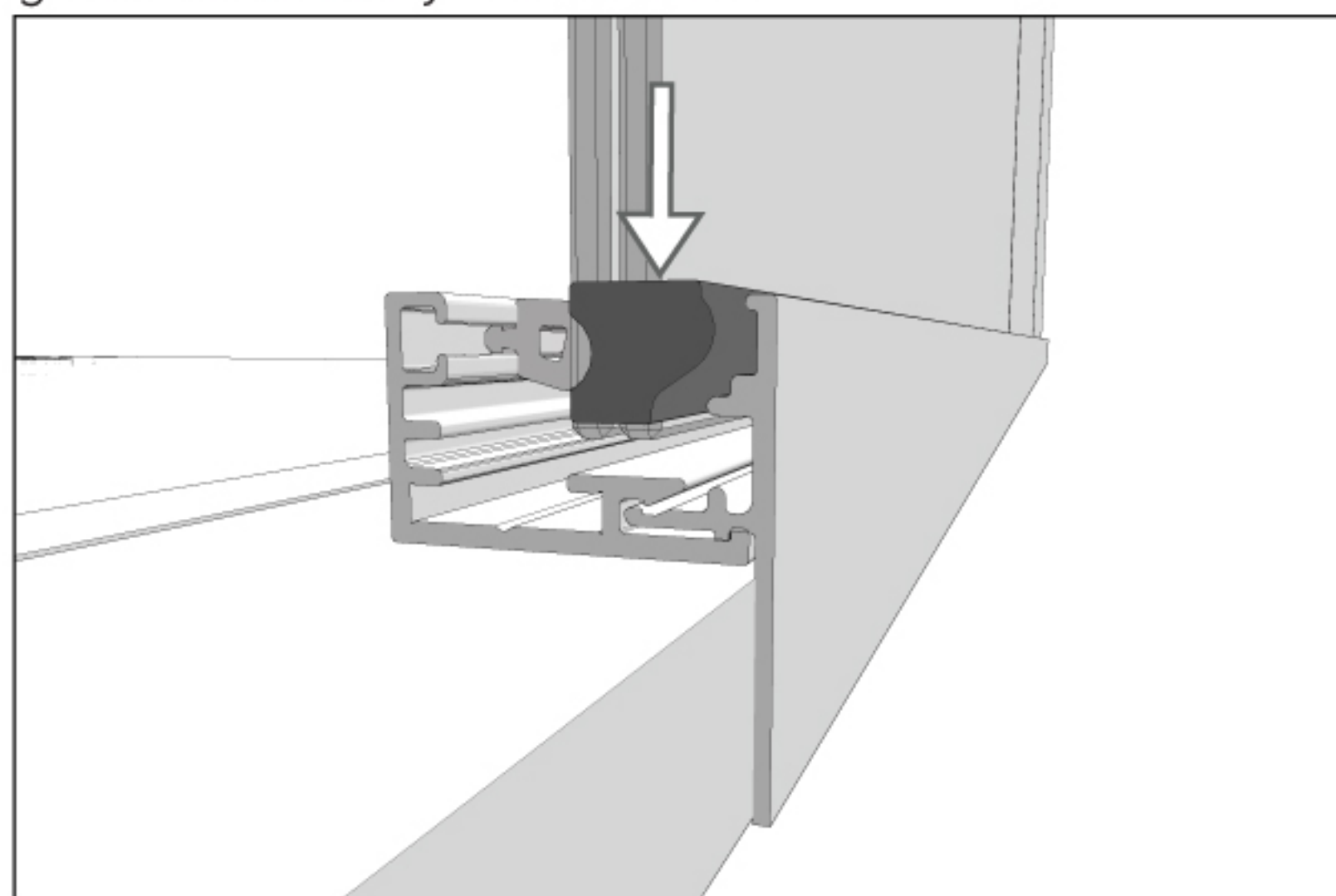


1. Click the profile in place



Rubber hammer

2. Use a rolling tool to push the gaskets between glass and profile (Please pay attention to the direction of the gaskets), use glass cleaner on gaskets for easy installation



Rolling tool



Glass cleaner

Place front side glass panels

Glass panels are the same size. Move the glass panels from the corners towards the door. They need to slide inside the door profile



WARNING

To prevent scratching when unpacking, lift the glass pieces from each other. Do not pull.

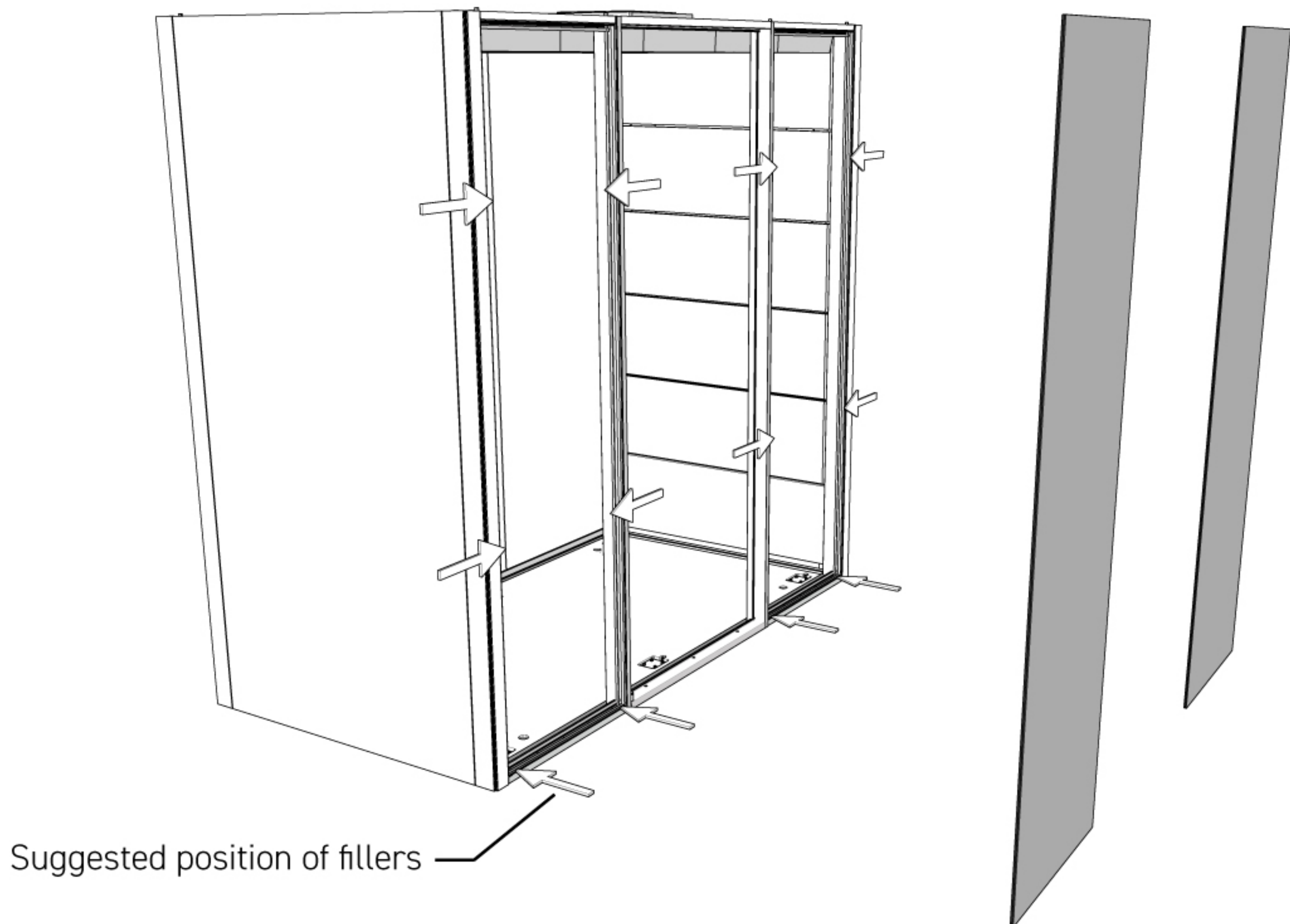
Tools needed



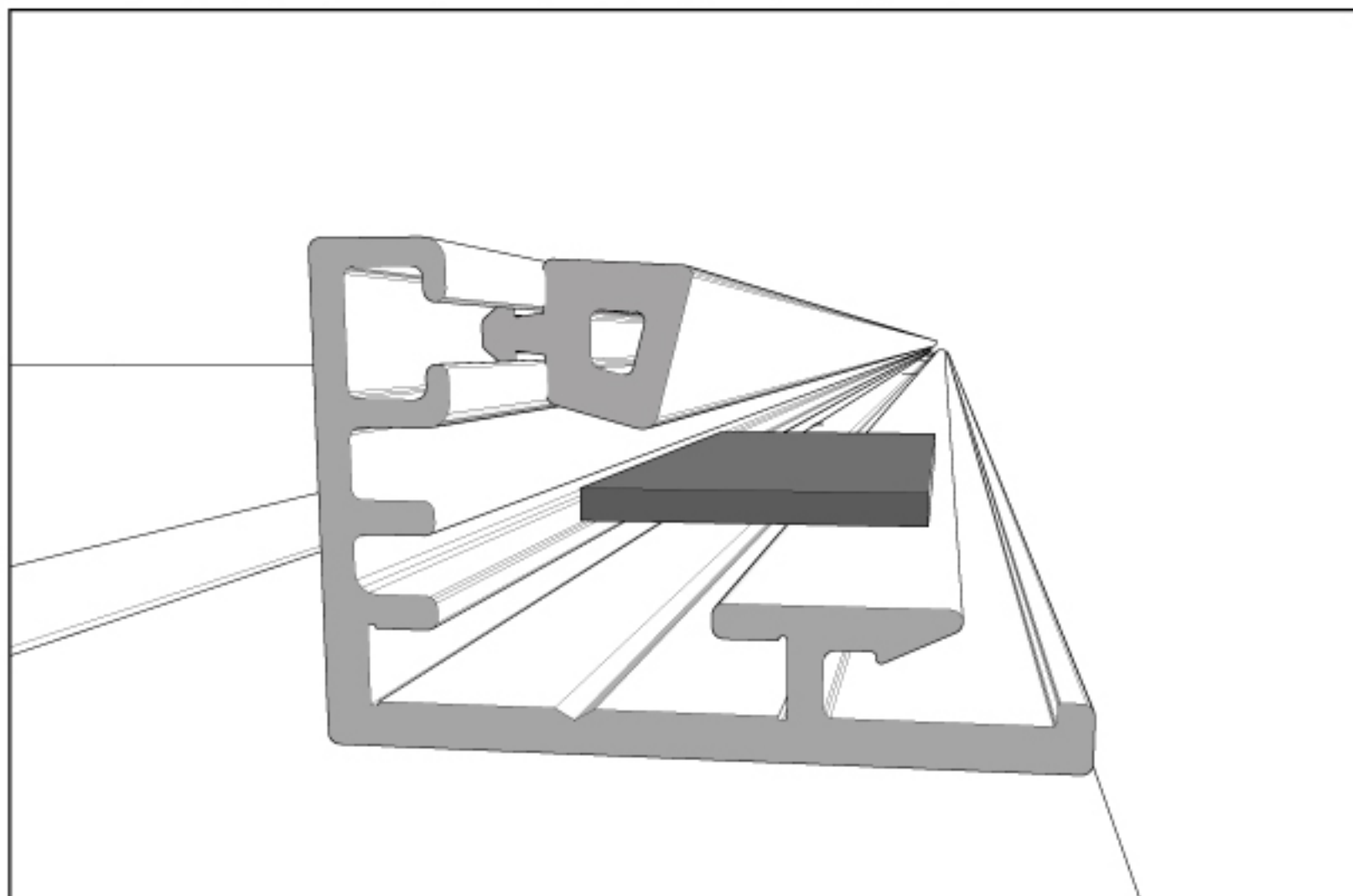
Ladder



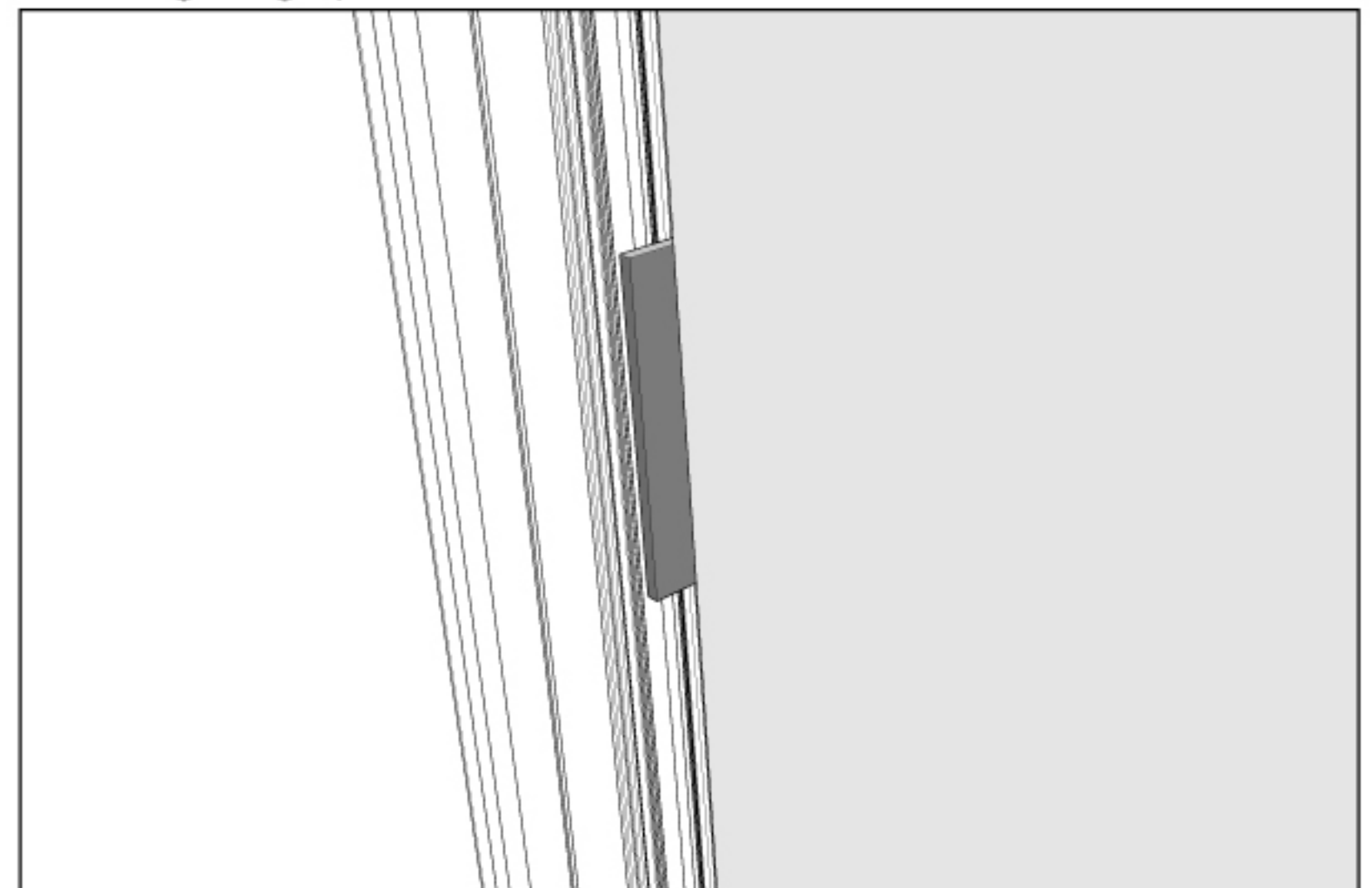
Glass carrier x 2



1. Make sure the fillers are horizontal



1. After the glass is in, add fillers to make the left and right gaps the same



Secure glass with locking profile

After this step the glass panel is secure

Tools needed



Ladder



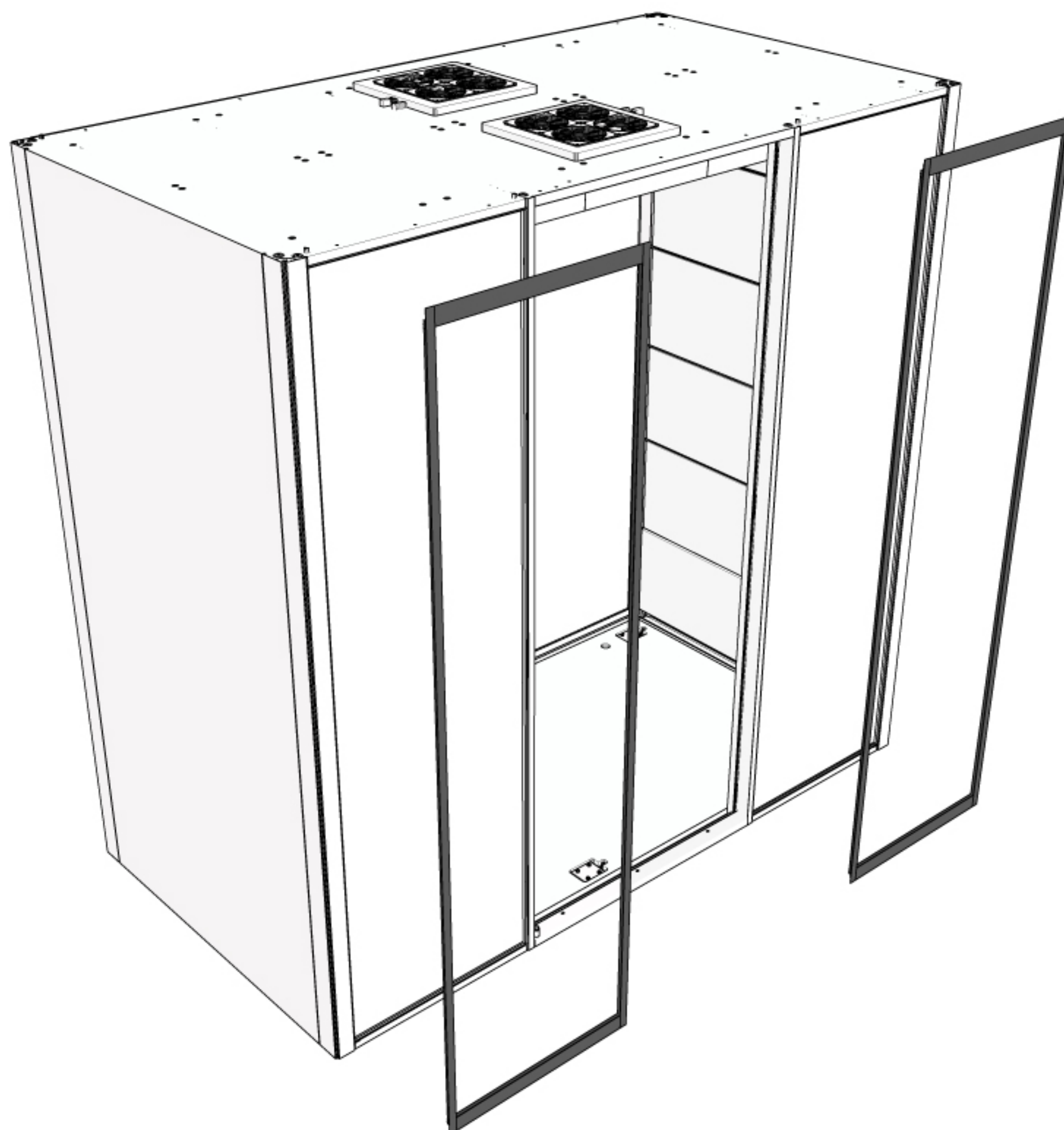
Rolling tool



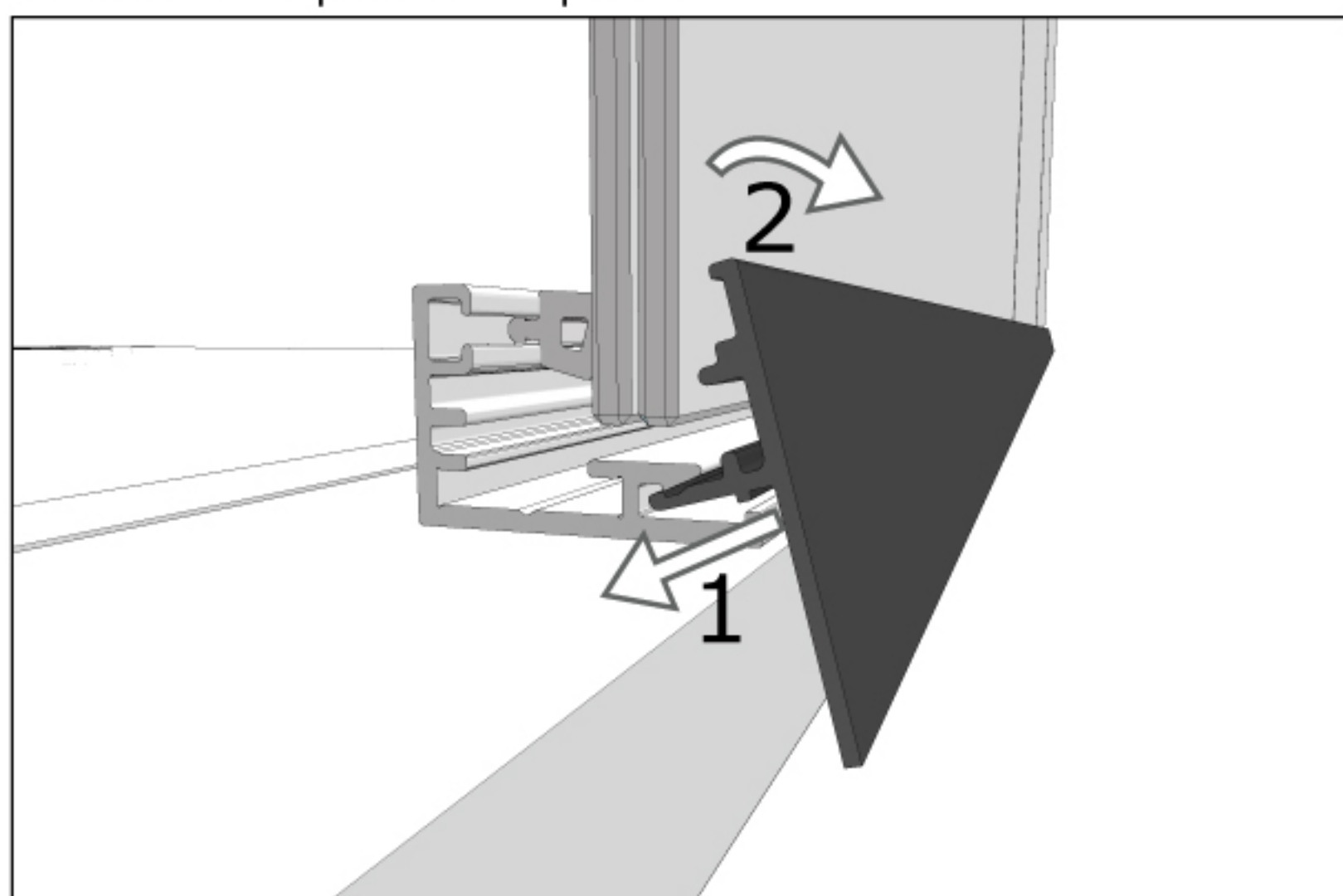
Glass cleaner



Rubber hammer

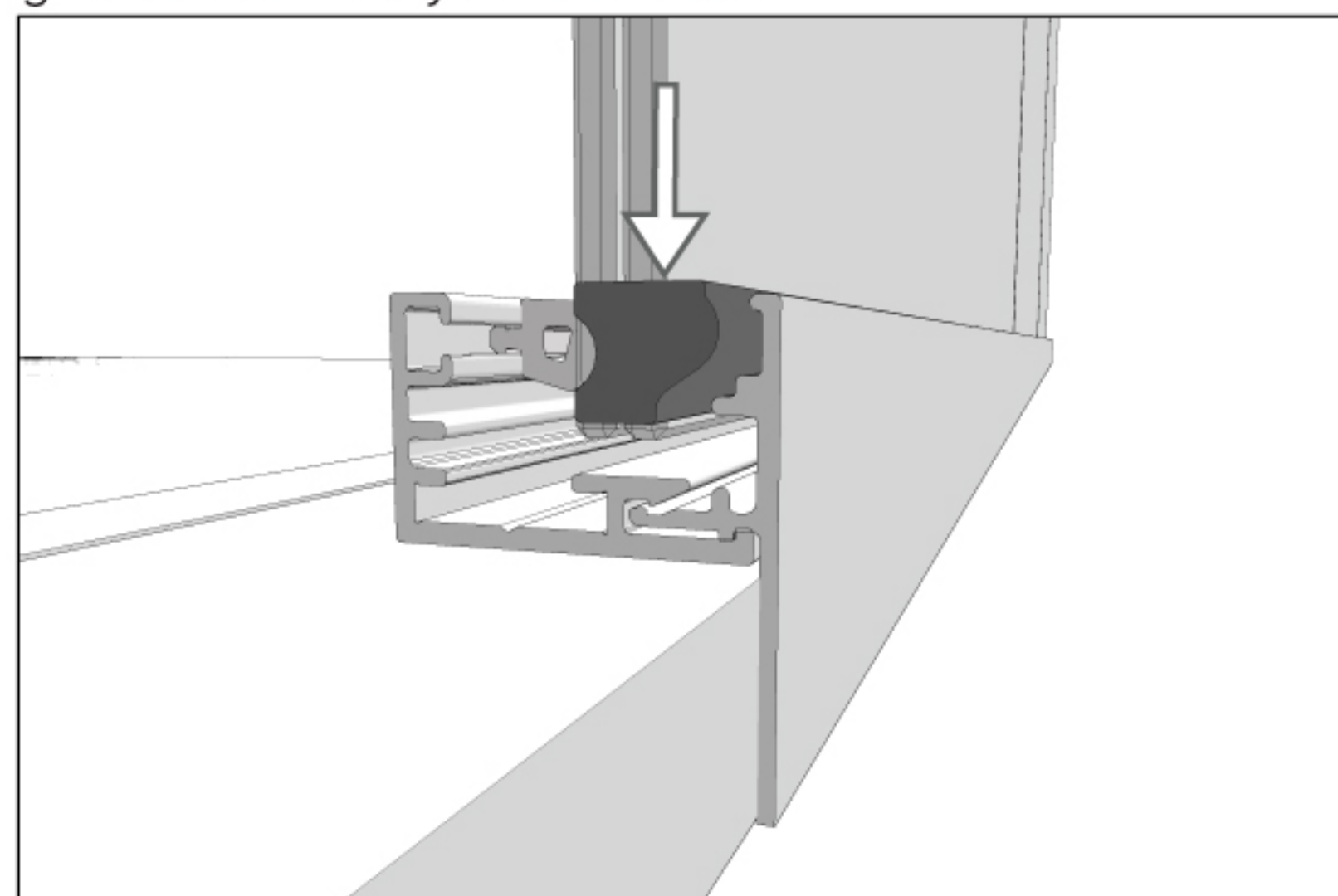


1. Click the profile in place



Rubber hammer

2. Use a rolling tool to push the gaskets between glass and profile (Please pay attention to the direction of the gaskets), use glass cleaner on gaskets for easy installation



Rolling tool



Glass cleaner

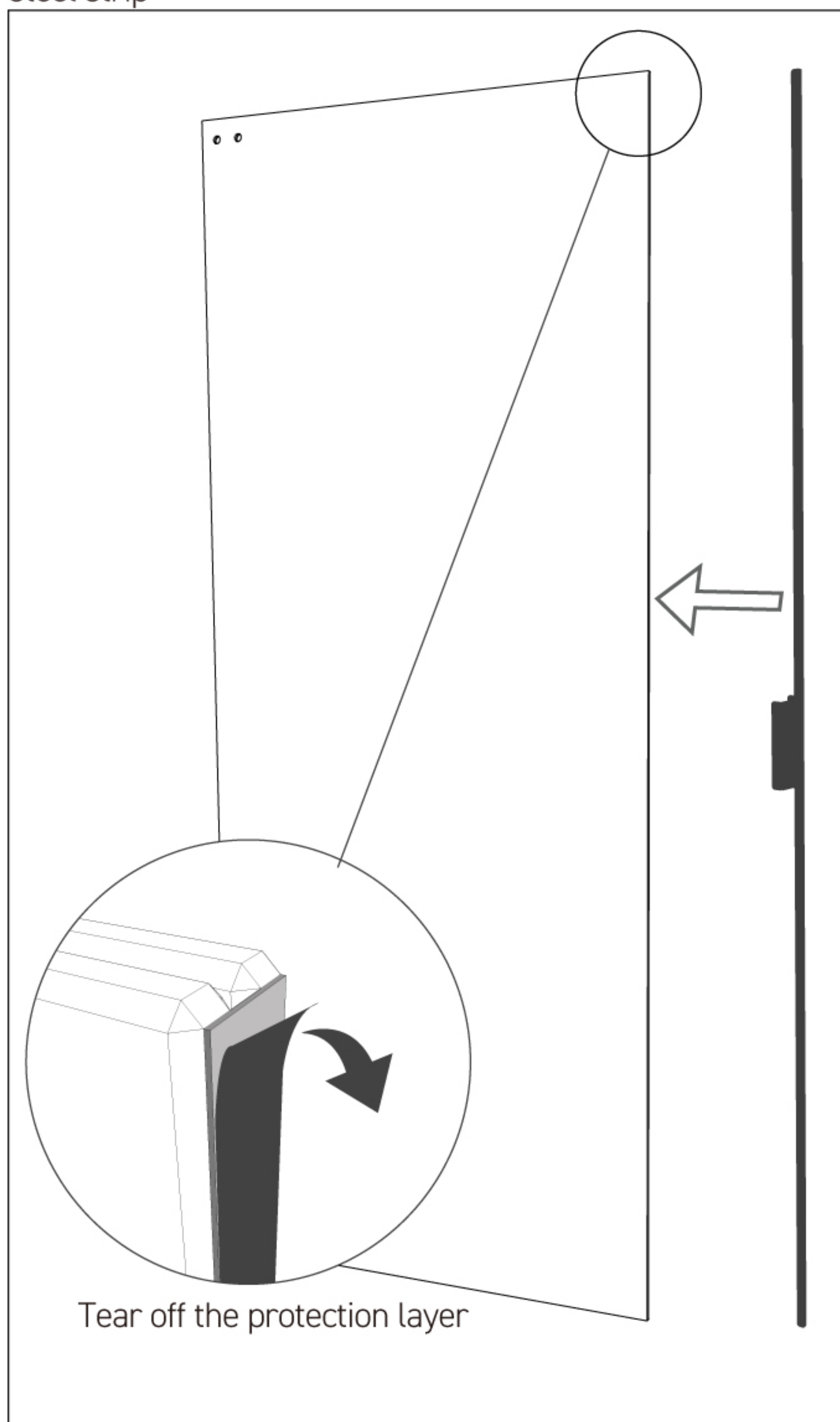
Install door steel strip

Tear off the protection layer first then install the door steel strip, note the position of the glass door hinges

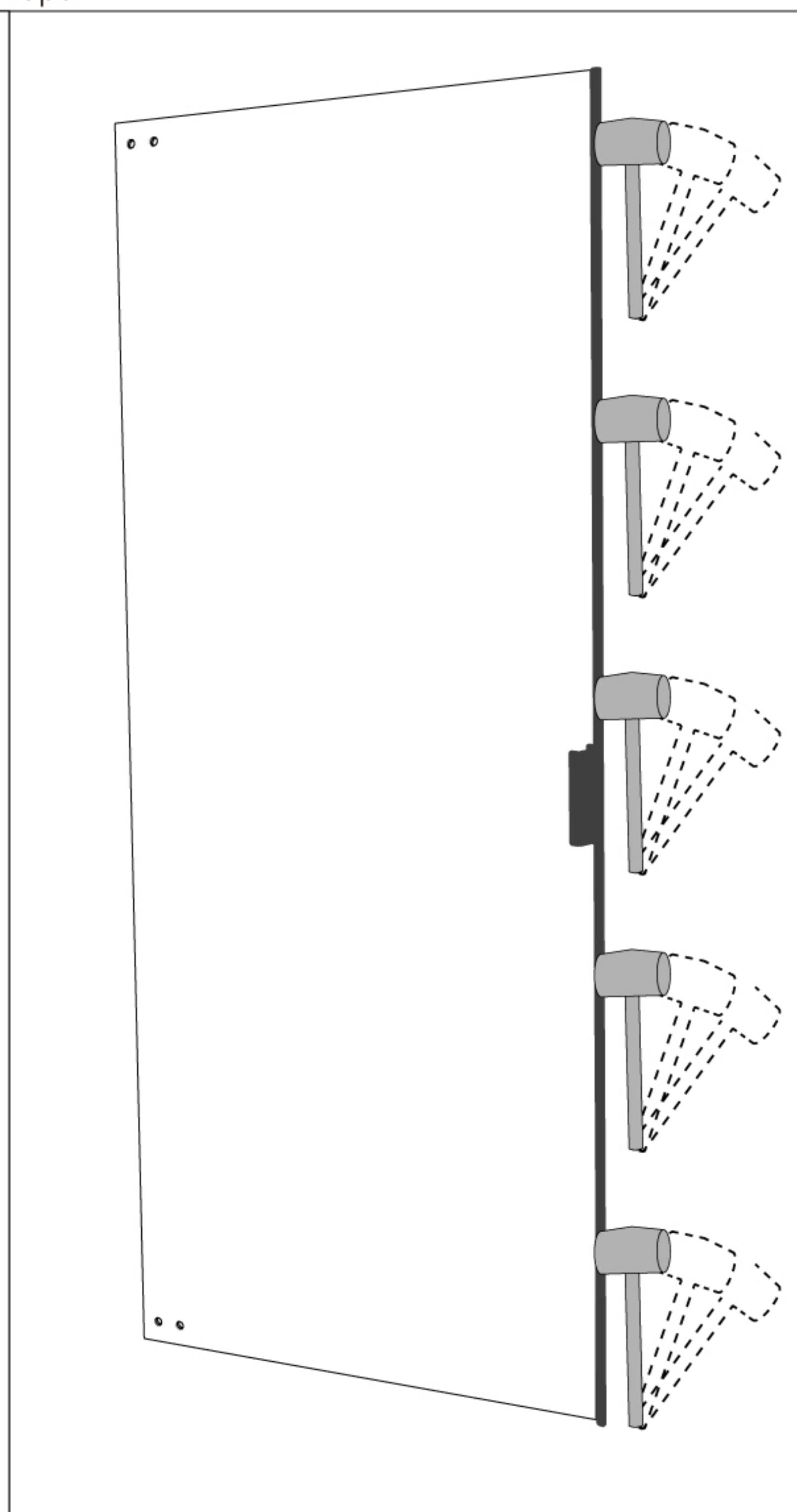
Tools needed



1. Tear off the protection layer first then install the door steel strip



2. Use a rubber hammer to hit the door steel strip to make the steel strip is fully in contact with the glass tape



Place the door on the bottom door pin

Test the bottom hinge height without the glass first, the gap should be around 2-3mm from the floor.

Ensure the hinge is aligned with the bottom of the glass before tightening the screws.

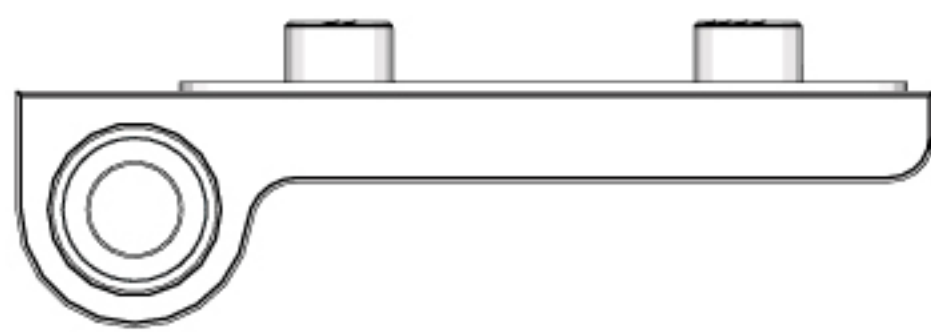
Tools needed



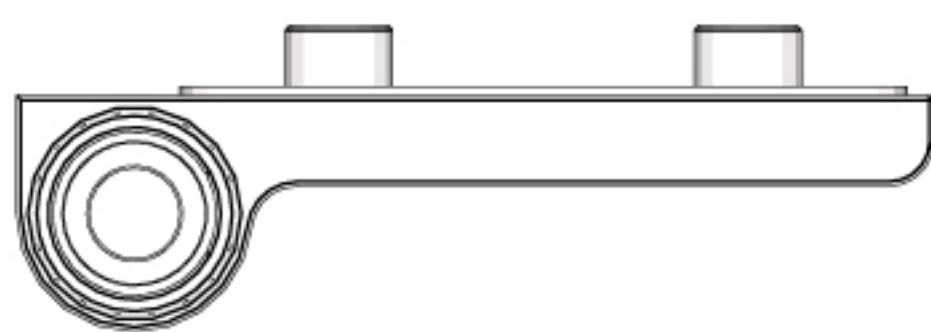
Powertool



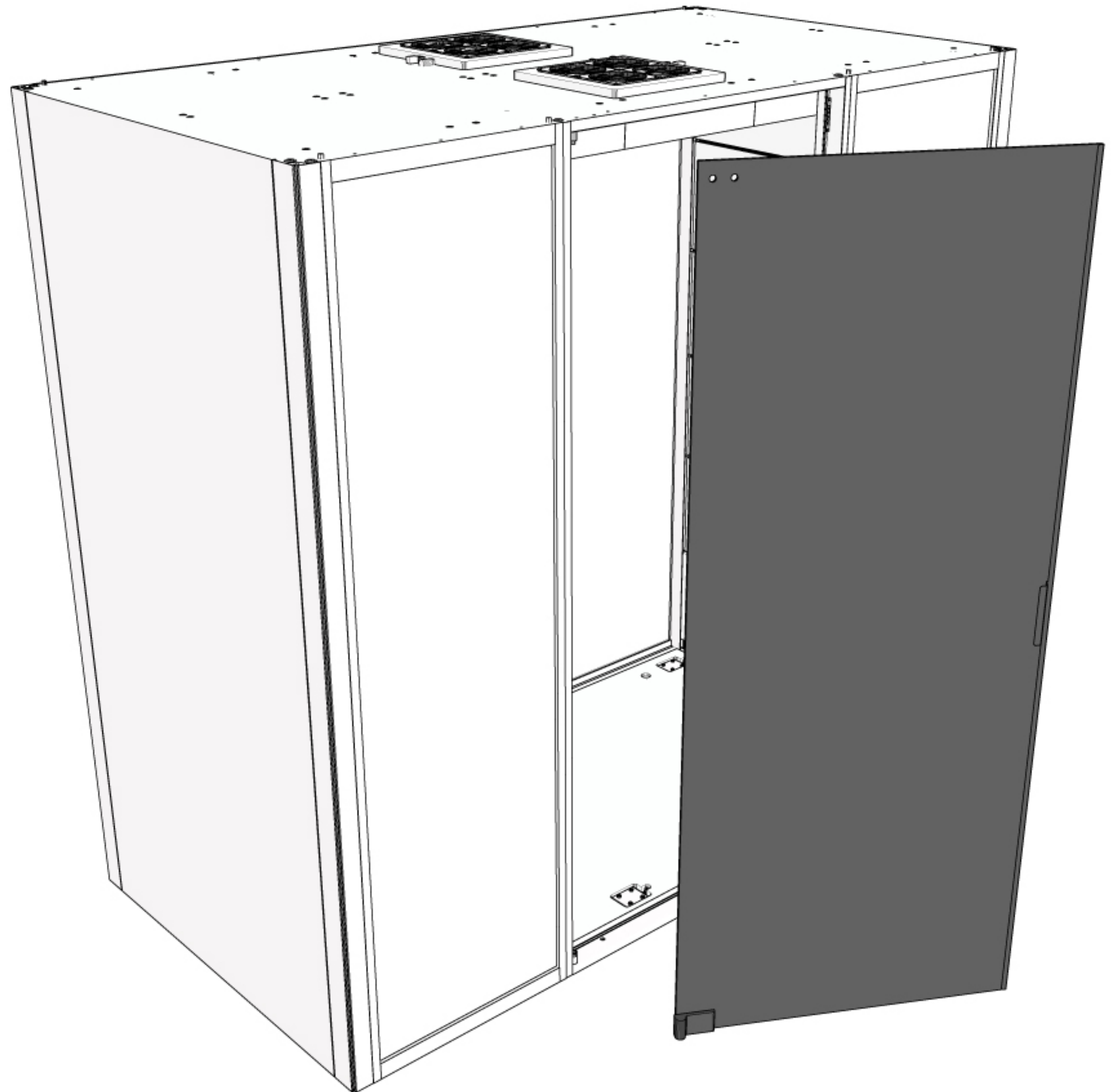
Glass carrier



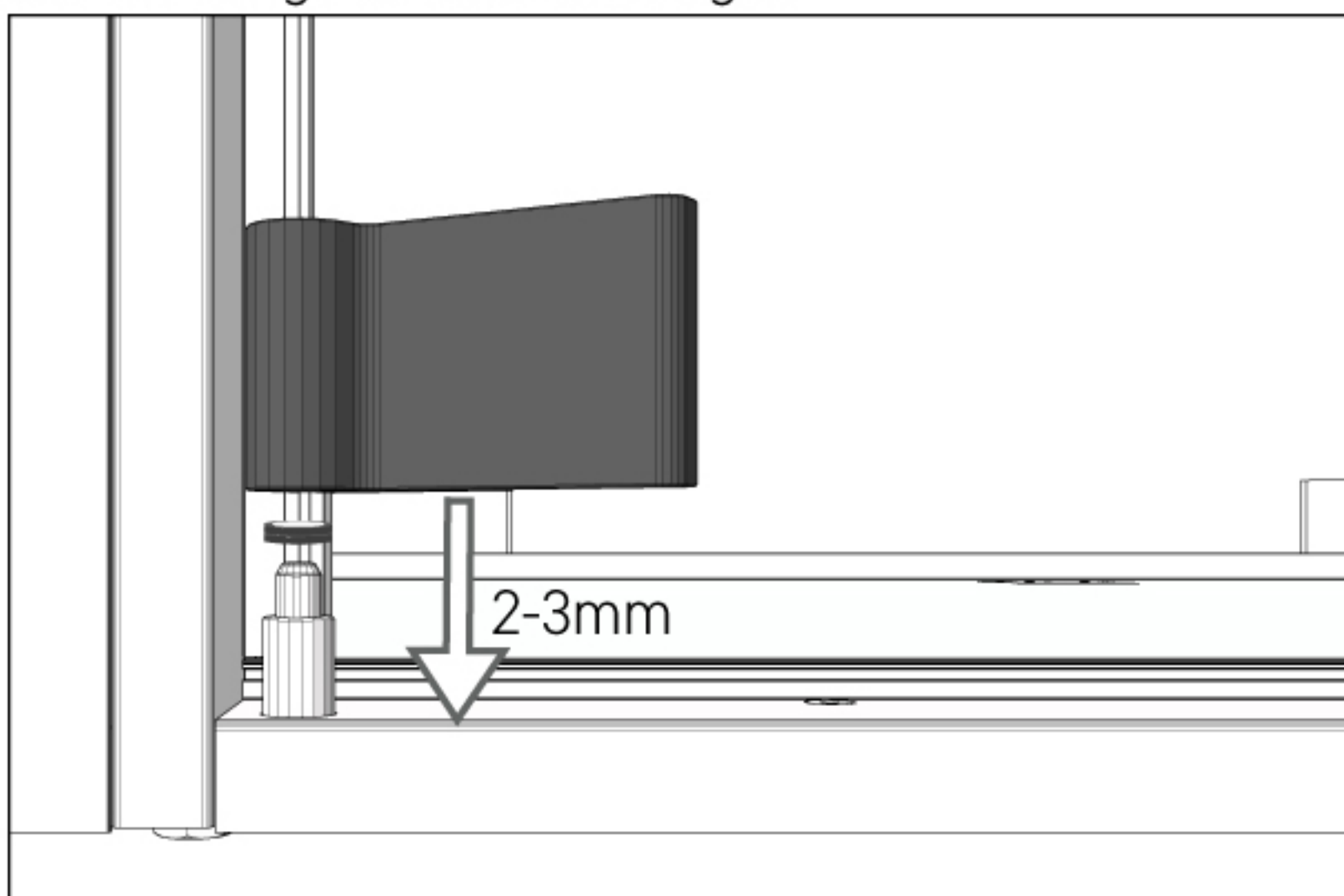
The top hinge



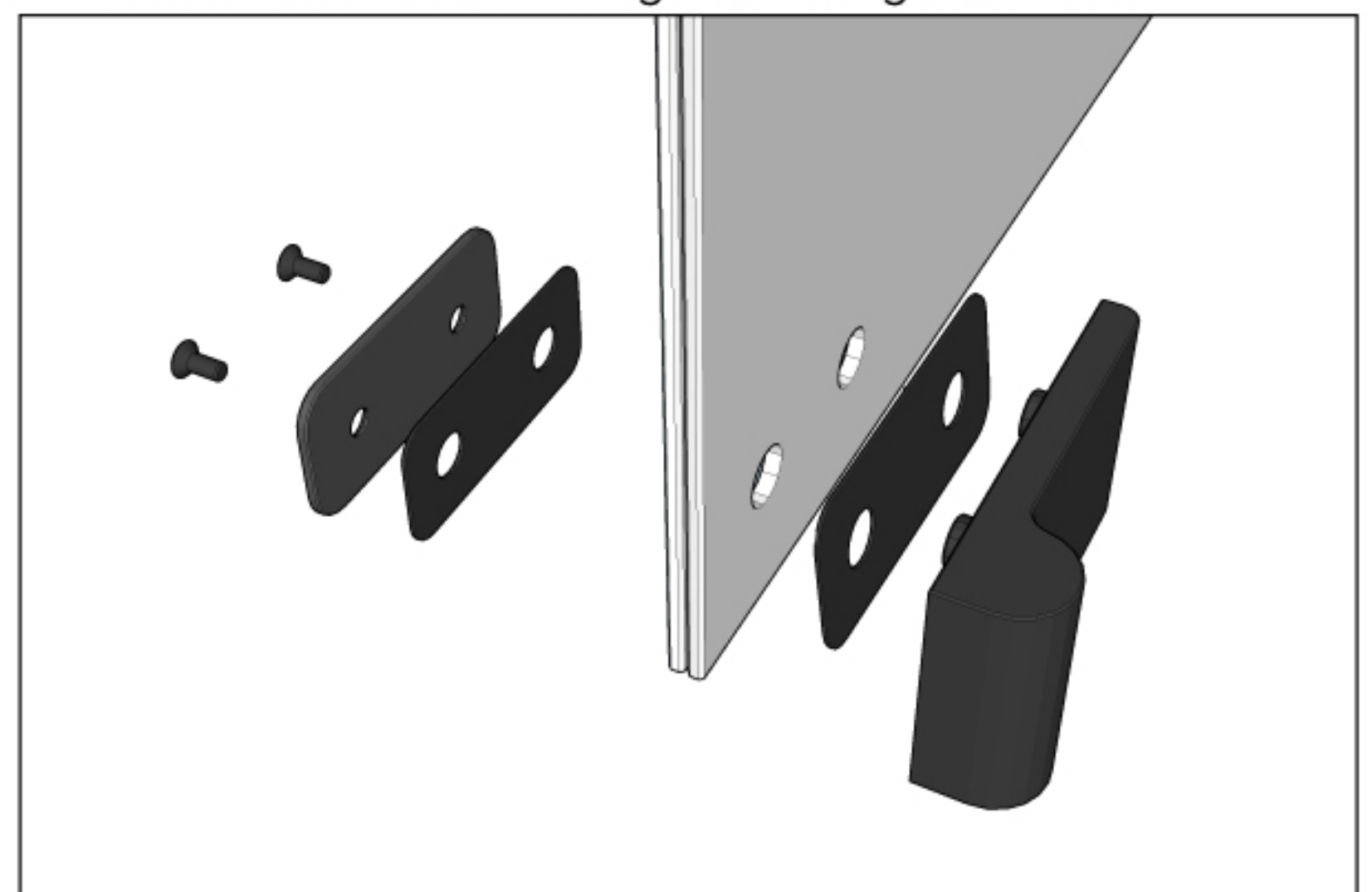
The bottom hinge



1. Ensure the door pin has enough washers to set the hinge at correct height



2. Install the bottom hinge to the glass first



Install the top hinge to the glass

Check if the glass door is vertical. If not, then loosen screws, re-align and try again. When the door is left open, it is either at standstill or closes.

Tools needed



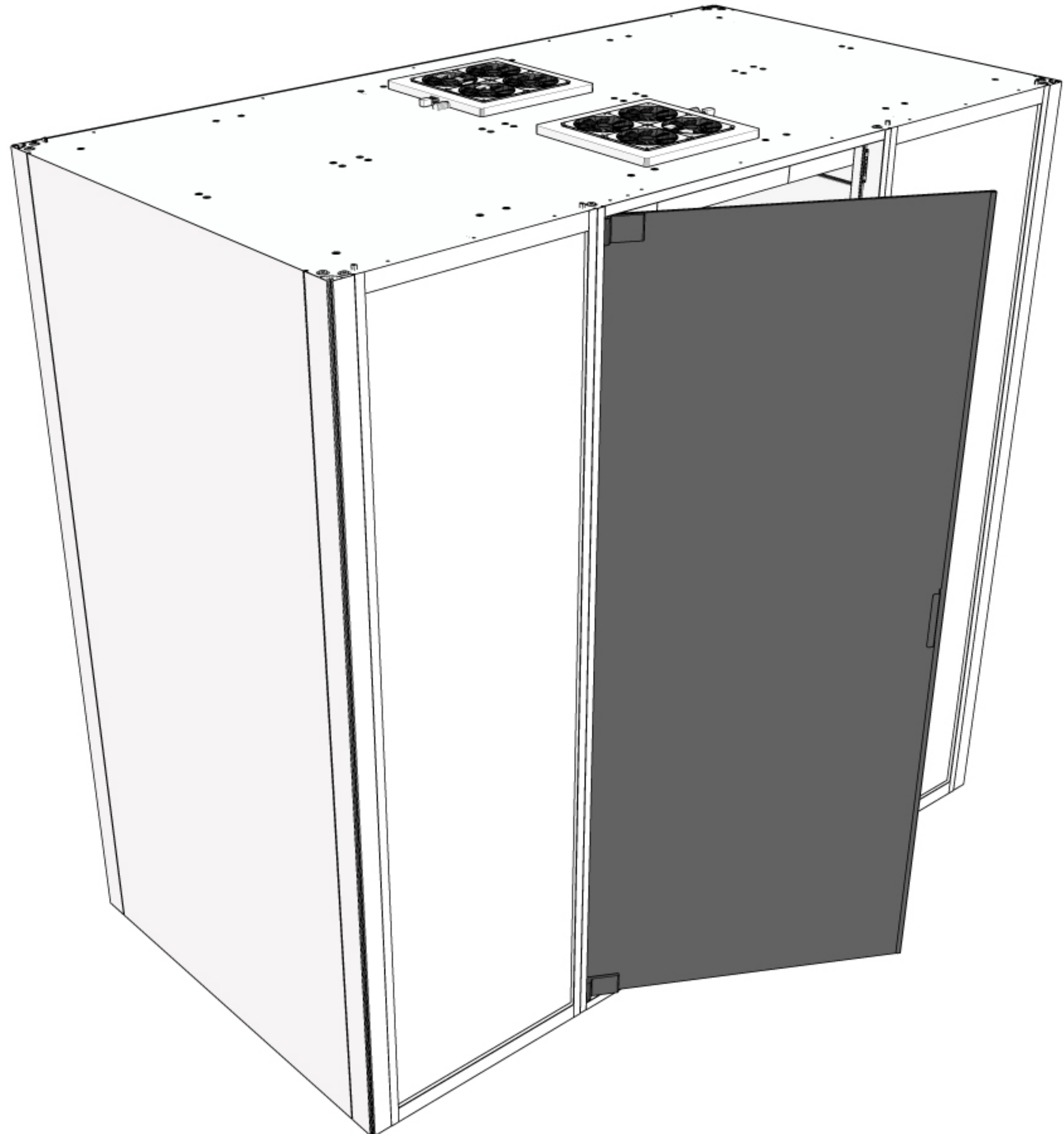
Ladder



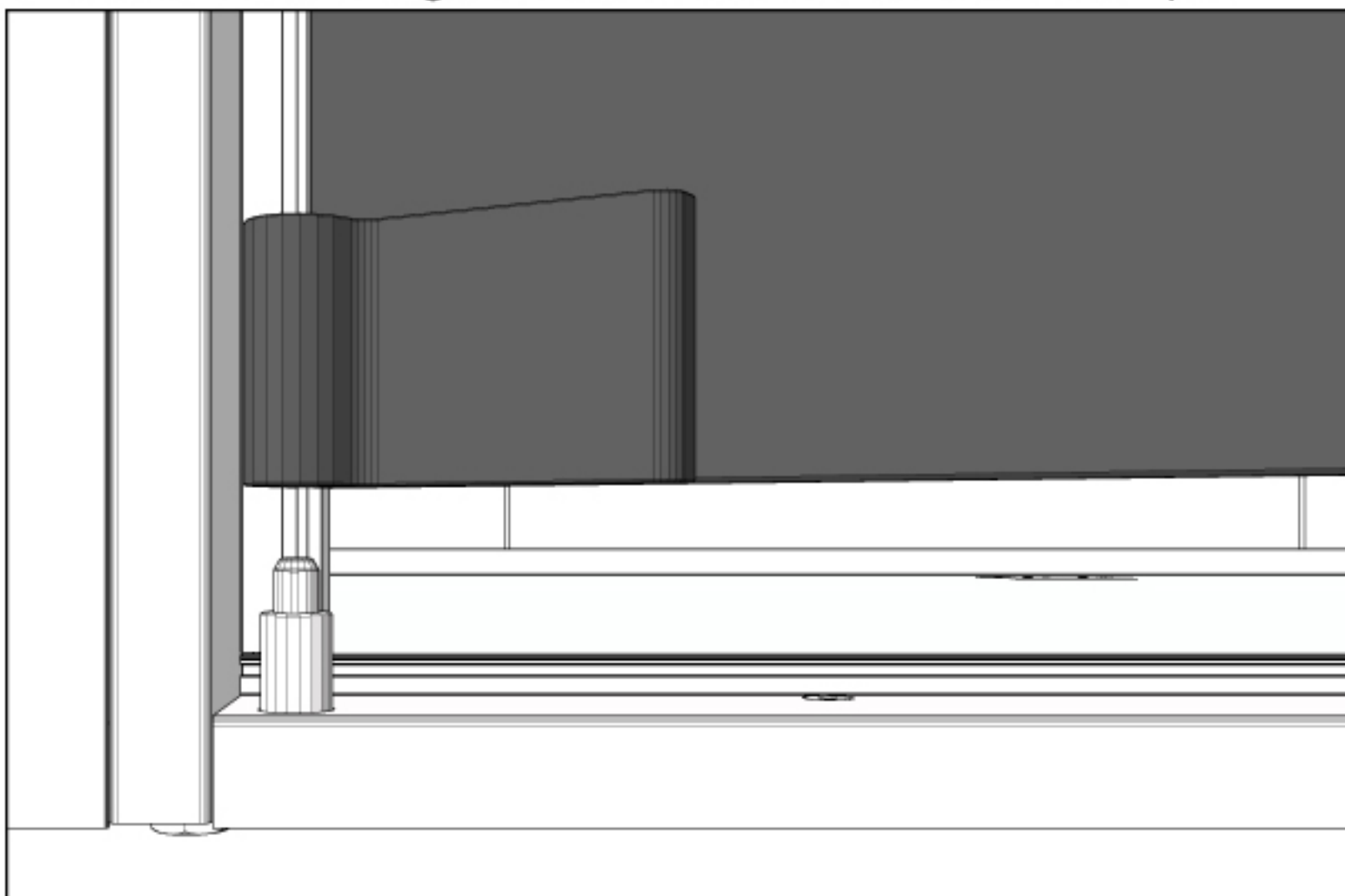
Powertool



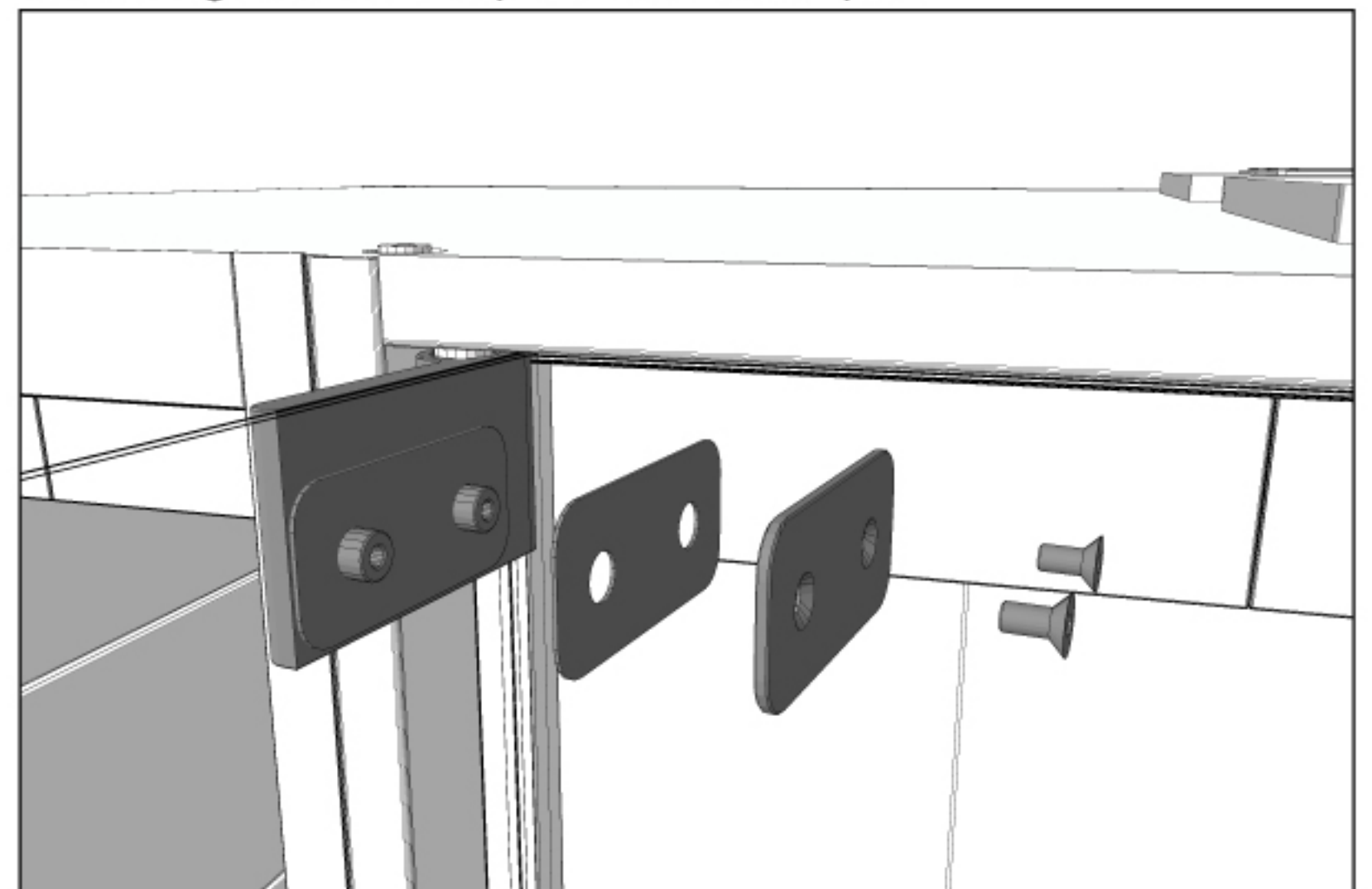
Glass carrier



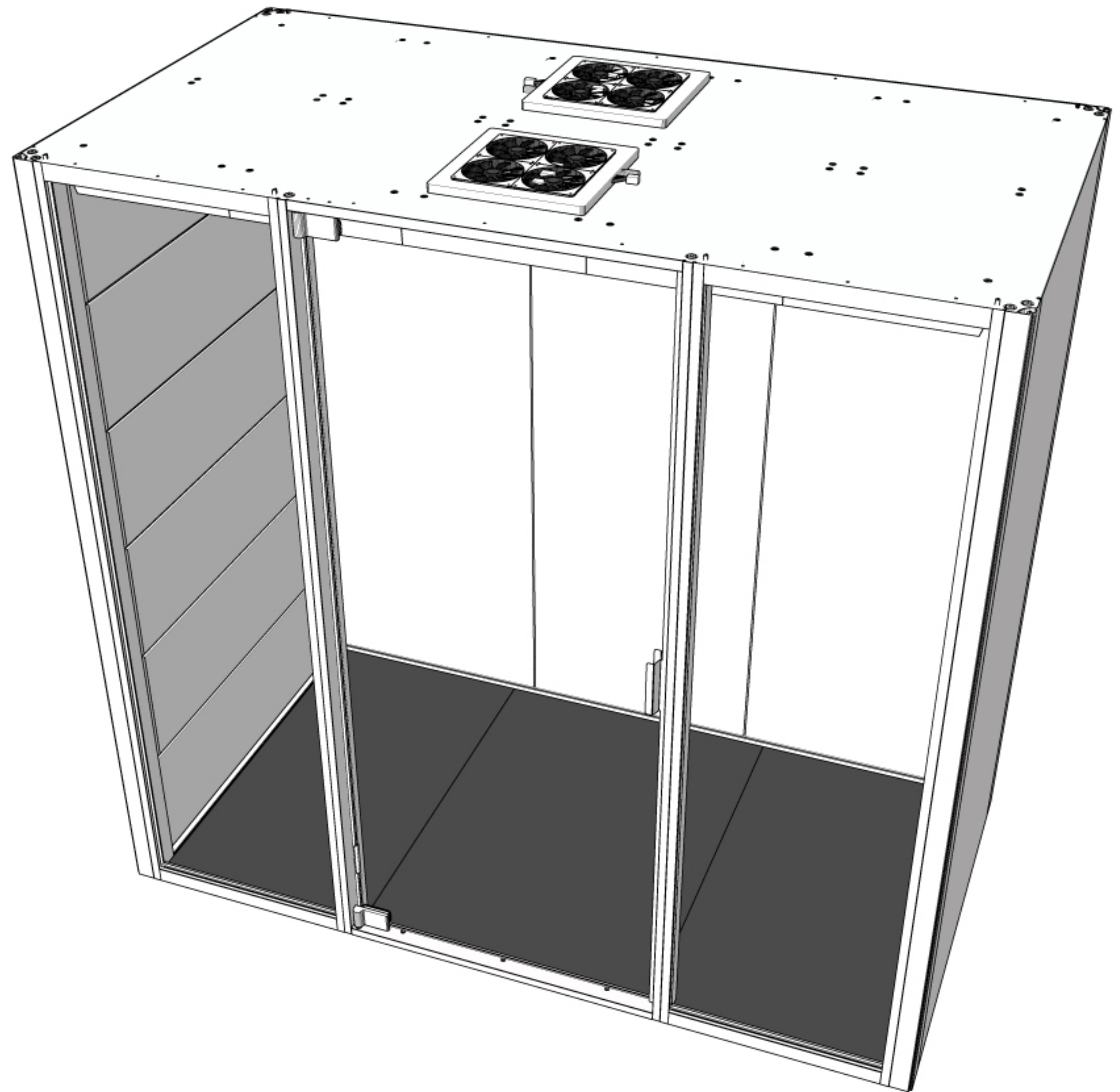
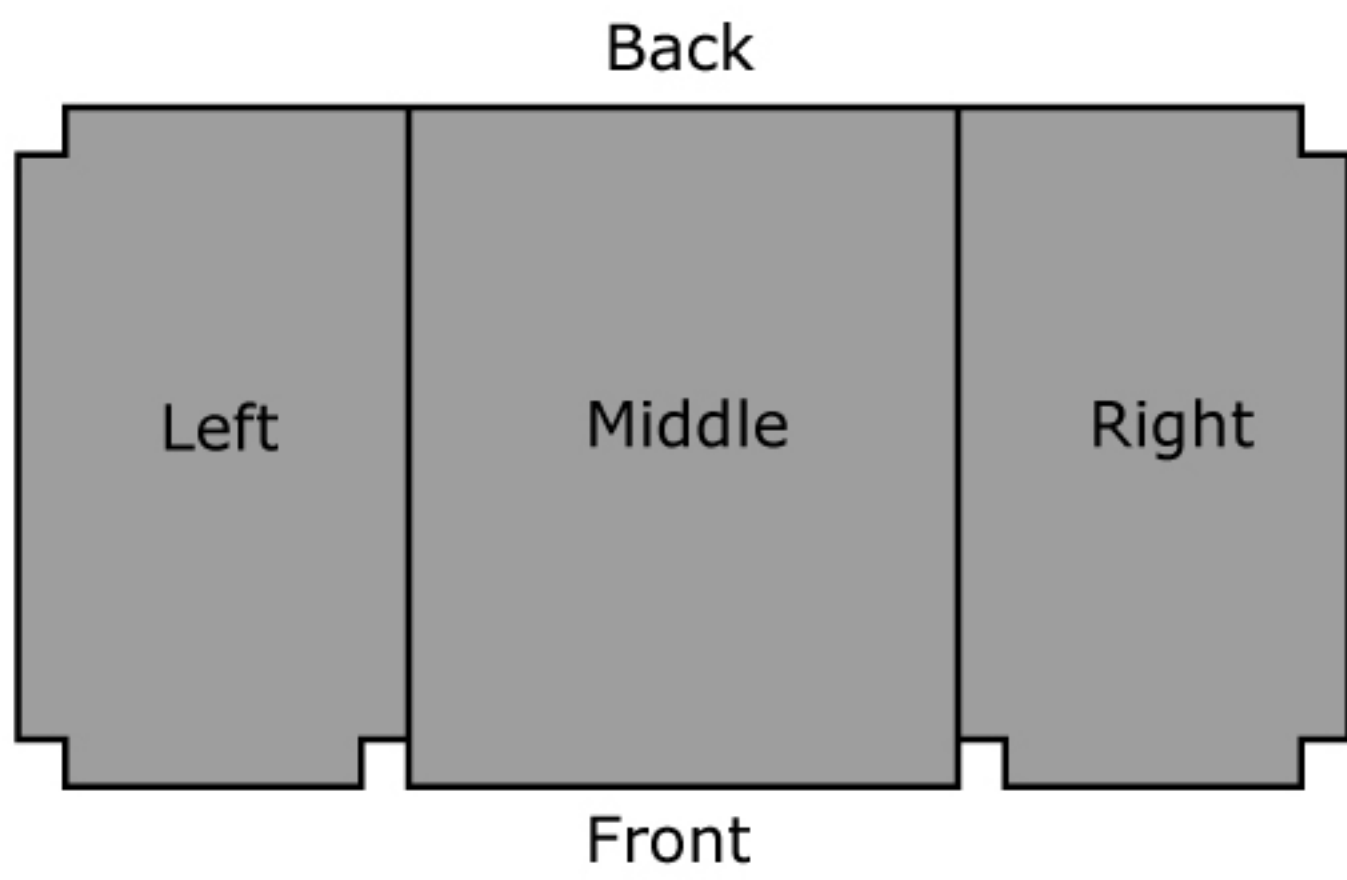
1. Insert the hinge to the bottom of the door pin



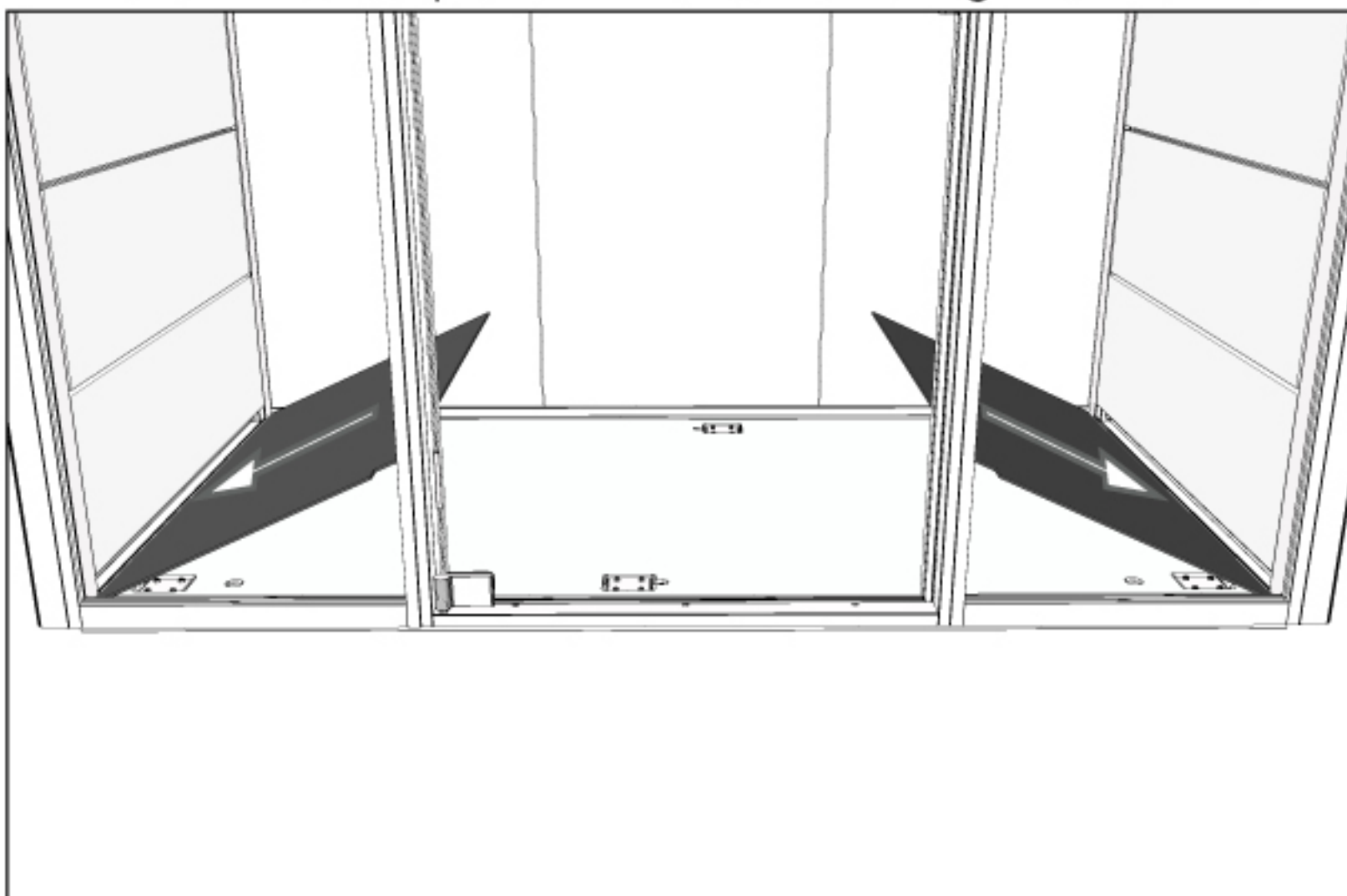
2. Install the top hinge to the glass while you insert the hinge to the top of the door pin



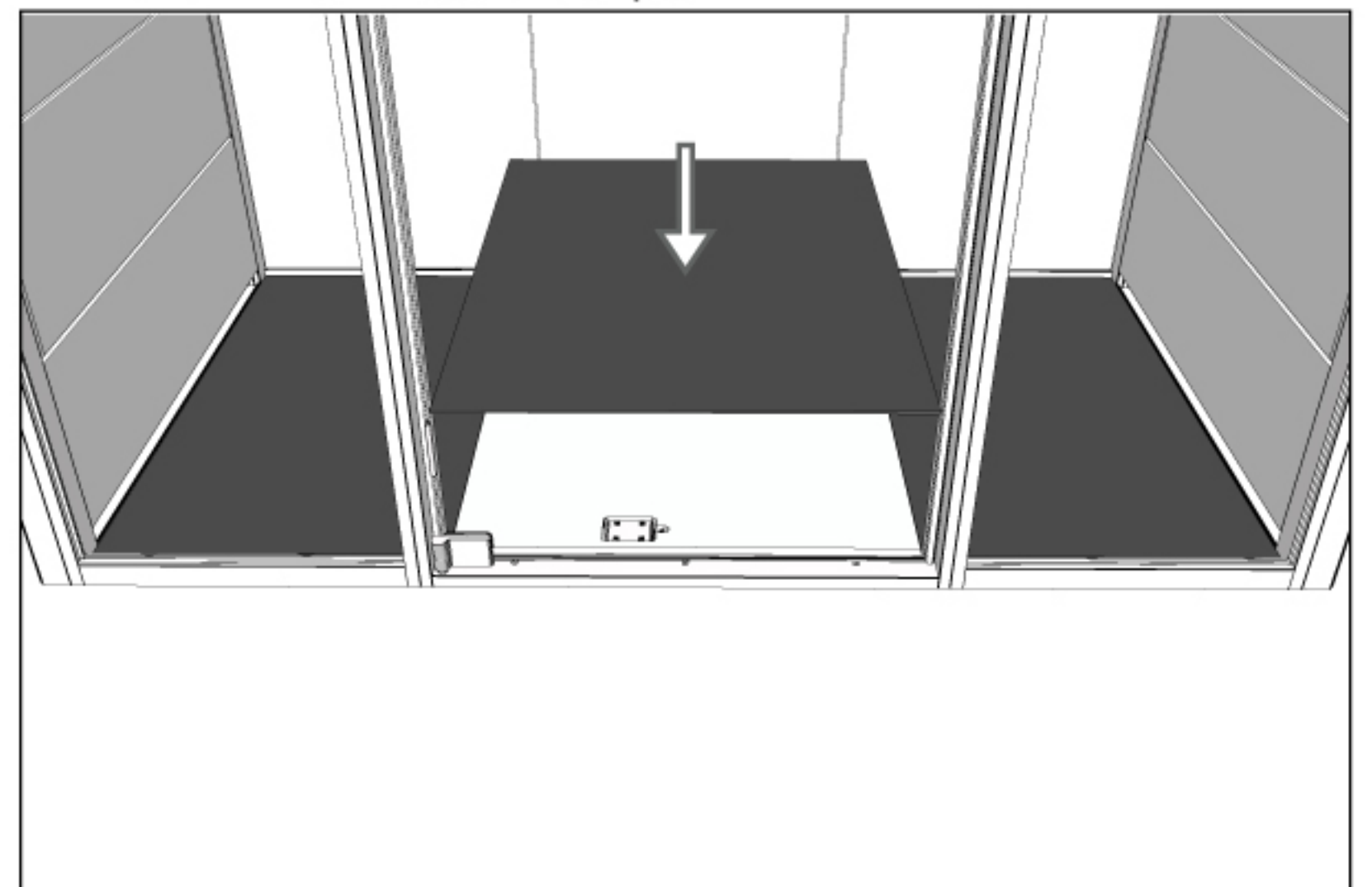
Install the carpet assembly



1. Install the carpet on the left and right side first



2. Install the middle carpet



Checklist for Qabin Chat

NO.	Position	Inspection
1	All bolts are tightened according to instructions	
2	The Qabin is not on wheels and the adjustfeet are stable on the ground	
3	All glasses are installed evenly and according to instructions	
4	All glass gaskets are installed according to instructions	
5	When the door is left open, it is either at standstill or closes	
6	The door gaps are even and have full contact with the gaskets	
7	The door handle is not loose or can come off and is installed according to instructions	
8	Can turn the light and fan on and off	
9	It is possible to adjust the fan intensity	
10	Cables are connected and hidden properly	
11	Power unit on the tabletop is working	

Finish

Remove the protective blue film
when the assembly is completed

