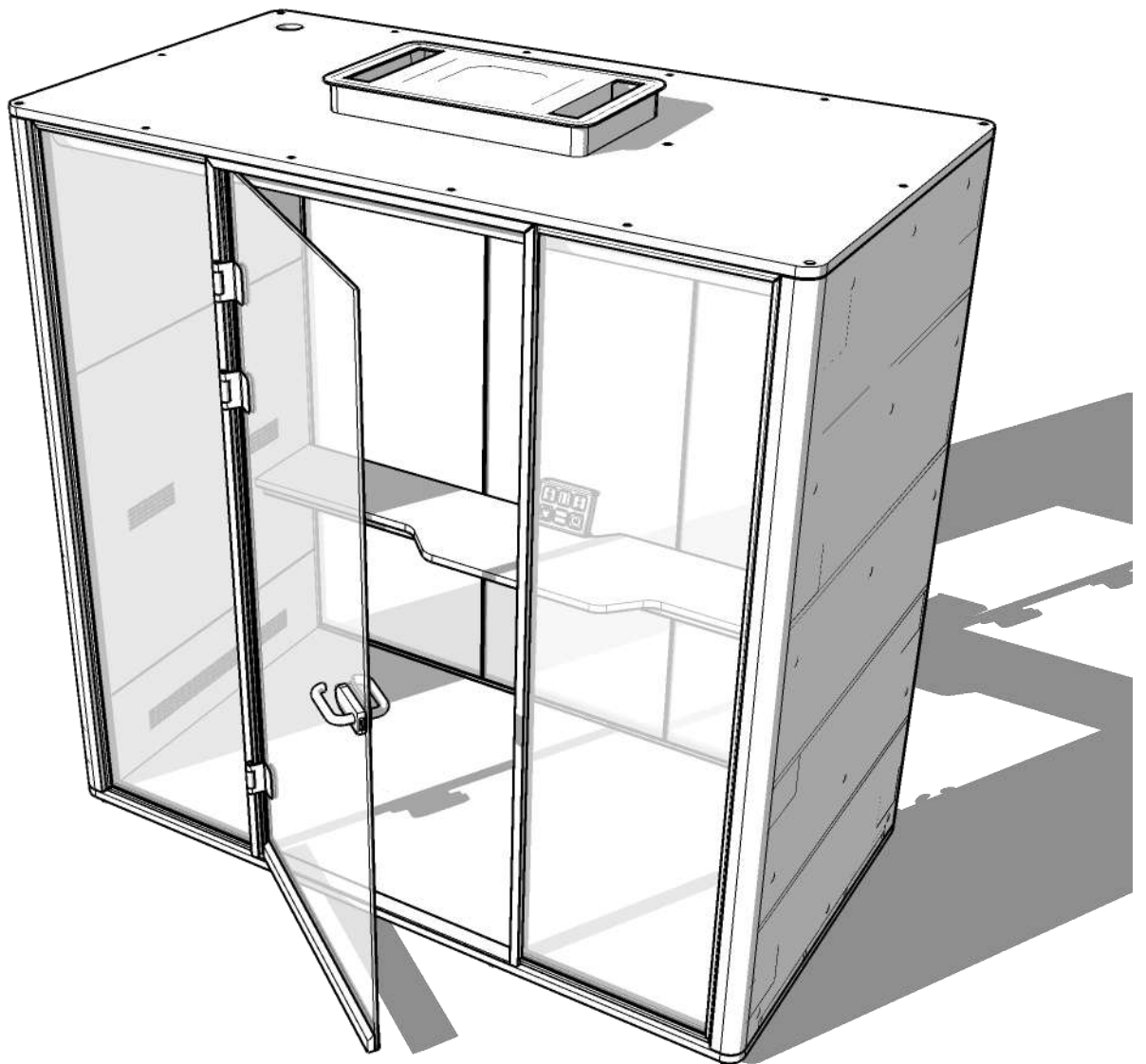


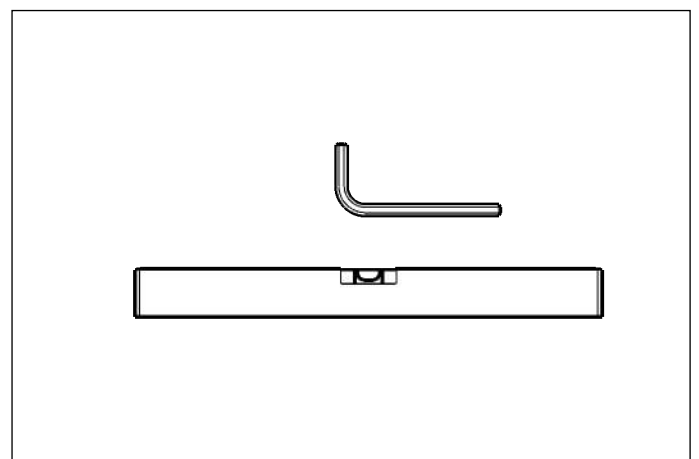
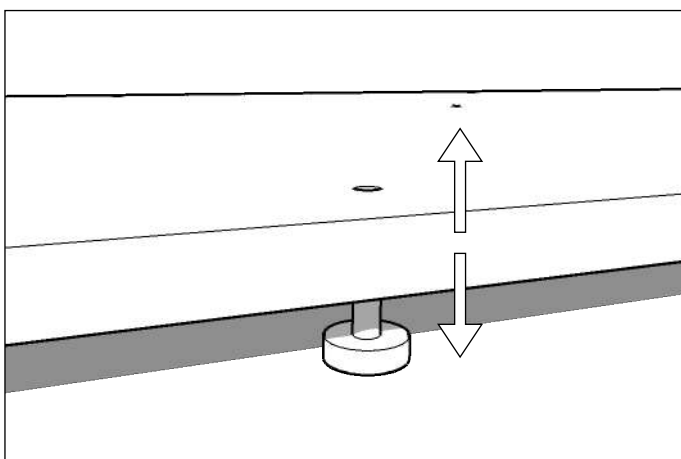
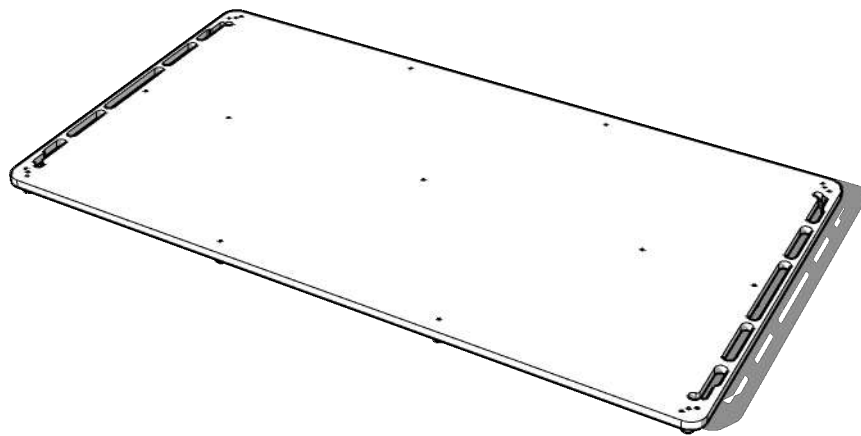
Silence CHAT

This Manual will help you build the perfect solution for a comfortable conversation.



Floor

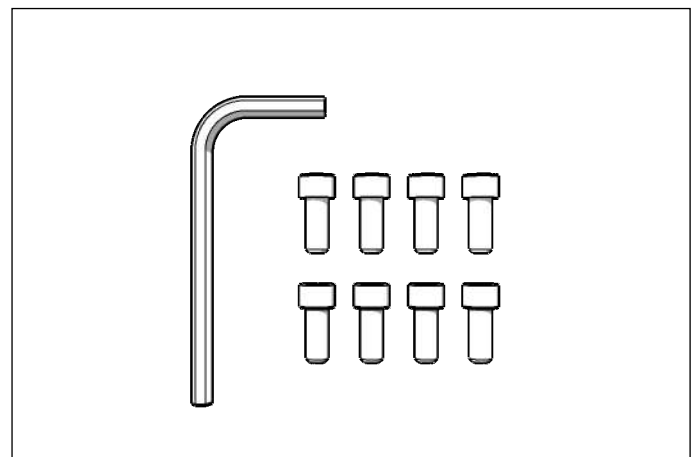
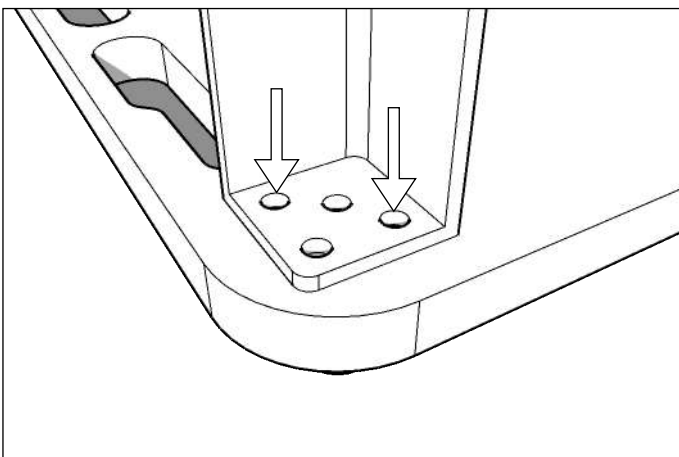
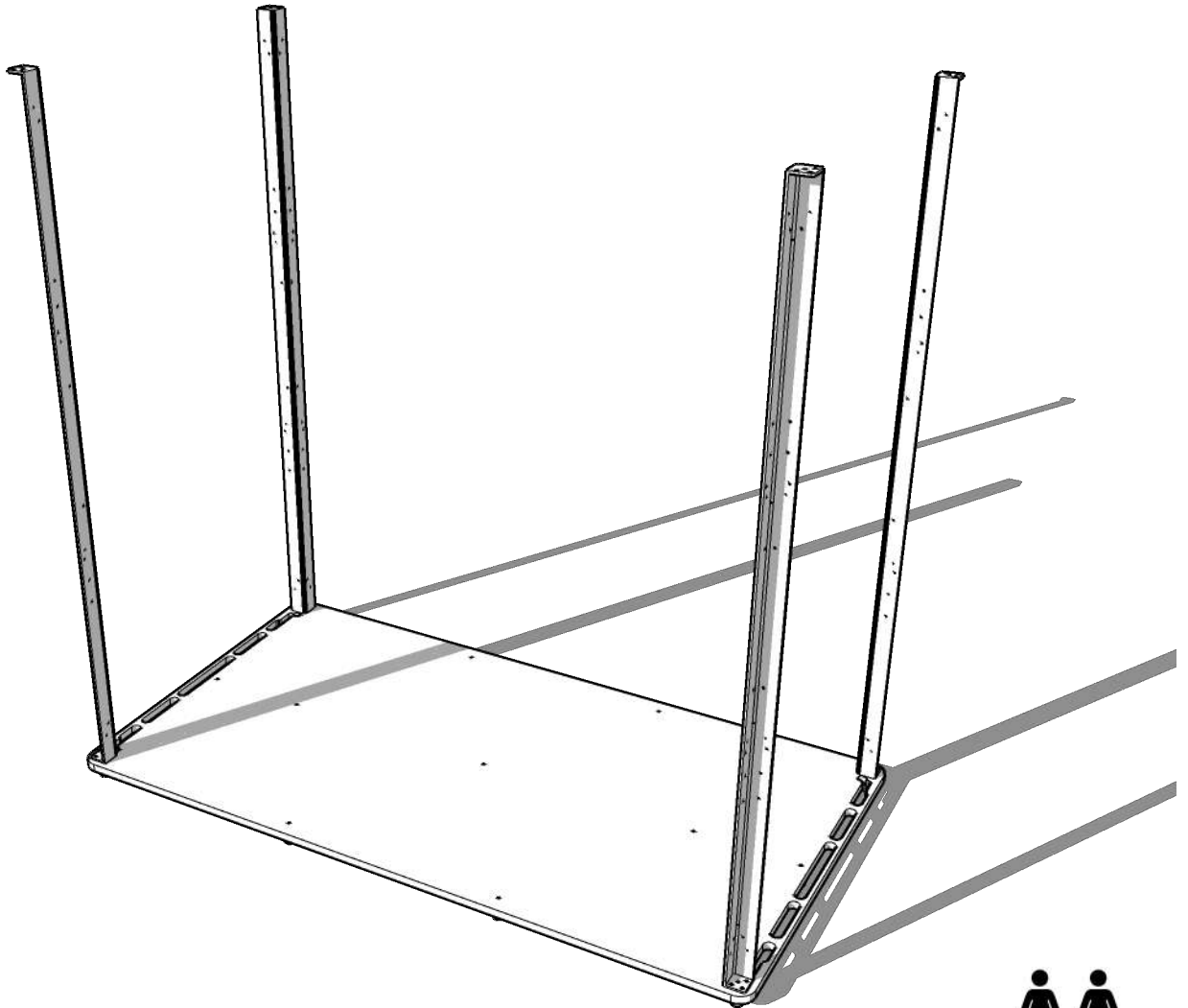
Make sure the floor is perfectly level.



Level / Allen 4

Corner Posts

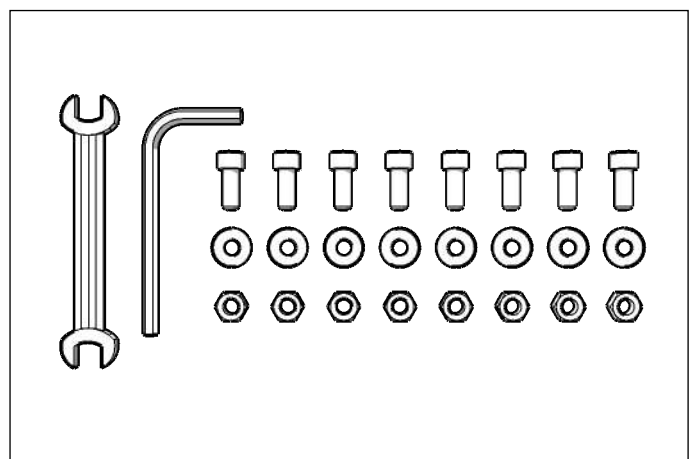
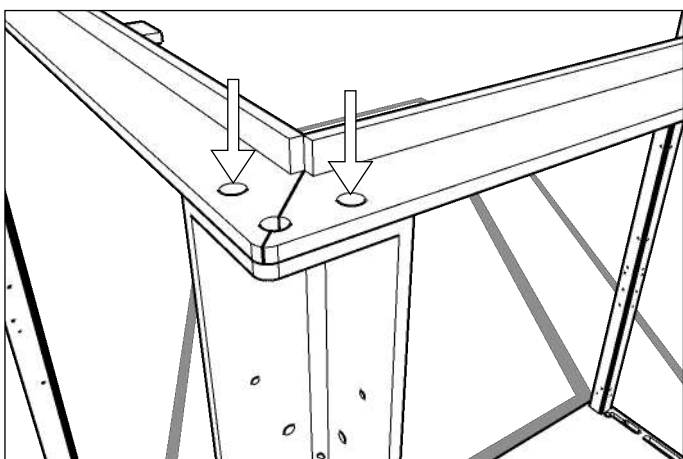
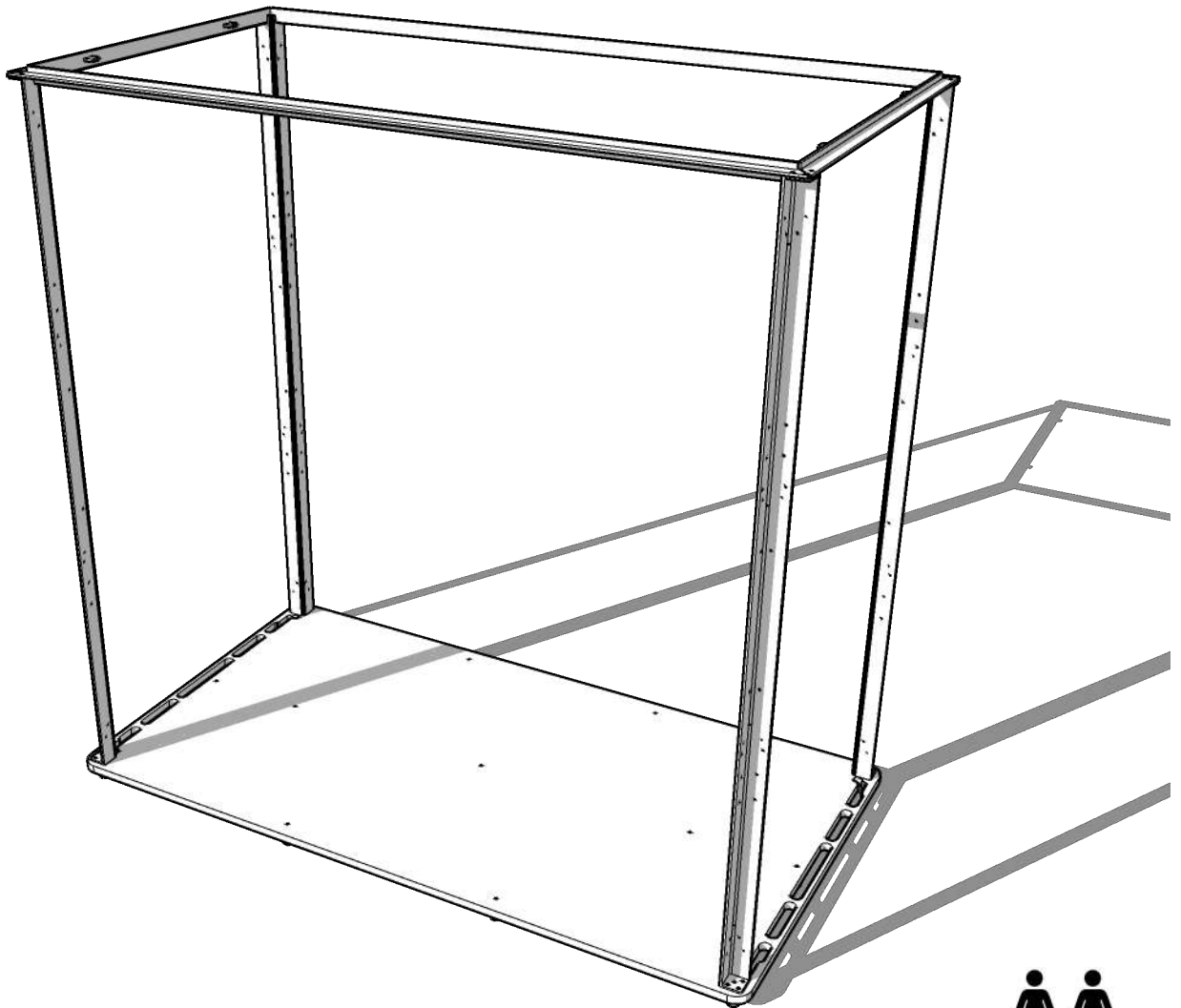
They fit on every corner.
Do not tighten the bolts yet.



M10 x 25 / Allen 8

Top Bars

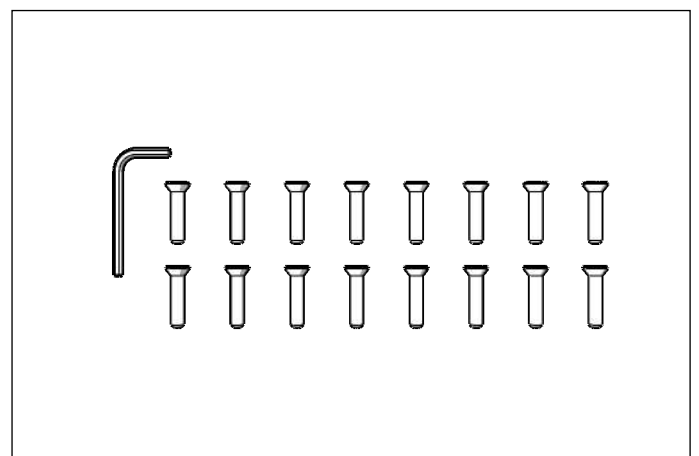
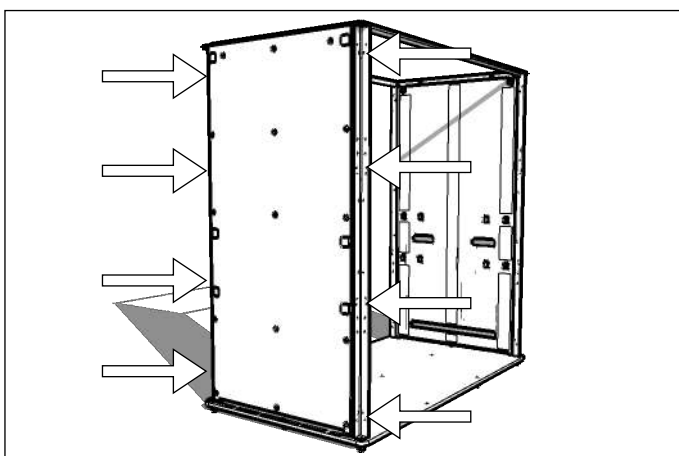
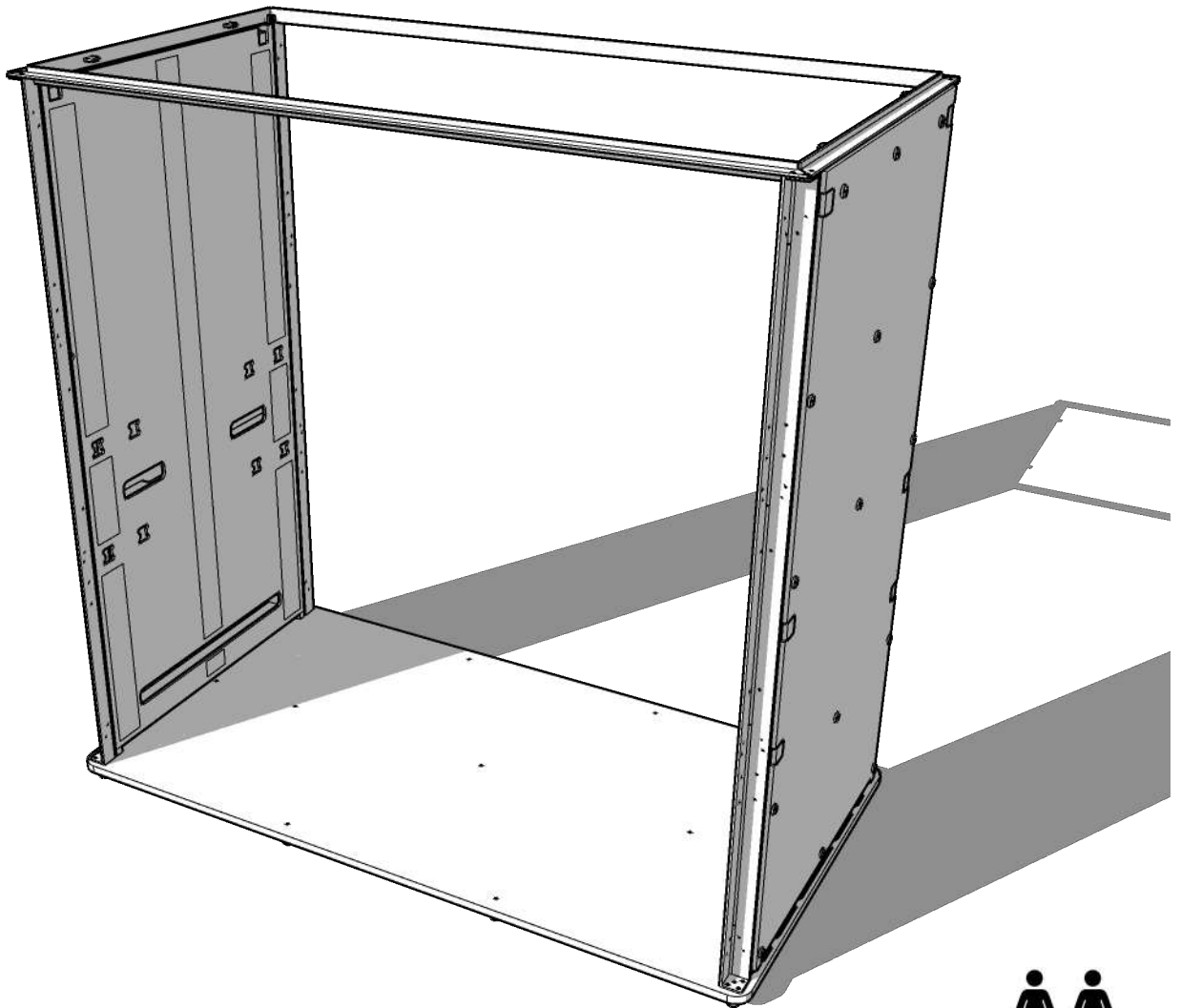
Make sure the bolts are in place before letting go.
Do not tighten the bolts yet.



M10 x 25 / M10 Washer / M10 Nut / Allen 8 /
Wrench 17

Walls

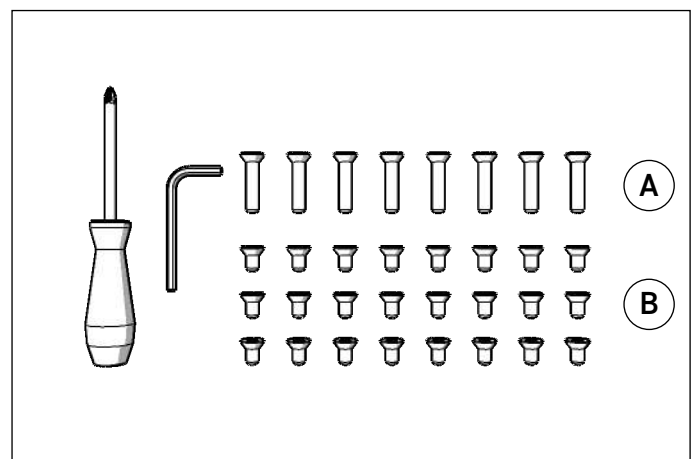
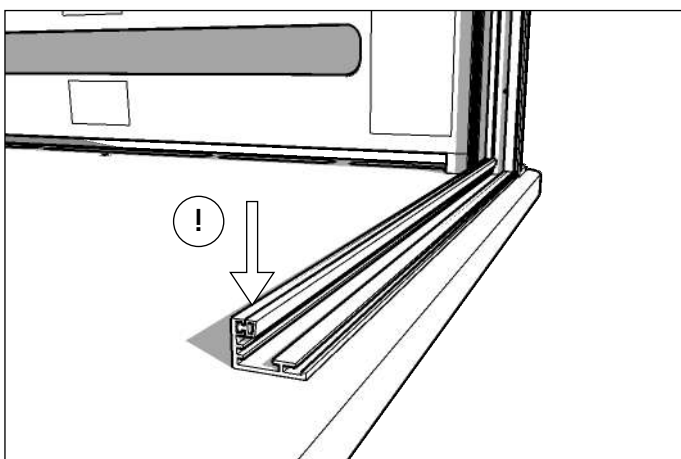
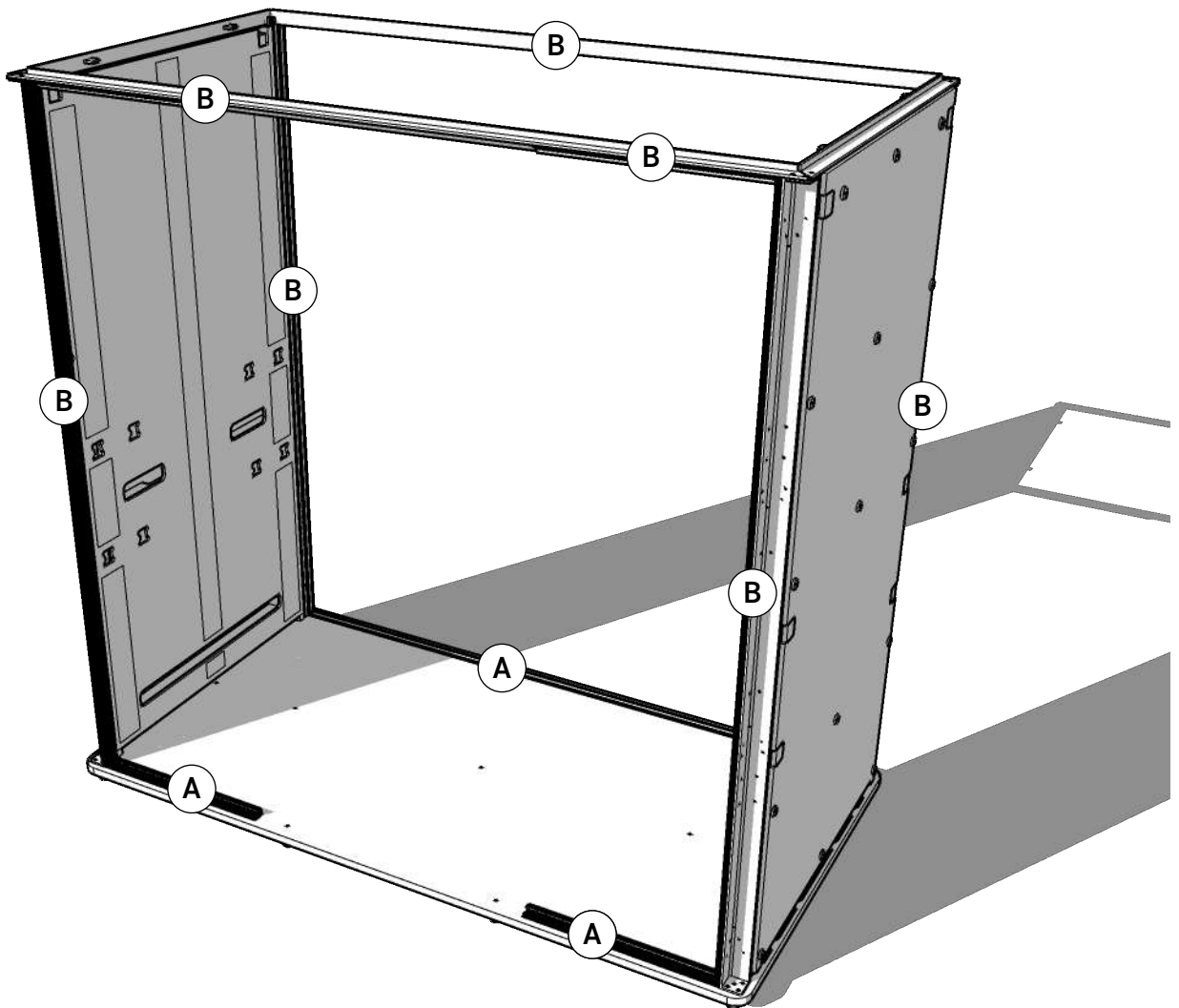
Make sure the bolts are in place before letting go.
Now tighten all bolts on corner posts and top bar members.



M5 x 25 / Allen 3

Glass Profiles

Make sure the flange is on the inside.

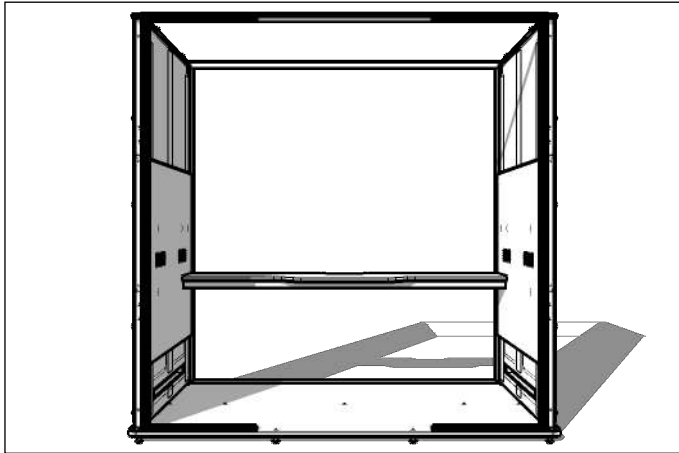


M5 x 25 / Allen 3 / M5 x 10 / Phillips screwdriver

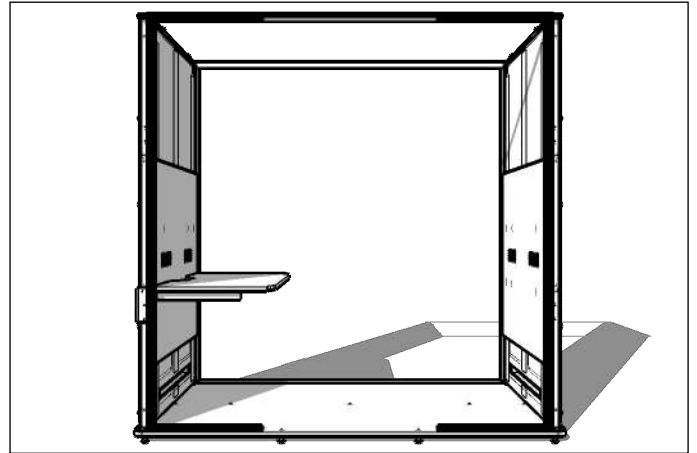
Velt

Velt defines the table.

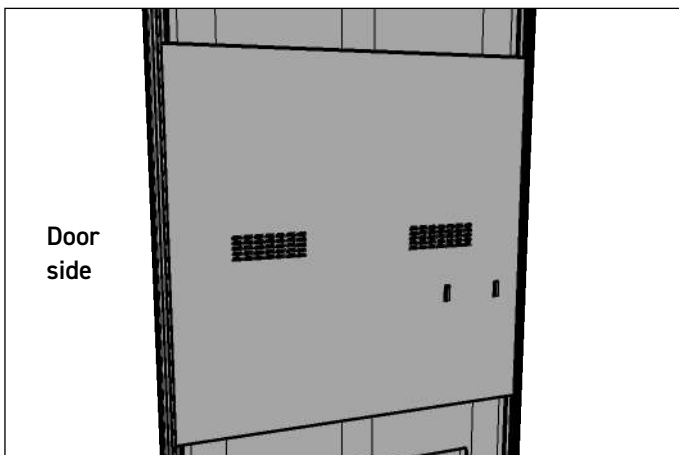
Meeting table



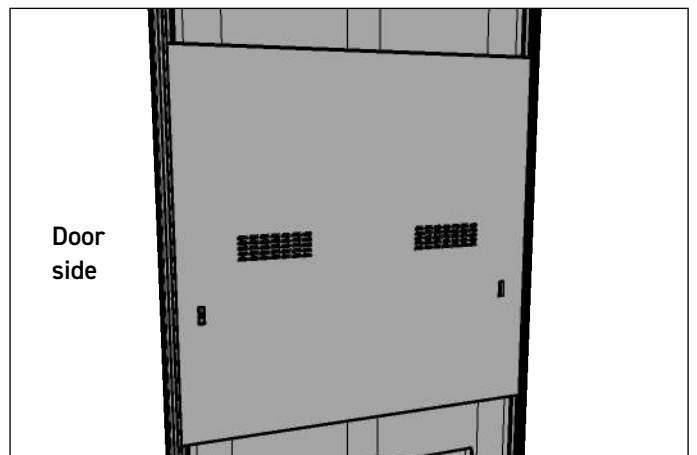
Working table



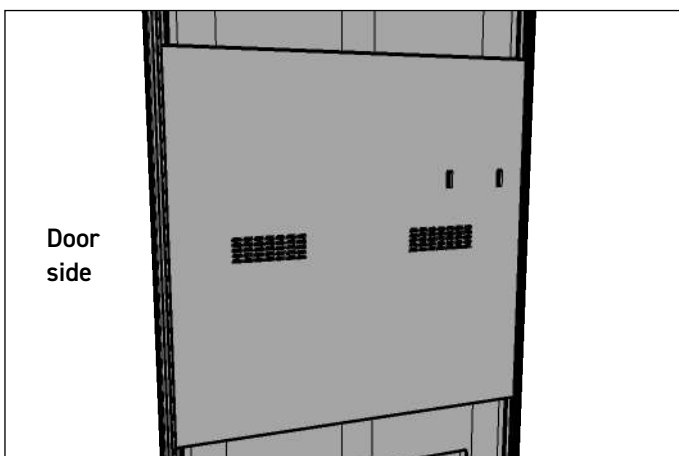
Meeting table low (75 cm)



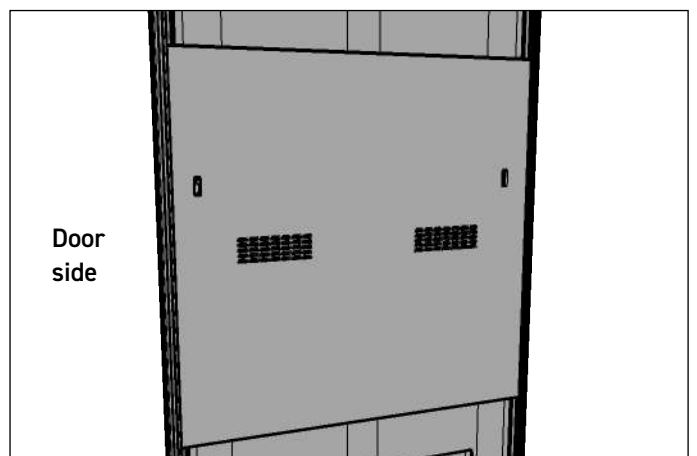
Working table low (75 cm)



Meeting table high (110 cm)

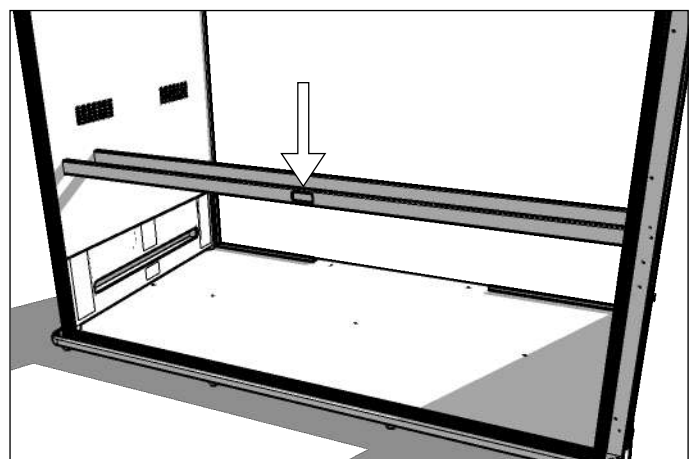
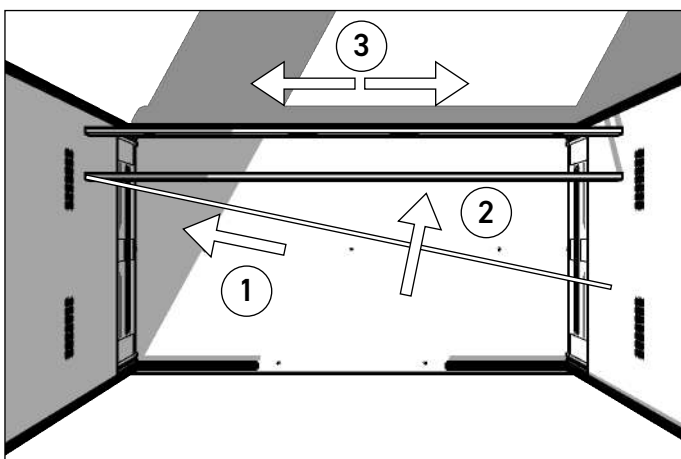
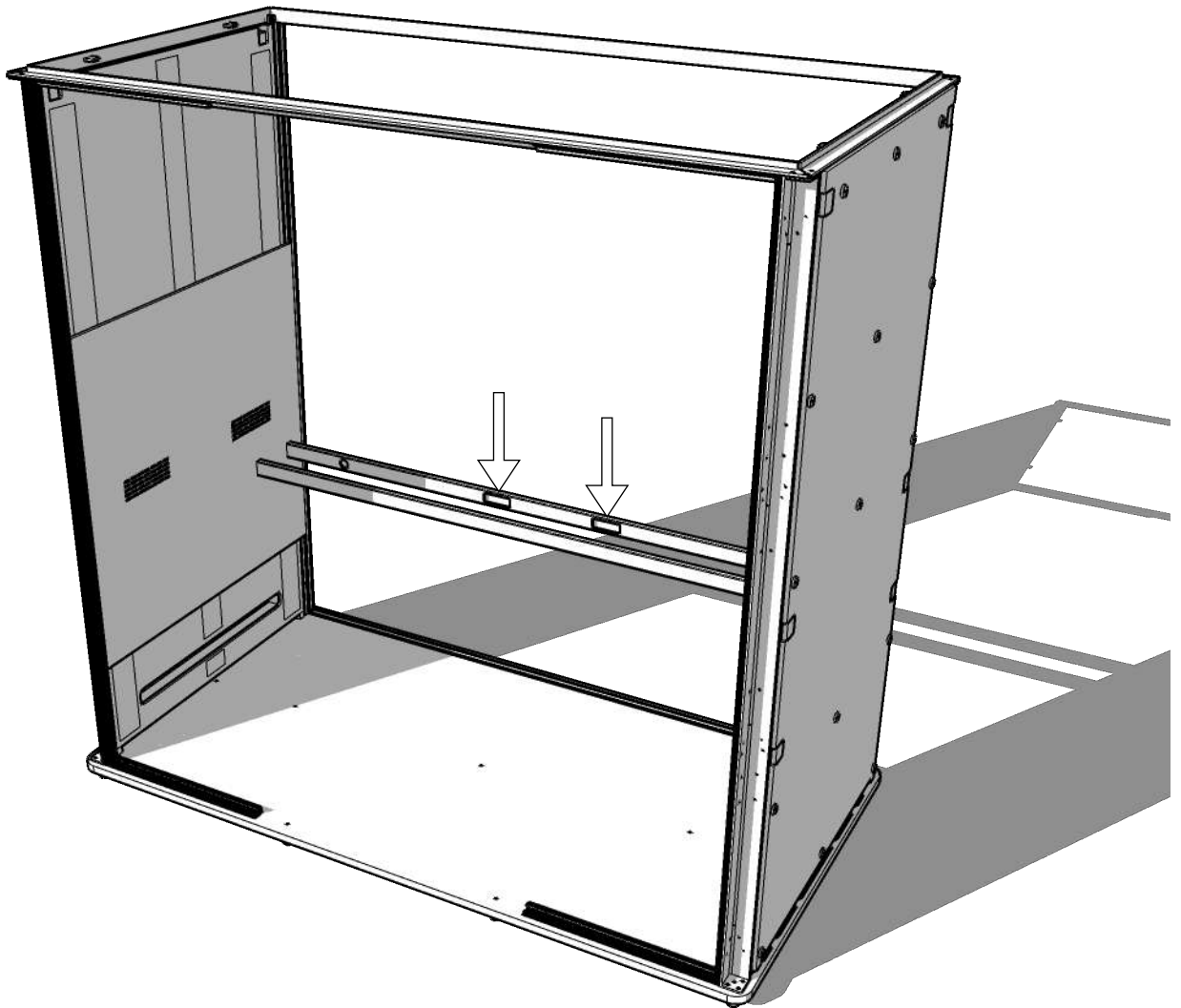


Working table high (110 cm)



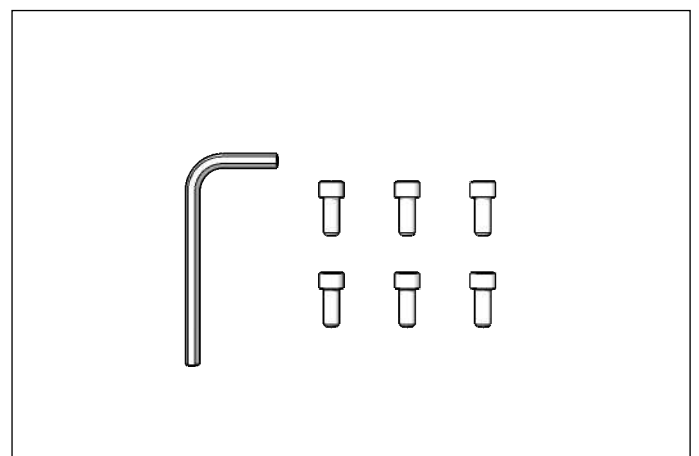
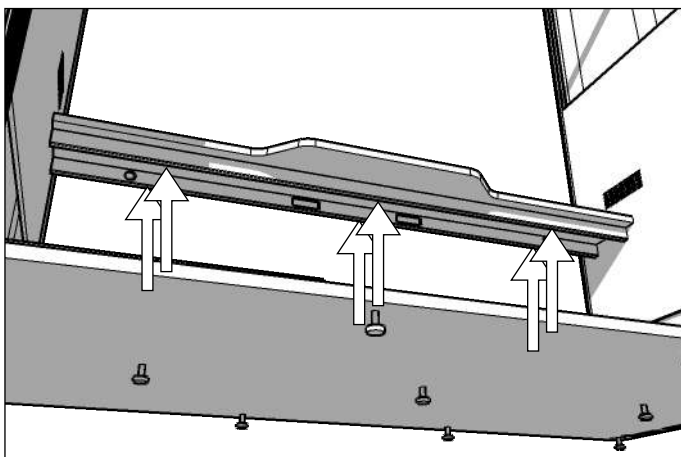
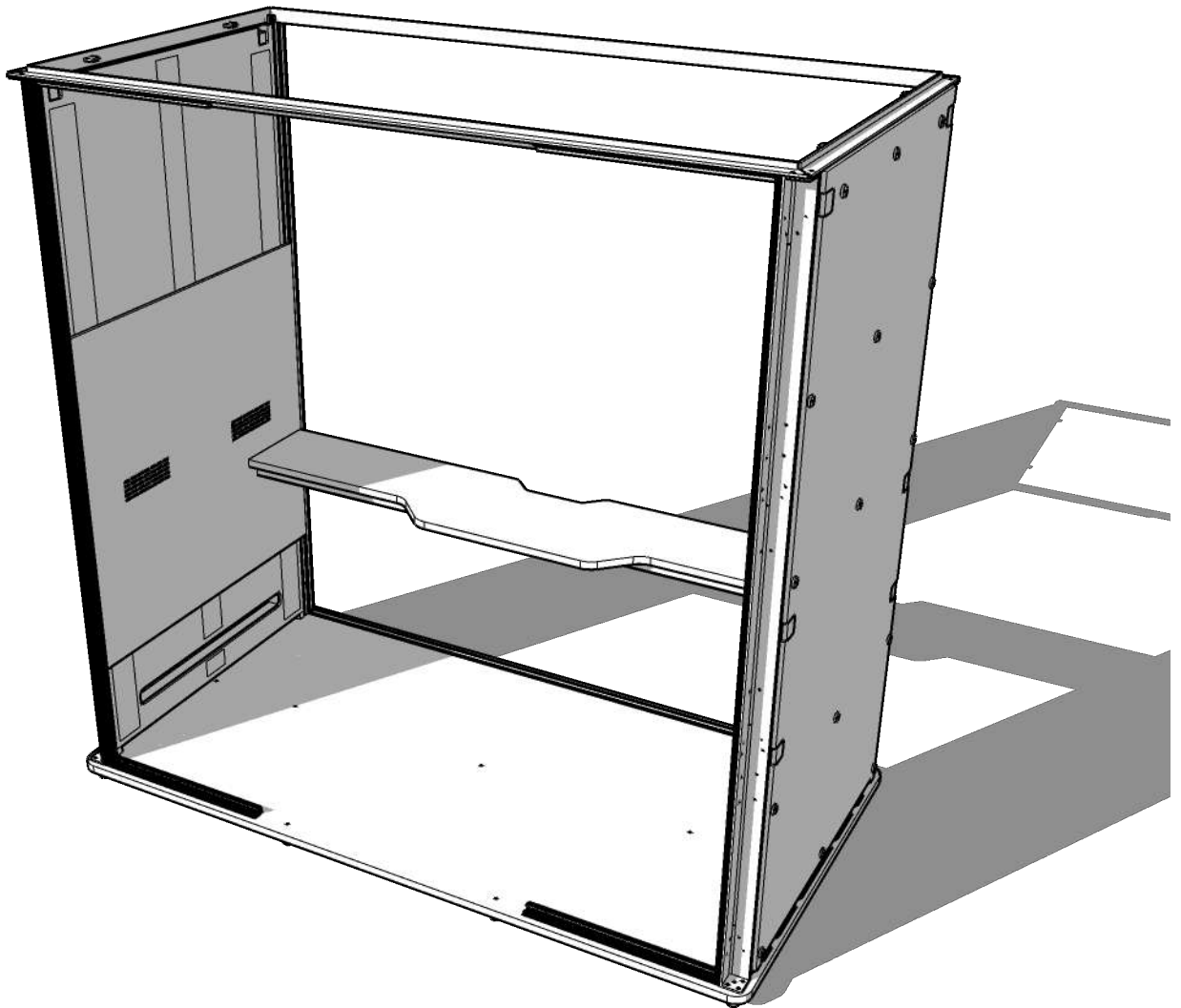
Frame Meeting Table

Make sure open profile is positioned towards the glass.



Meeting Table

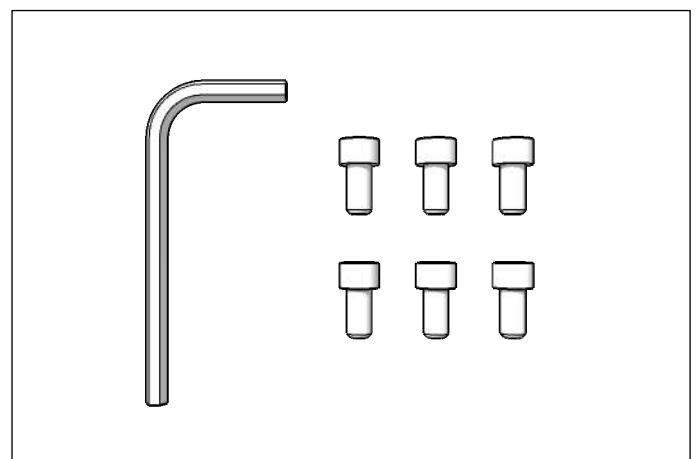
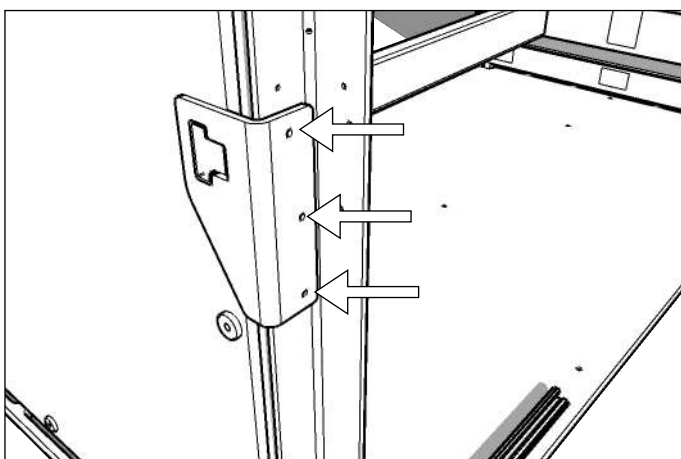
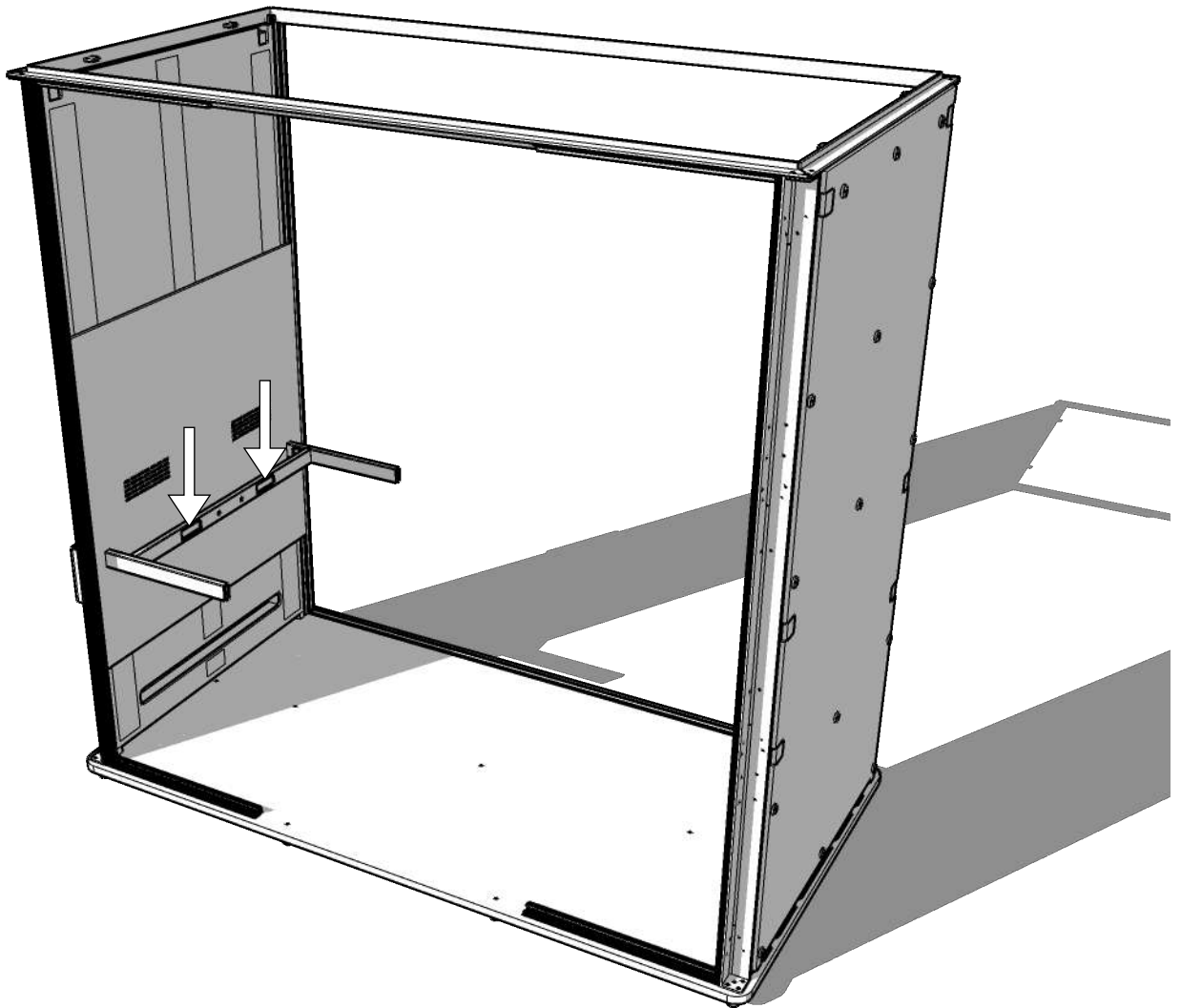
Make sure to place bolts before moving on.



M5 x 12 / Allen 4

Frame Working Table

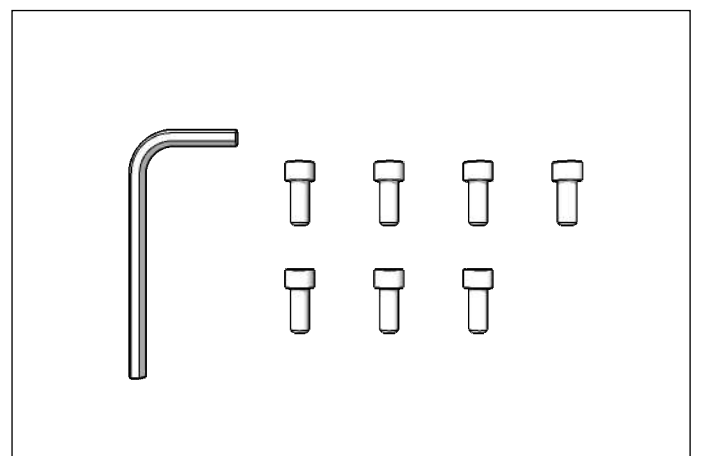
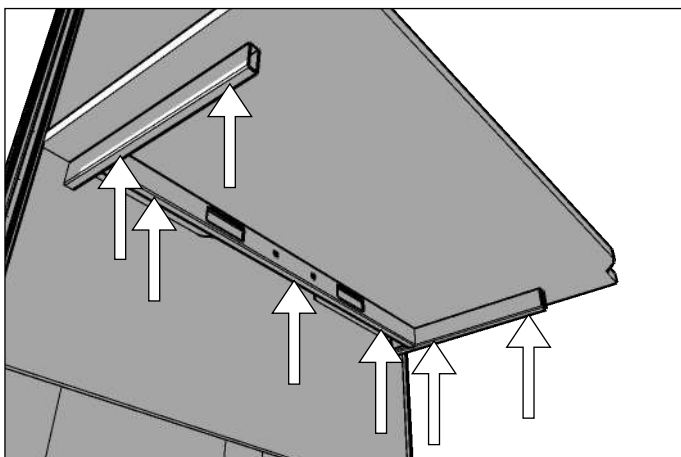
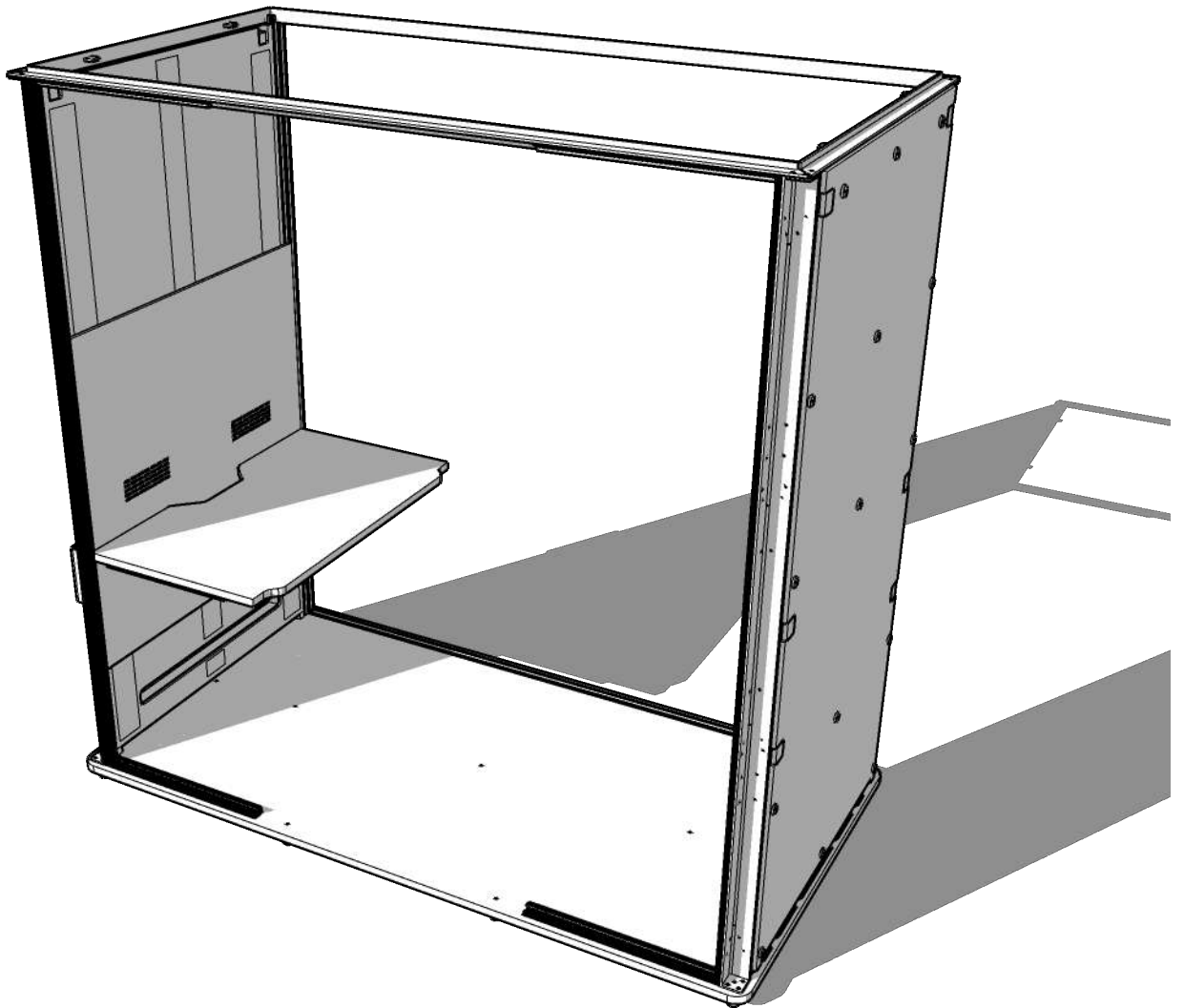
Place the frames from the outside of the wall and push them inwards.



M8 x 16 / Allen 6

Working Table

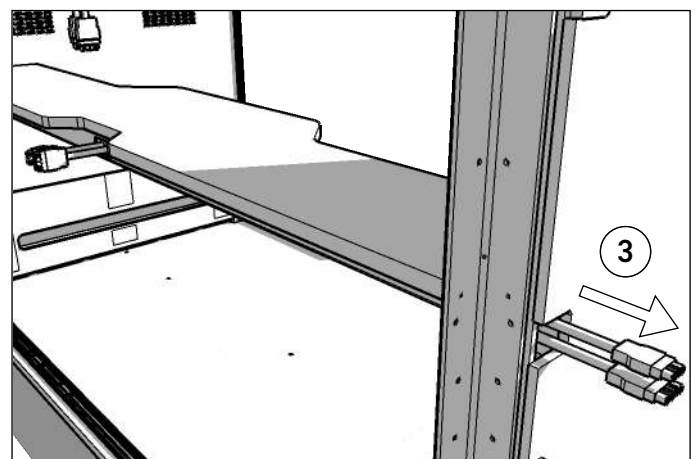
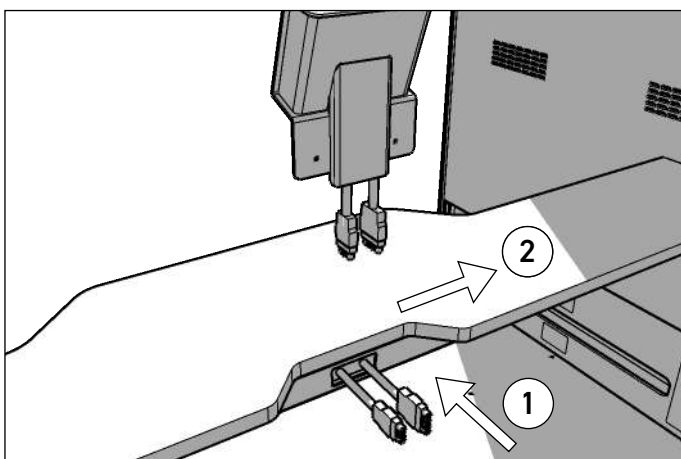
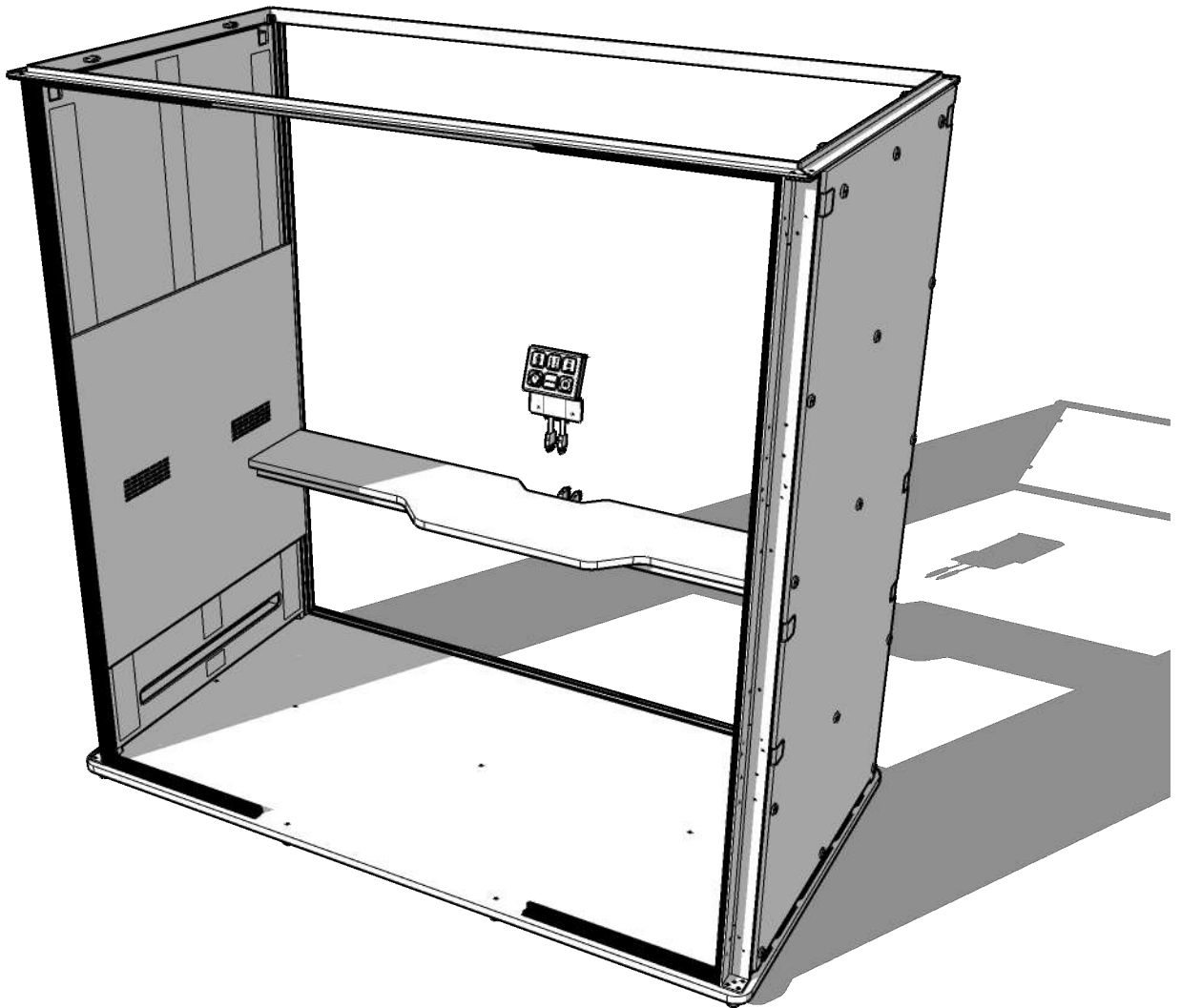
Make sure to place bolts before moving on.



M5 x 12 / Allen 4

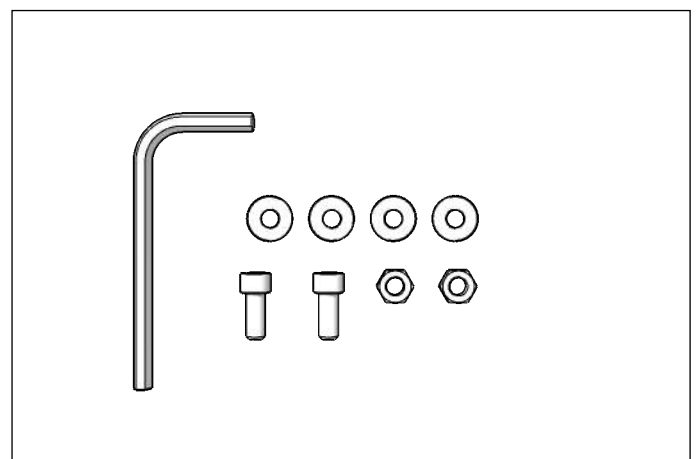
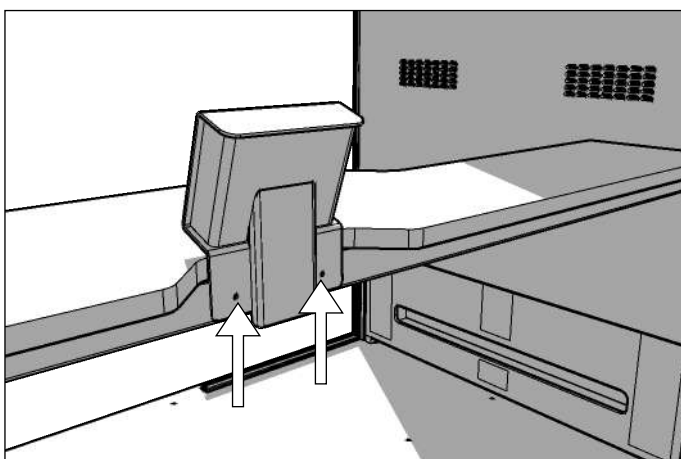
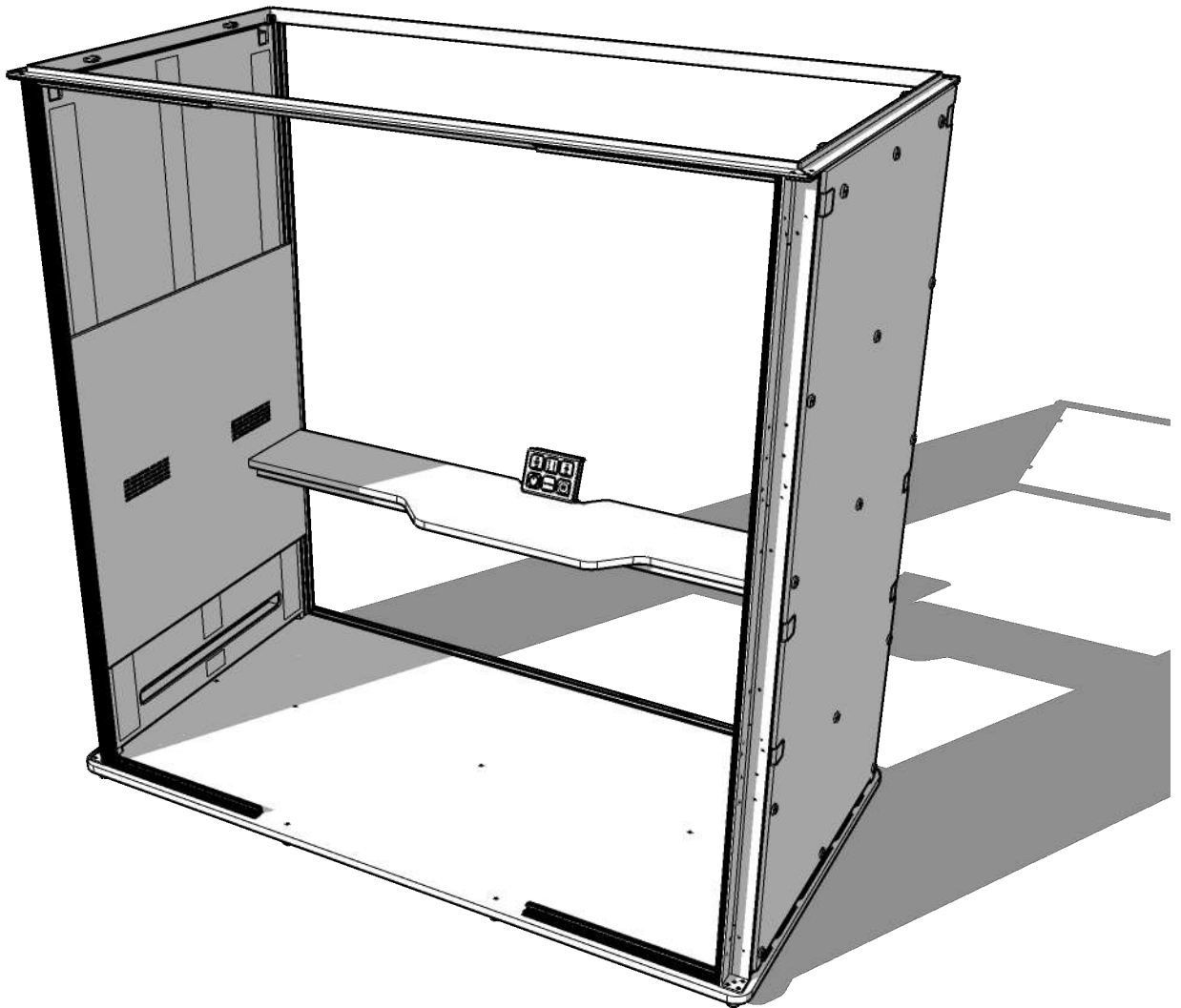
Place Cables

Place and connect cables from Control Unit and pull them through Frametube and out the wall.



Control Unit

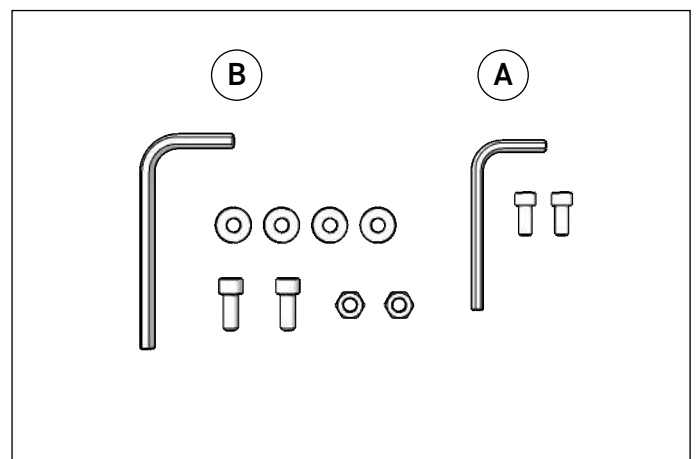
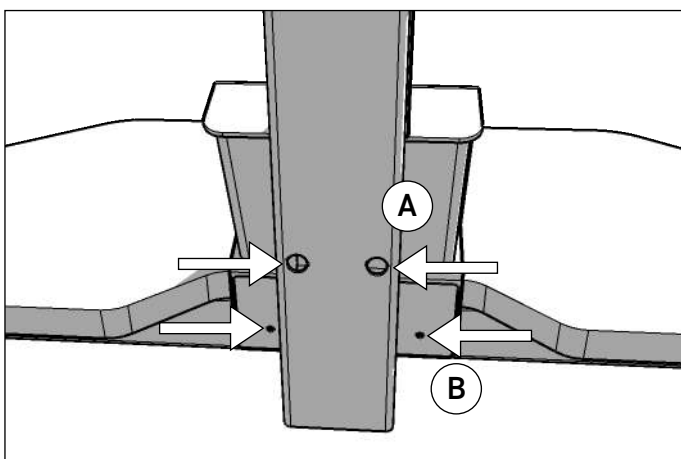
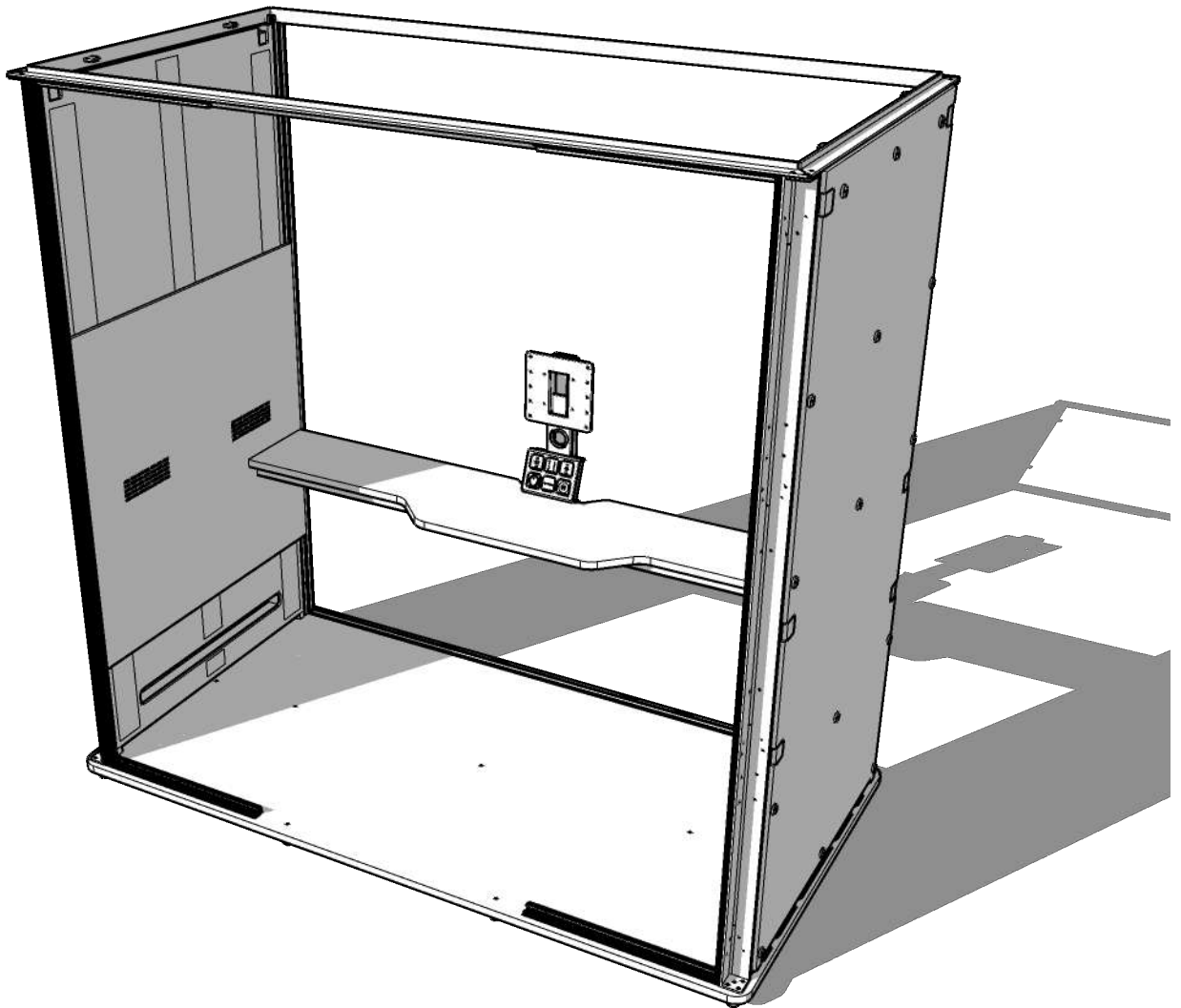
Be careful not to damage wires.



M6 x 16 / Allen 5 / M6 Washer / M6 Nut

Monitor Support (Optional)

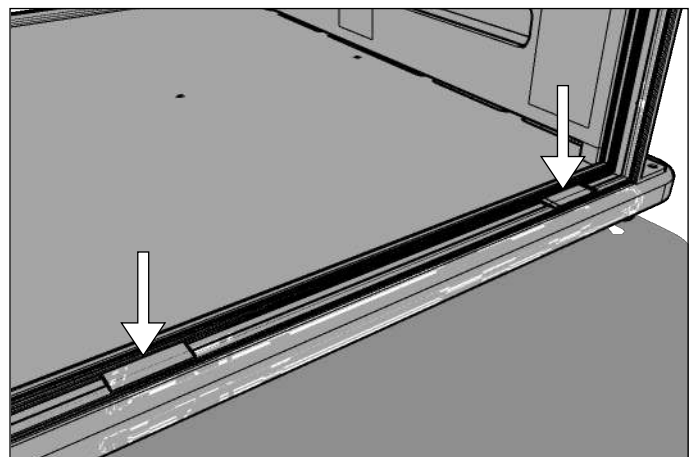
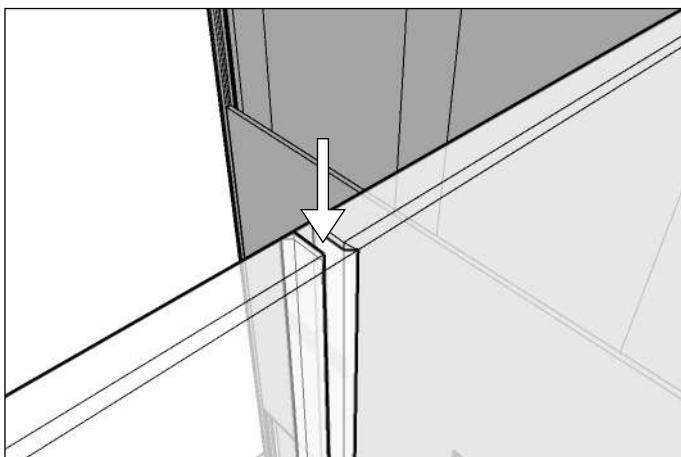
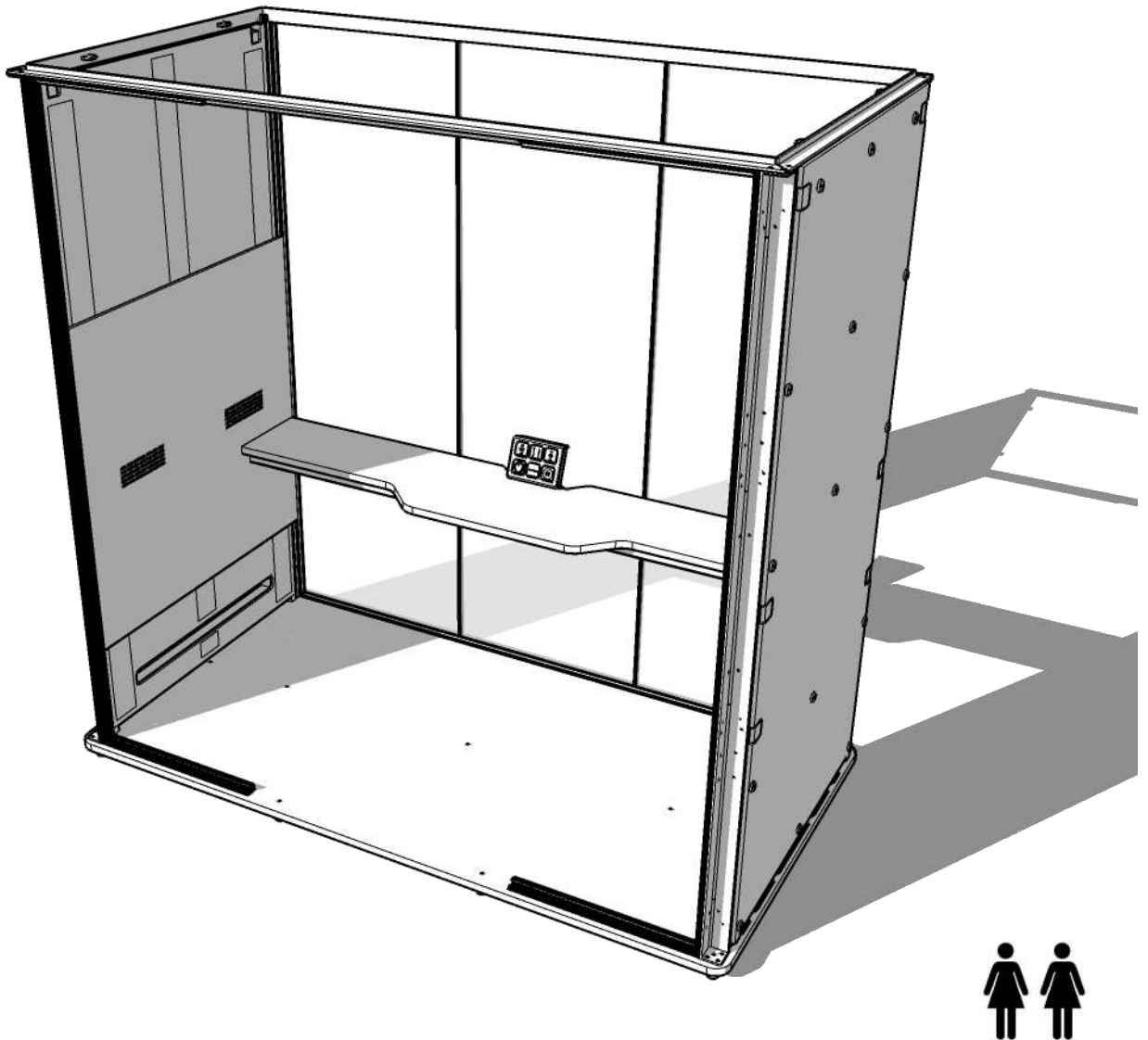
Be careful not to damage wires.



M6 x 20 / Allen 5 / M6 Washer / M6 Nut
M5 x 12 / Allen 4

Glass Panels

Make sure not to leave the glass unattended for, until all profiles and rubbers are installed.

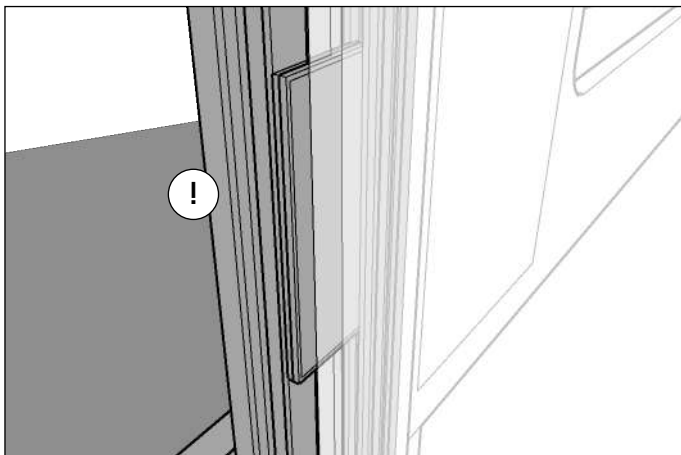
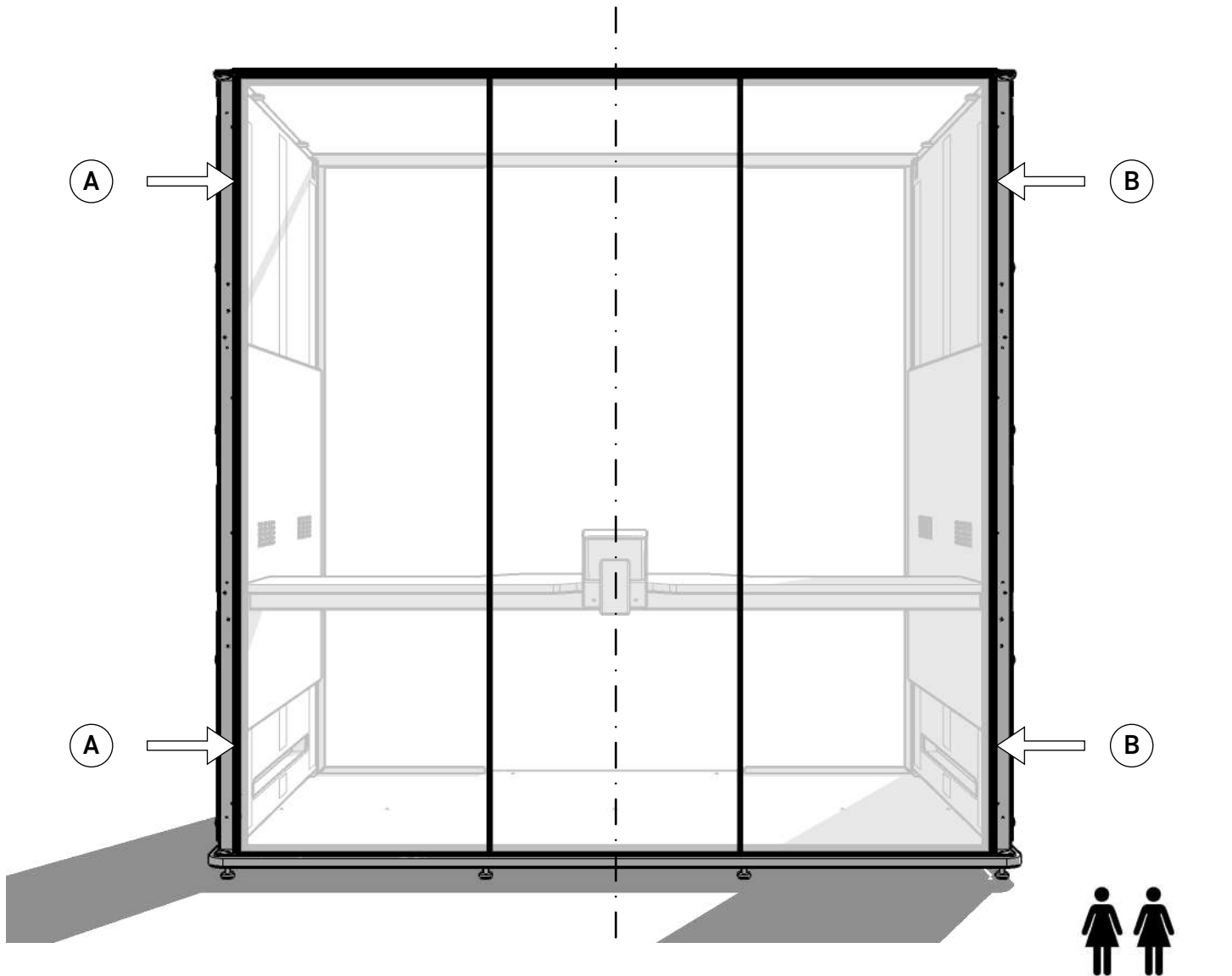


Plastic Glass Strip / Plastic Fillers (bottom)

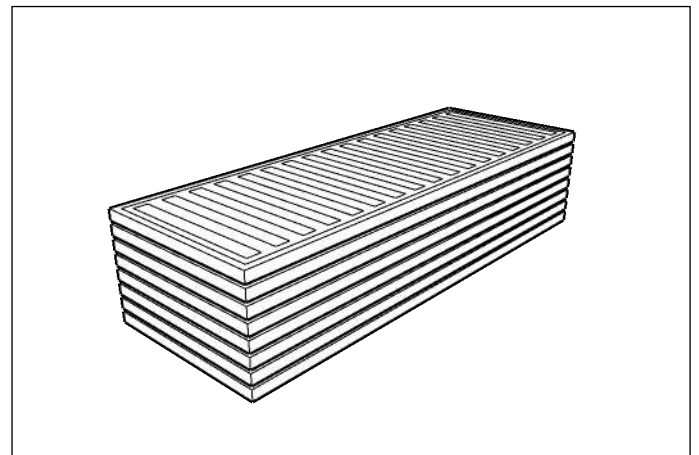
Glass Panels

Make sure not to leave the glass unattended for, until all profiles and rubbers are installed.

ⓘ A = A
B = B



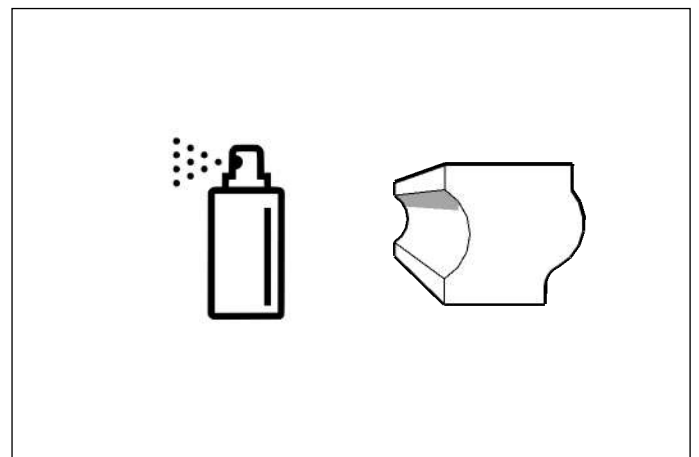
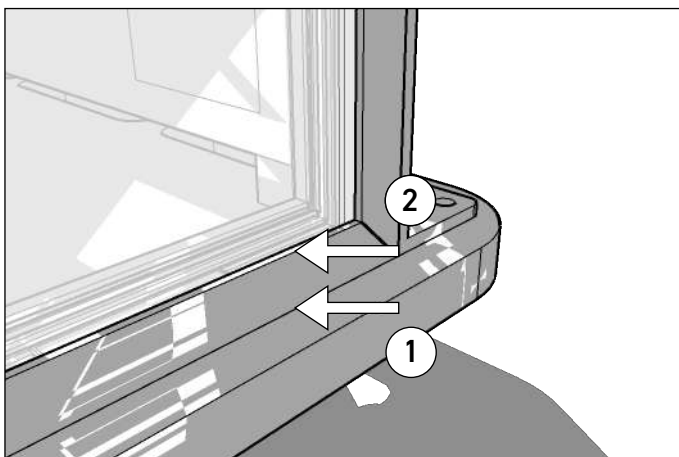
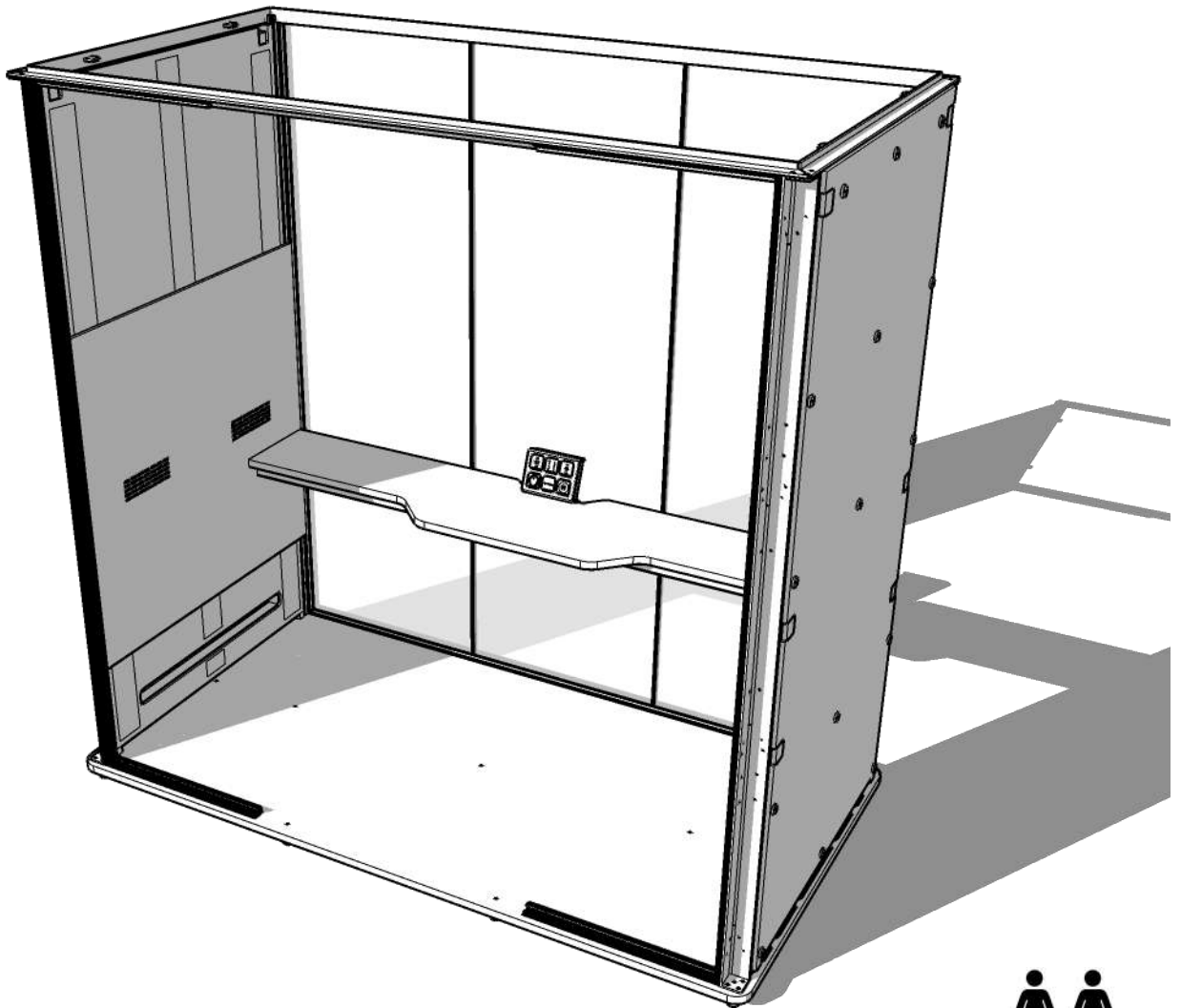
Use **EQUAL** amount of fillers on each side and place enough to make them **FIXED**



Plastic Fillers (sides)

Glass Profiles

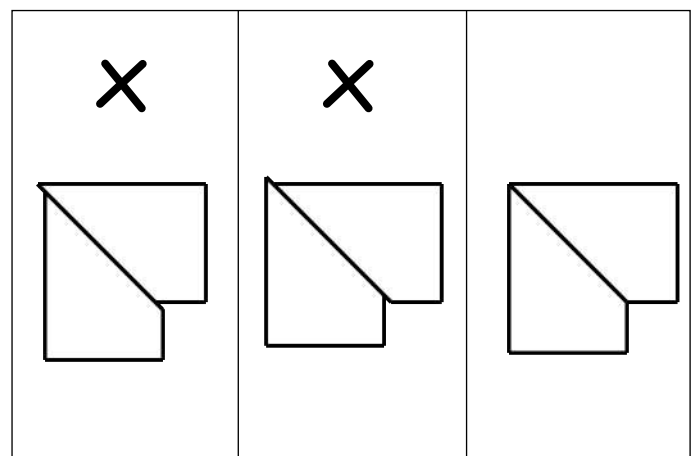
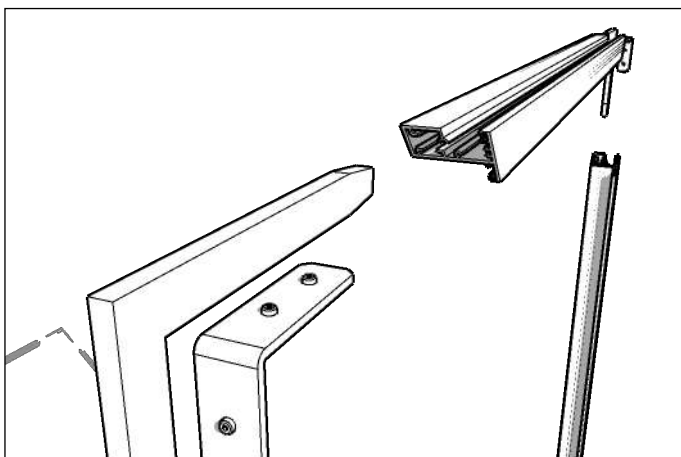
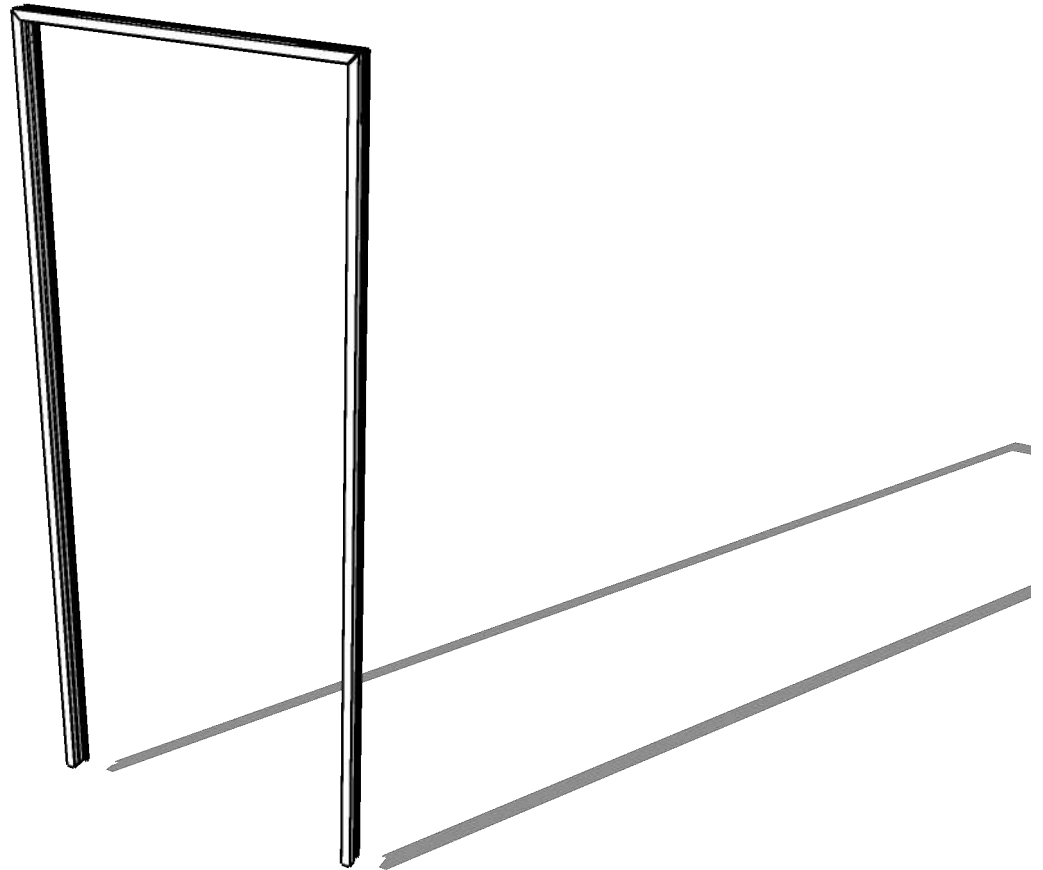
Make sure not to leave the glass unattended for, until all profiles and rubbers are installed.



Thick Rubber Profile / Glass Cleaner

Door Assembly

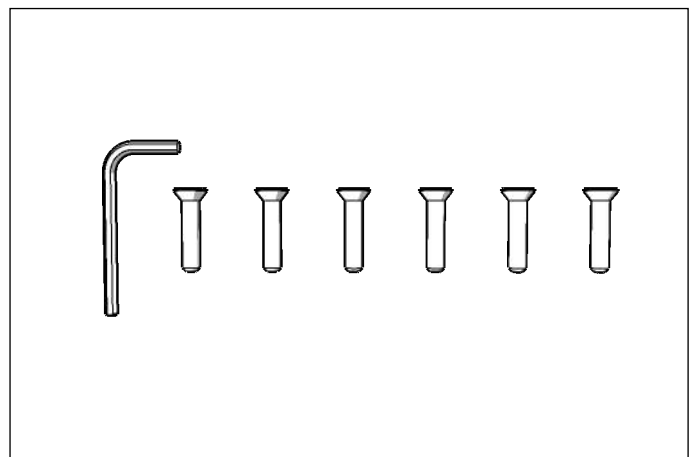
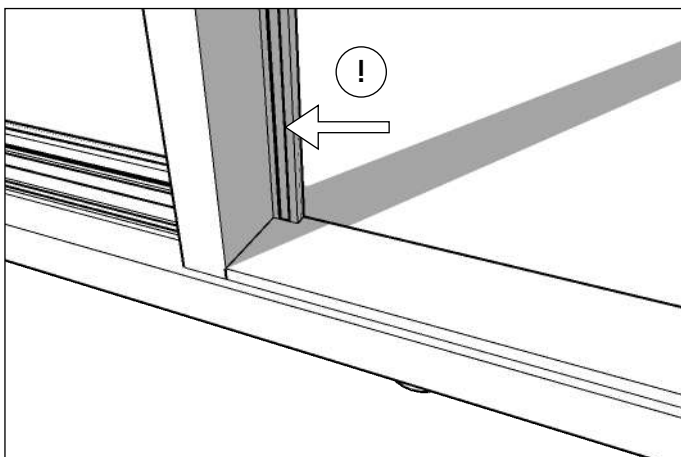
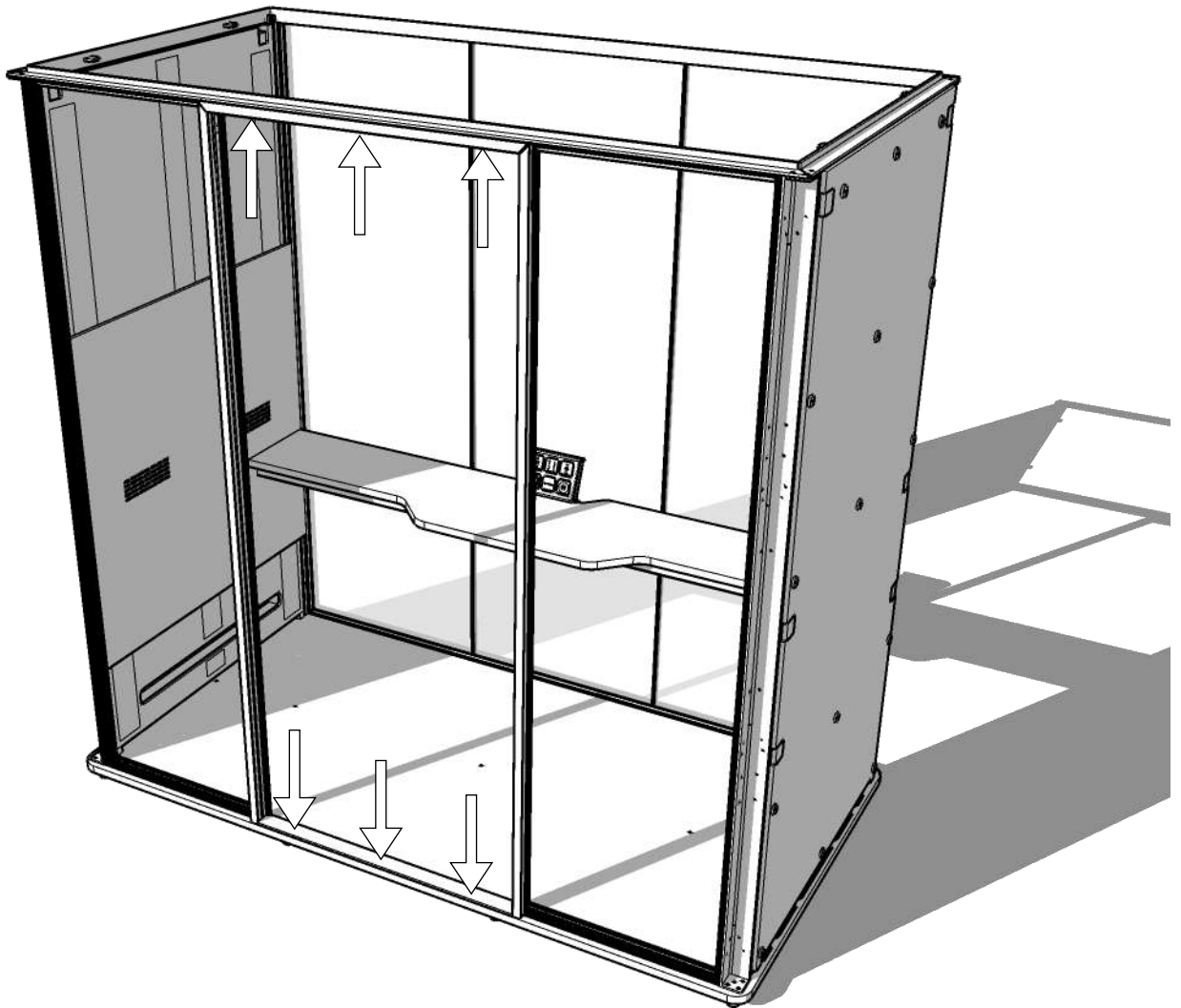
Make sure too make a perfect corner.



Allen 2.5 / Small Bracket / Large Bracket

Place Door Frame

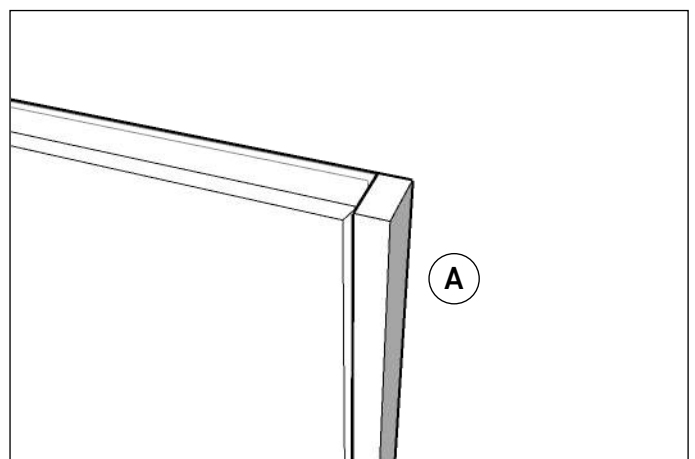
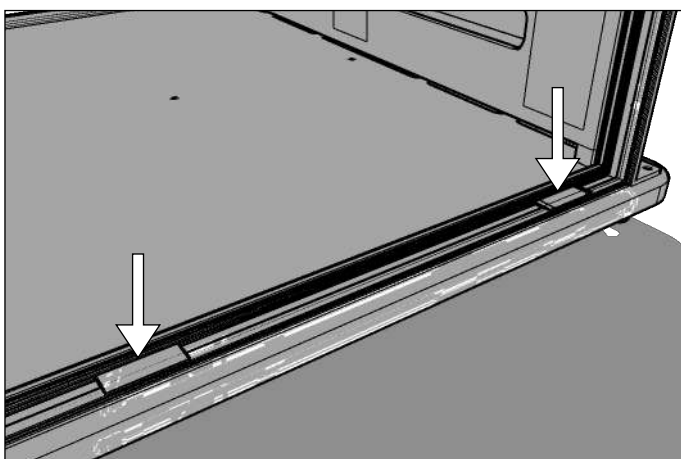
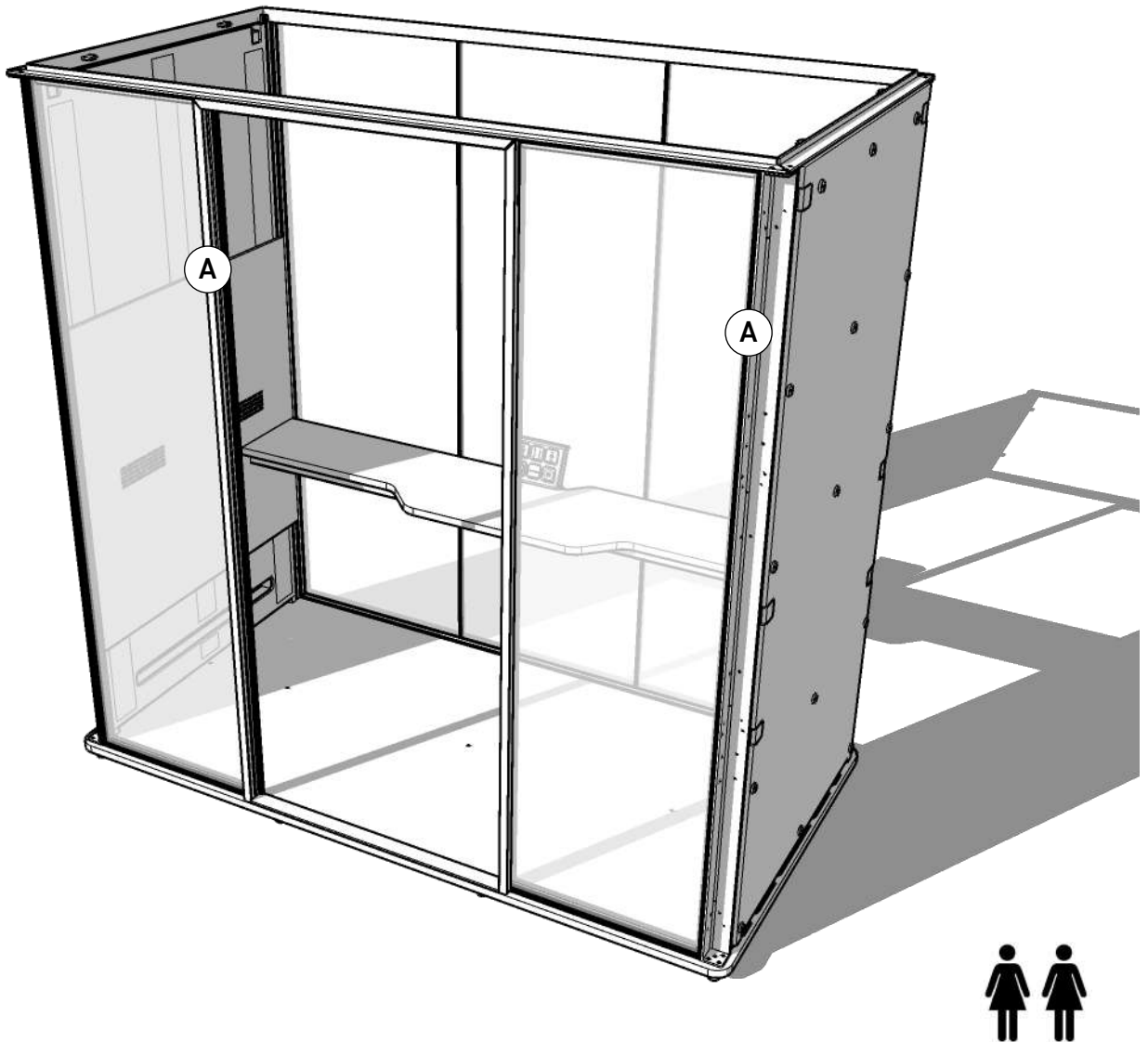
Place carefully and make sure corners of the door are perfectly assembled.
Make sure flange is on the inside.



M5 x 25 / Allen 3

Glass Panels

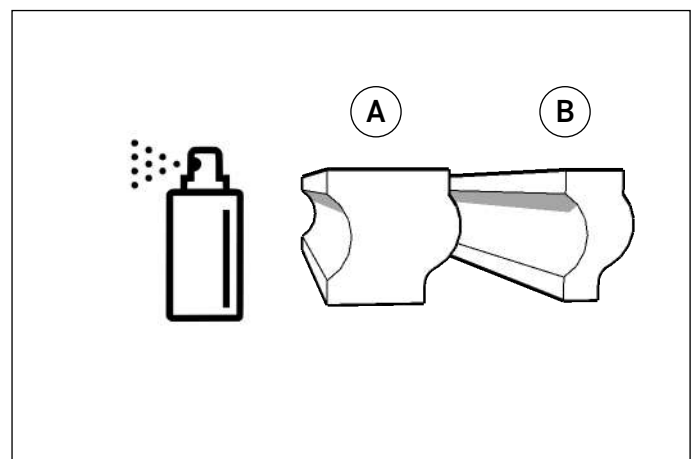
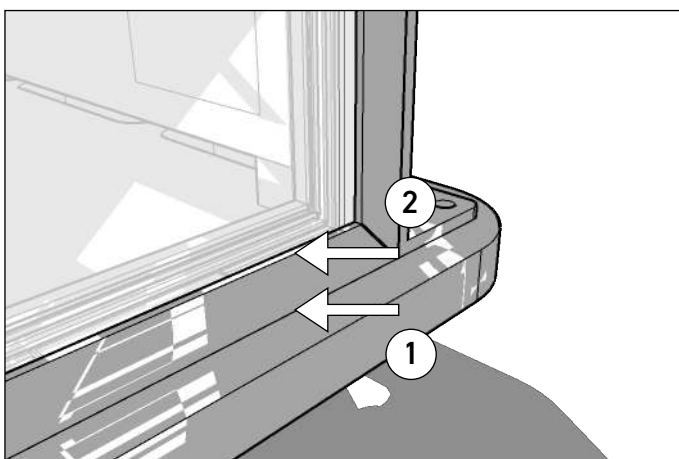
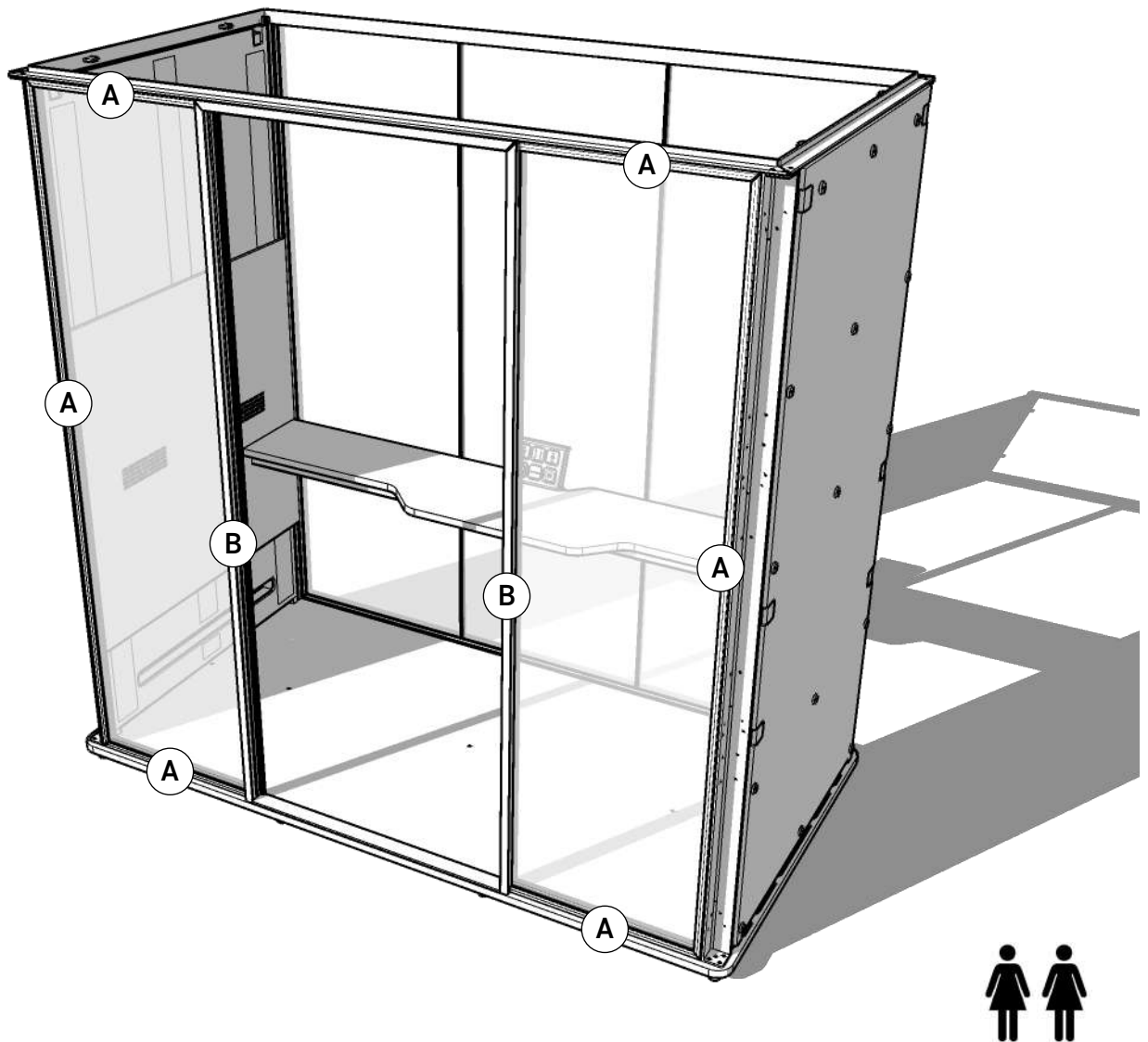
Make sure not to leave the glass unattended for, until all profiles and rubbers are installed.



Rubber Tape / Plastic Fillers (bottom)

Glass Profiles

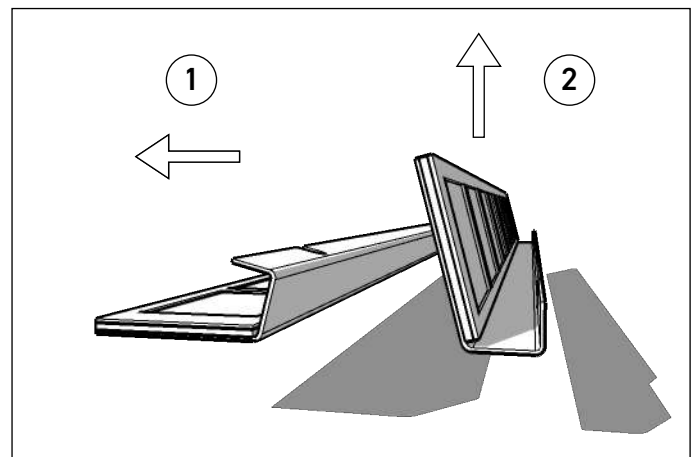
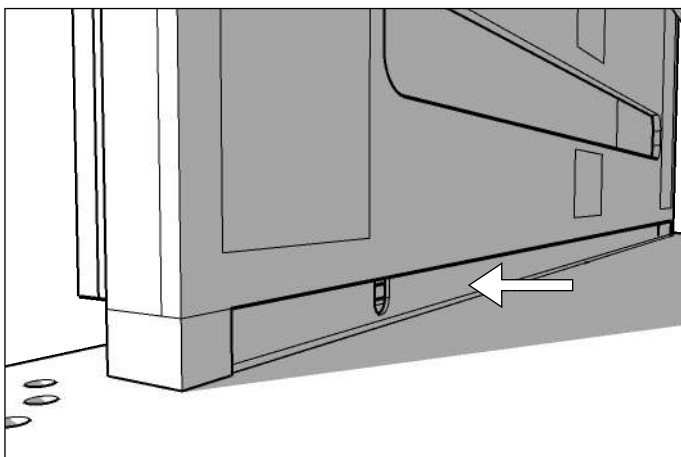
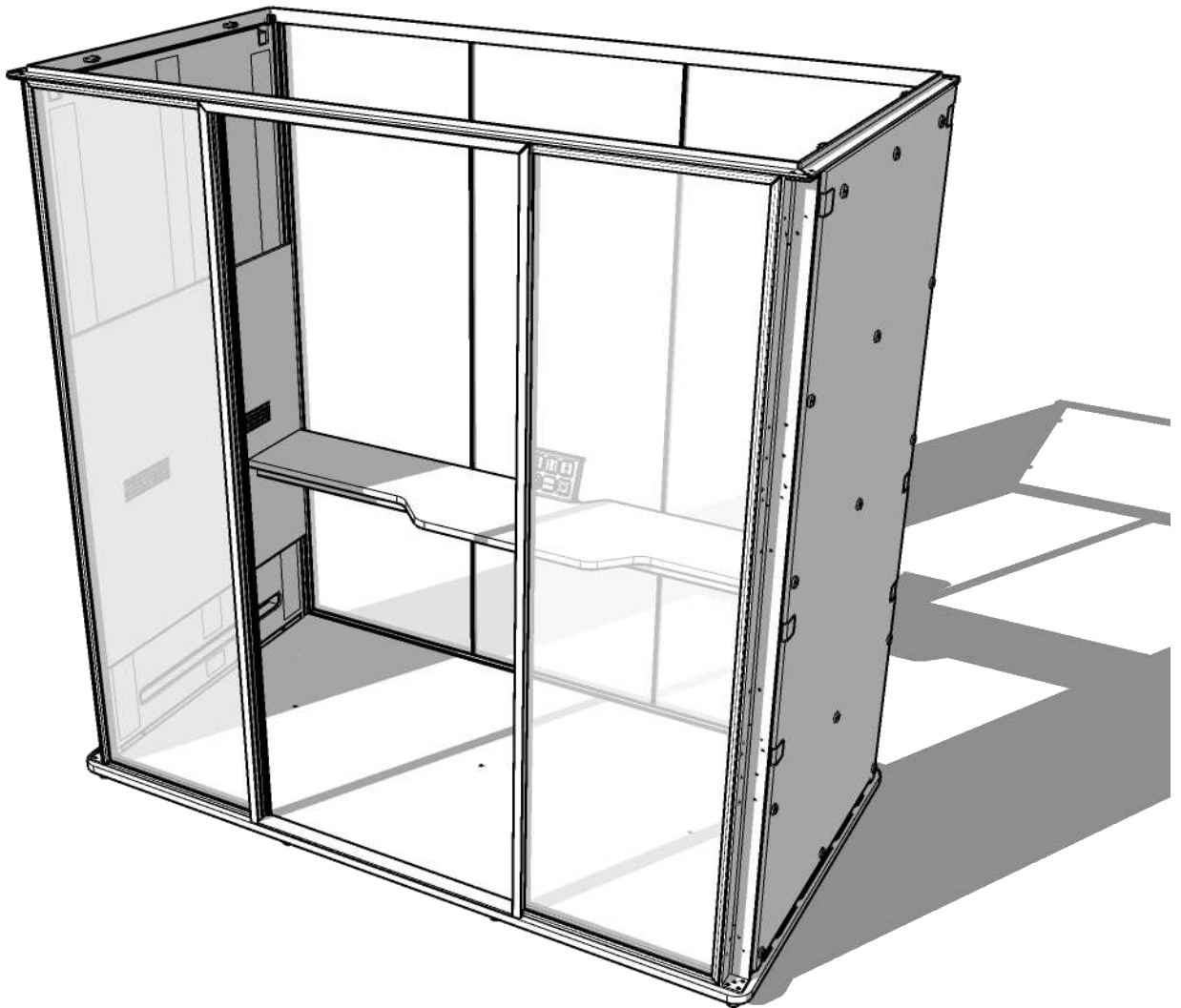
Make sure not to leave the glass unattended for, until all profiles and rubbers are installed...



Thick & Thin Rubber Profile / Glass Cleaner

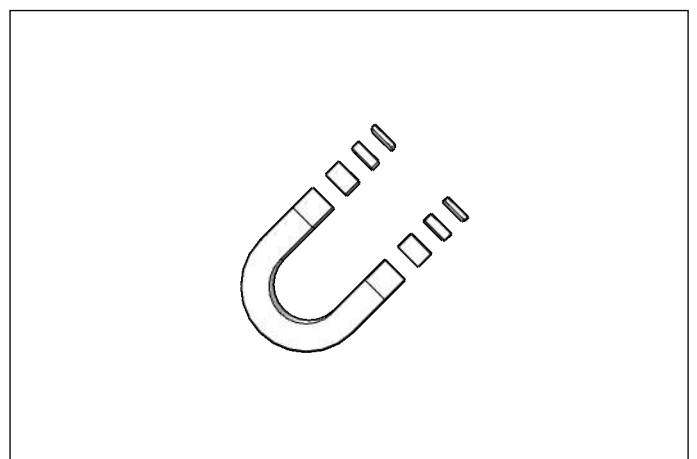
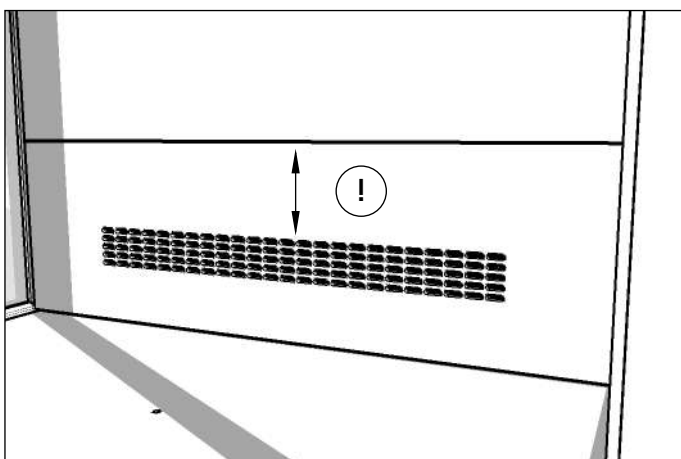
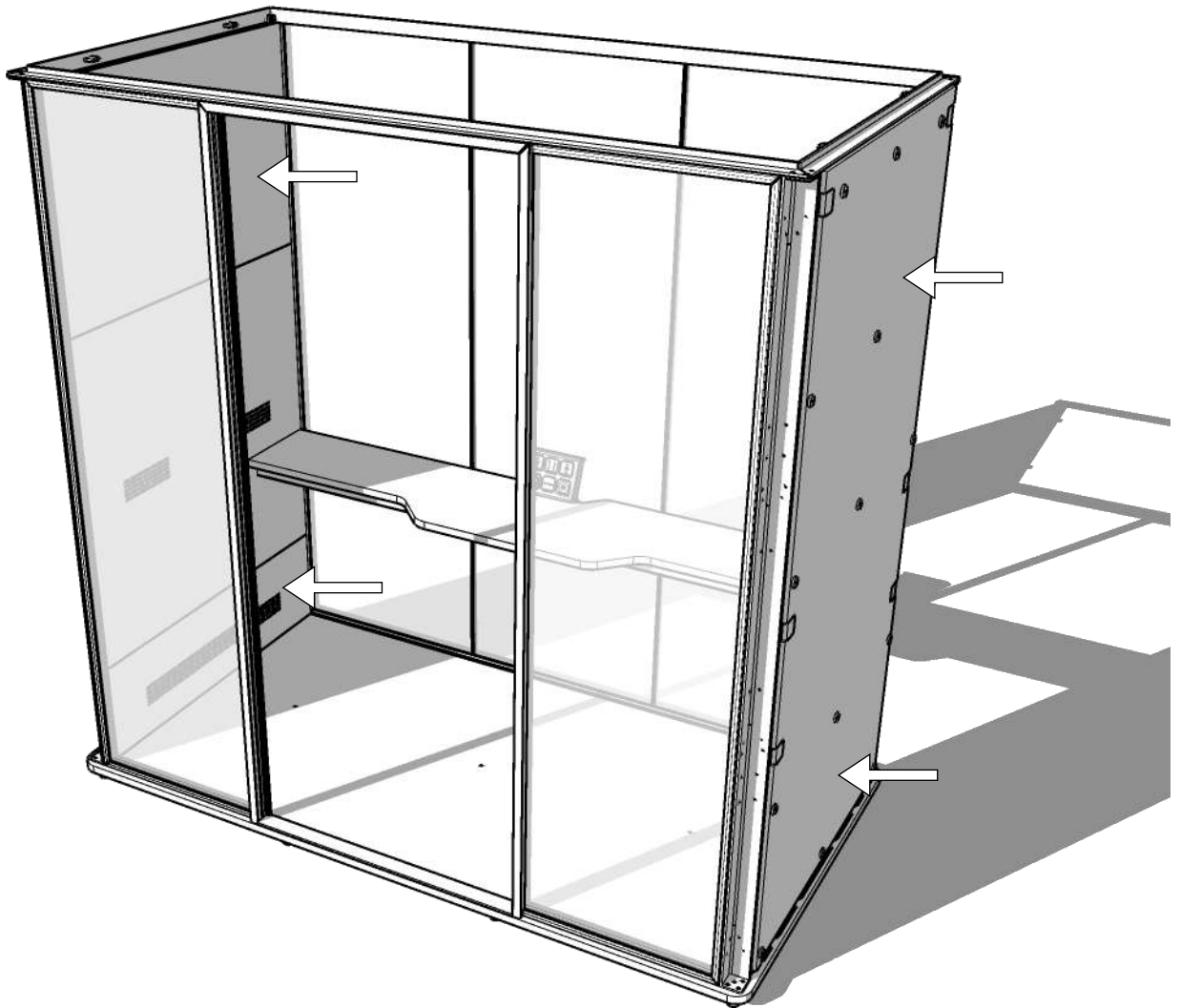
Place Hygienic Filters

Place from inside.



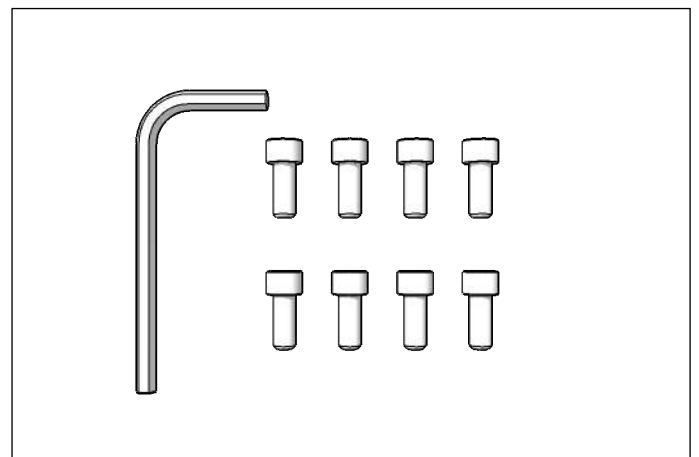
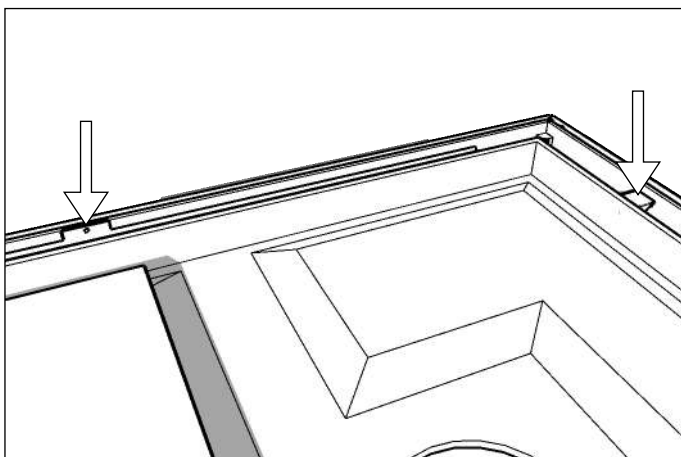
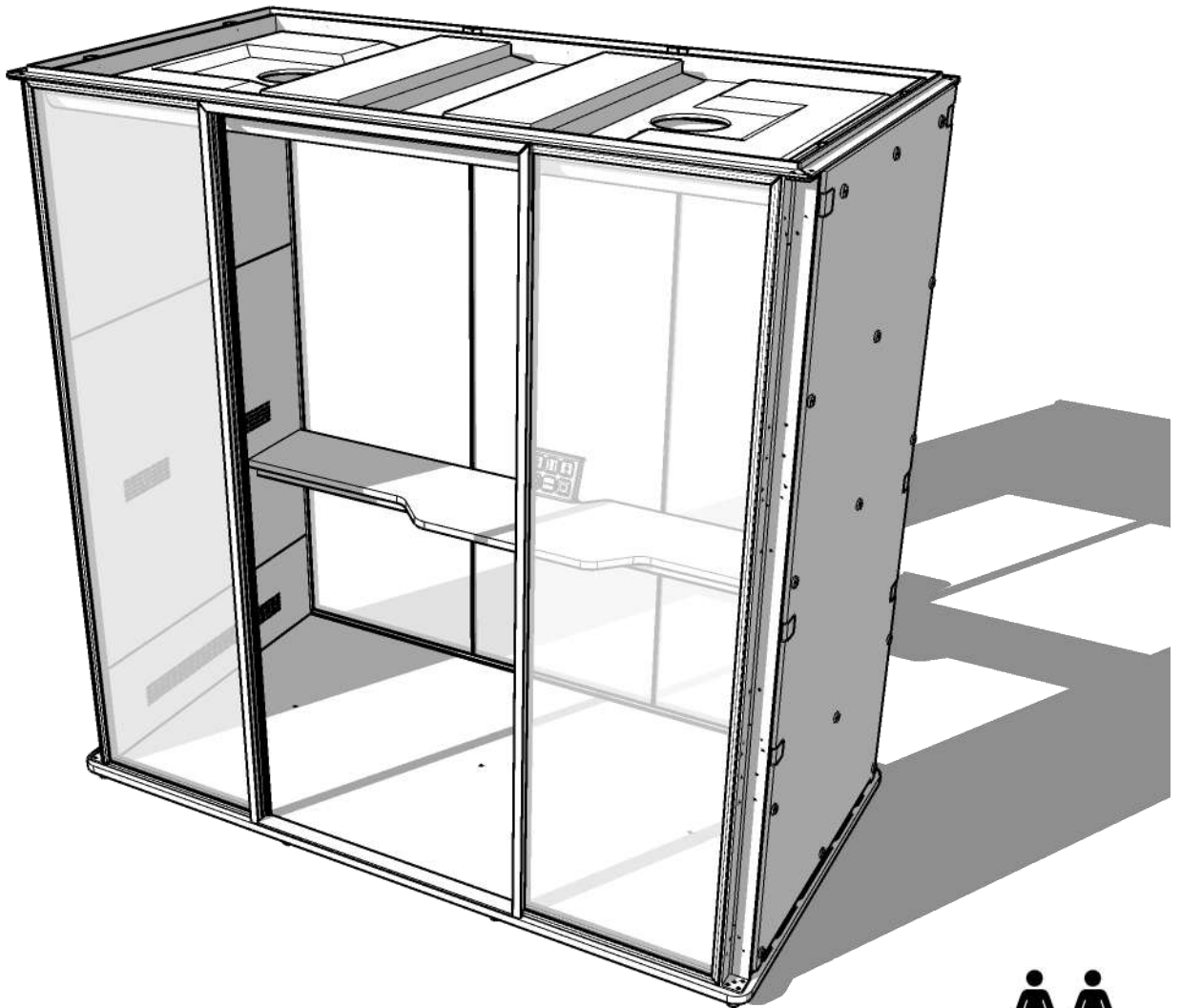
Velt Panels

Place from inside.

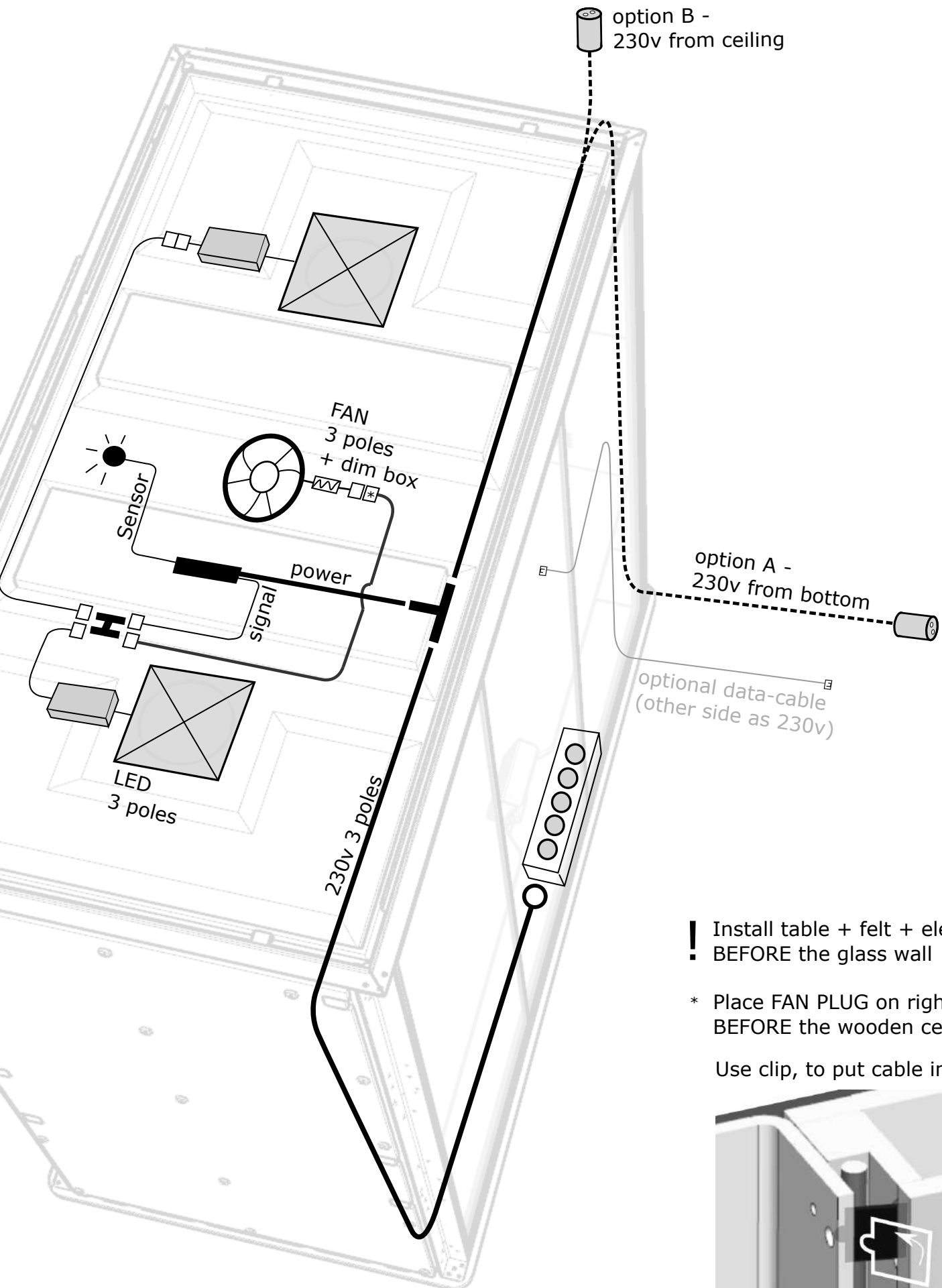


PET Ceiling

Lift over top bars and place from the top.



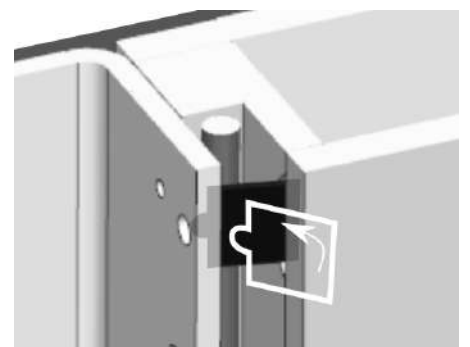
M5 x 12 / Allen 4

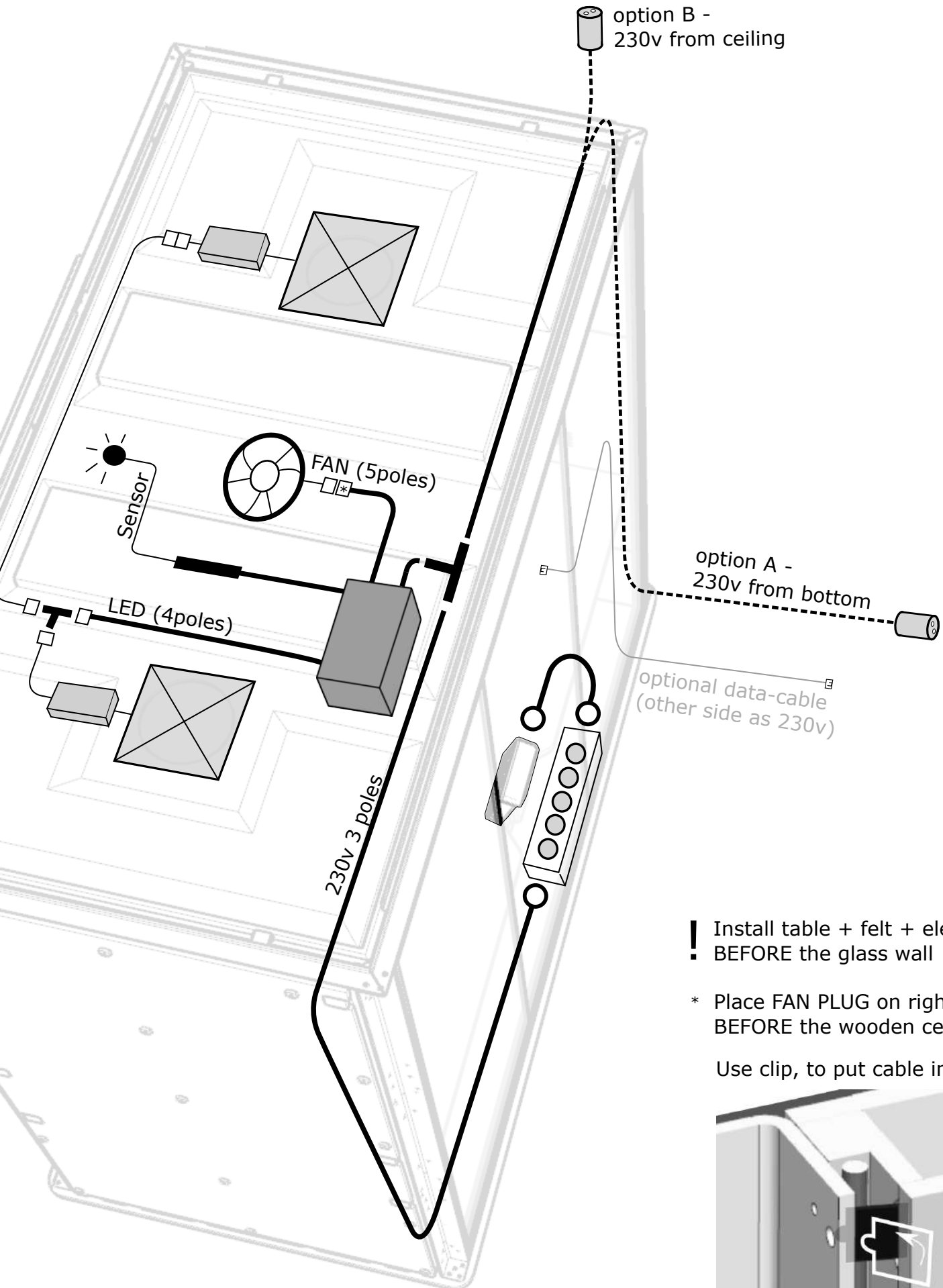


! Install table + felt + electric
BEFORE the glass wall

* Place FAN PLUG on right spot.
BEFORE the wooden ceiling.

Use clip, to put cable in place

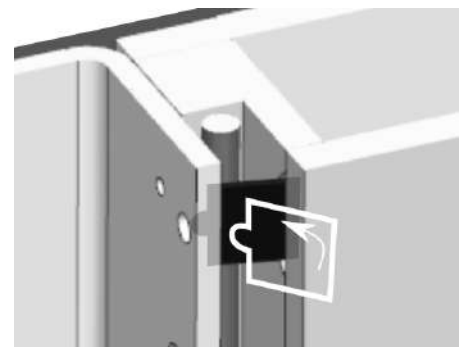


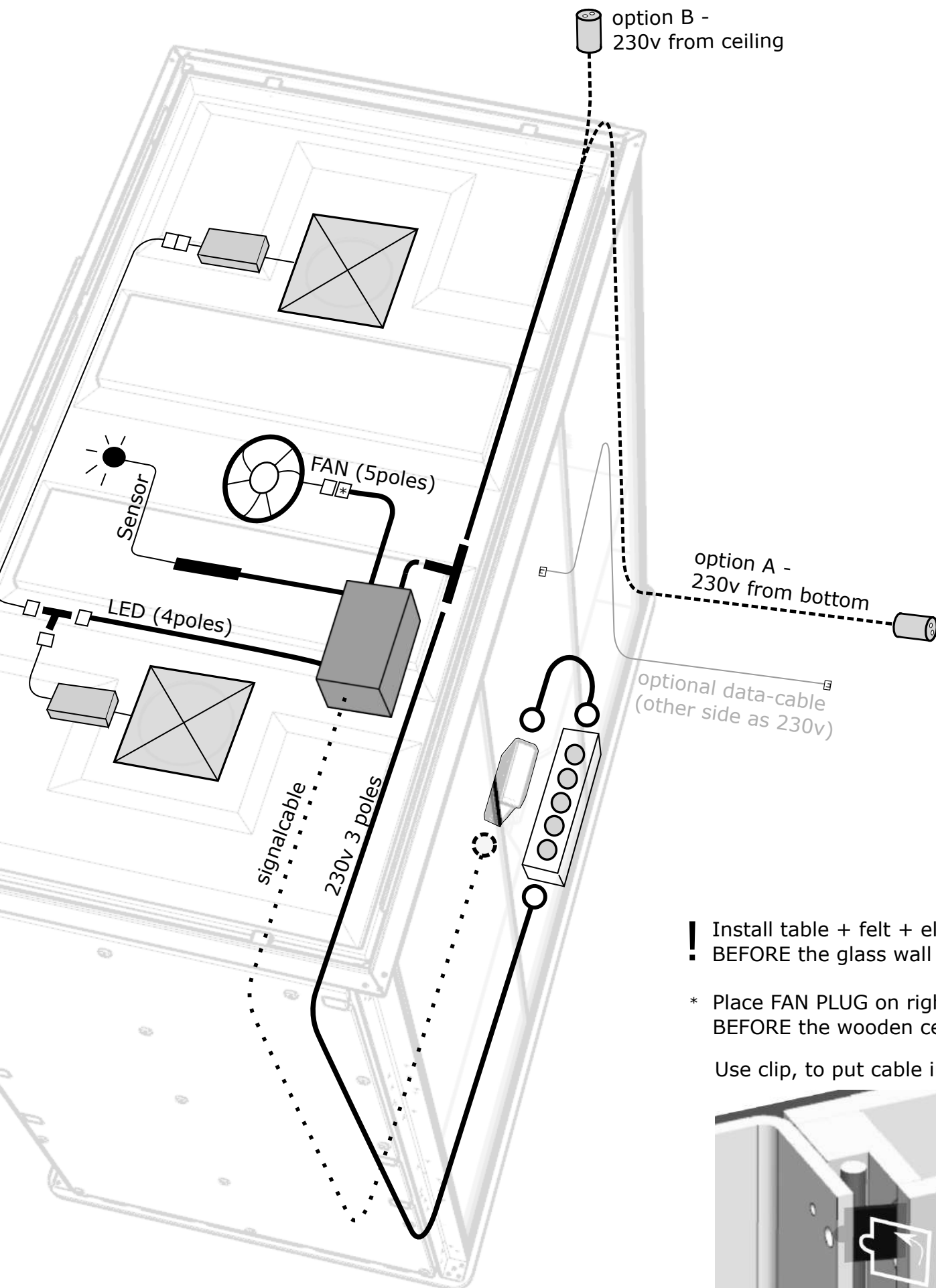


! Install table + felt + electric BEFORE the glass wall

* Place FAN PLUG on right spot. BEFORE the wooden ceiling.

Use clip, to put cable in place

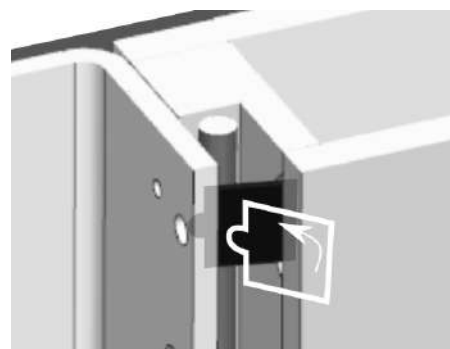




! Install table + felt + electric BEFORE the glass wall

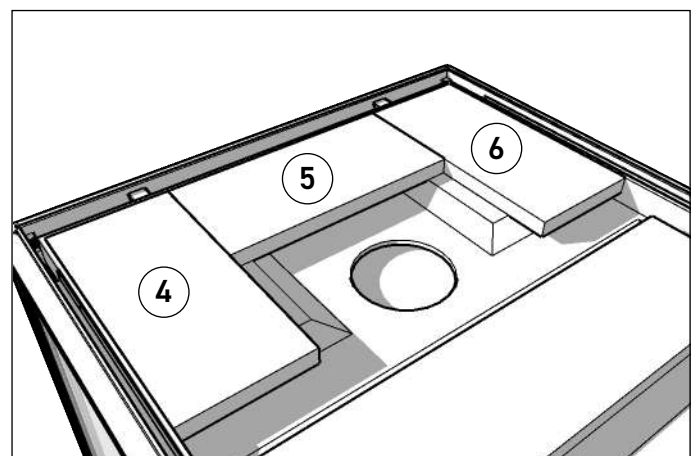
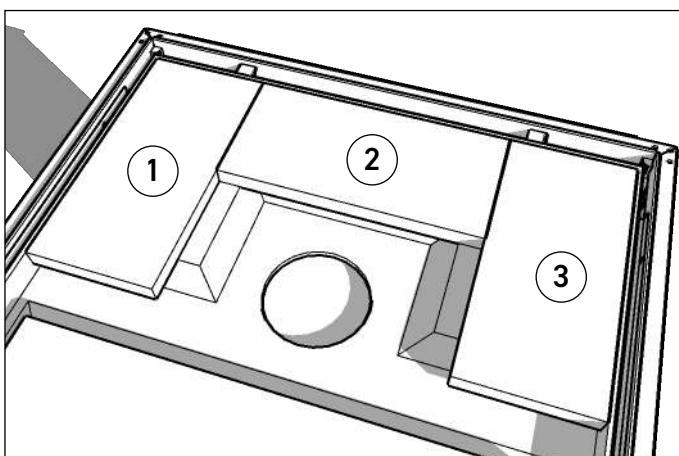
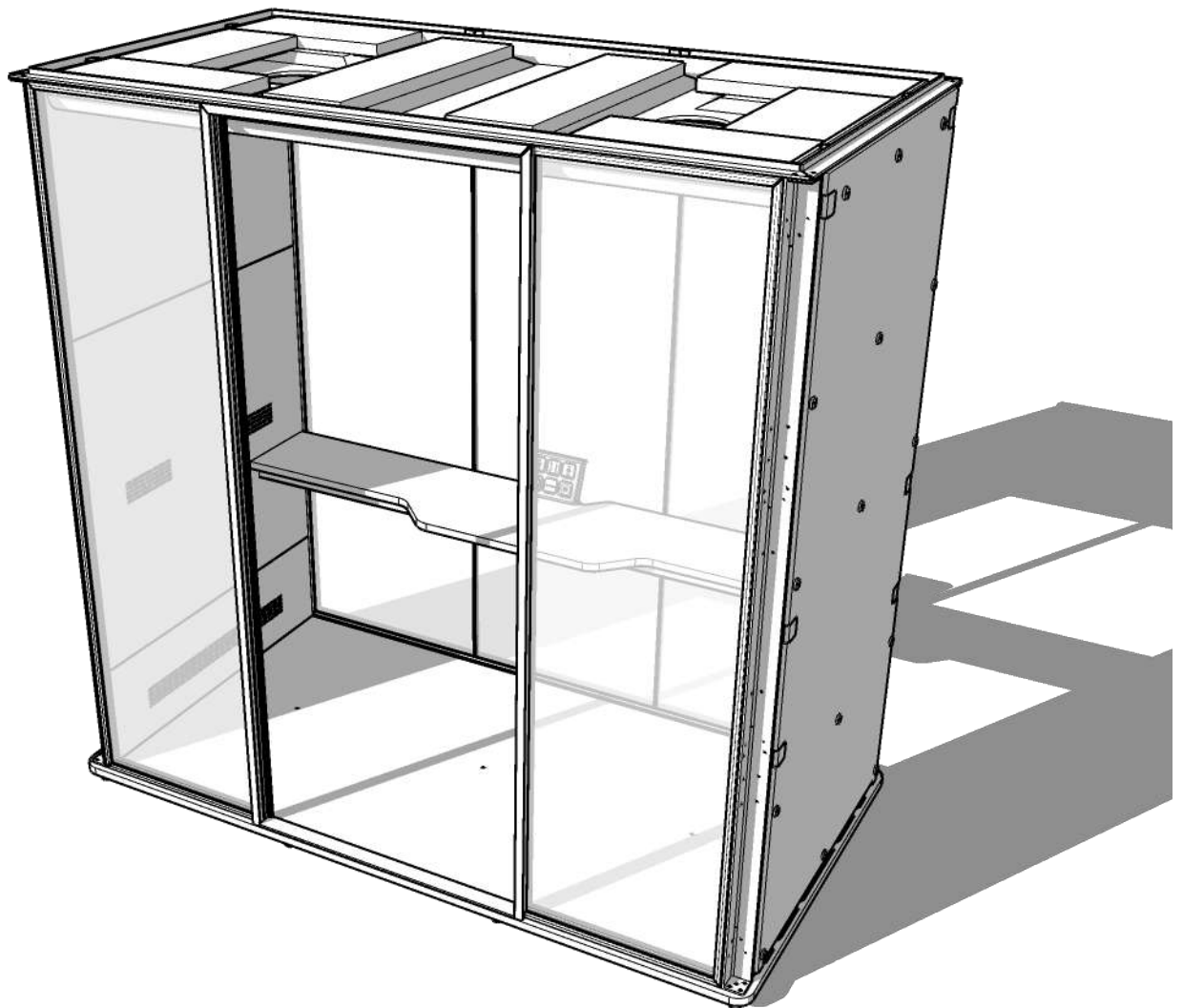
* Place FAN PLUG on right spot. BEFORE the wooden ceiling.

Use clip, to put cable in place



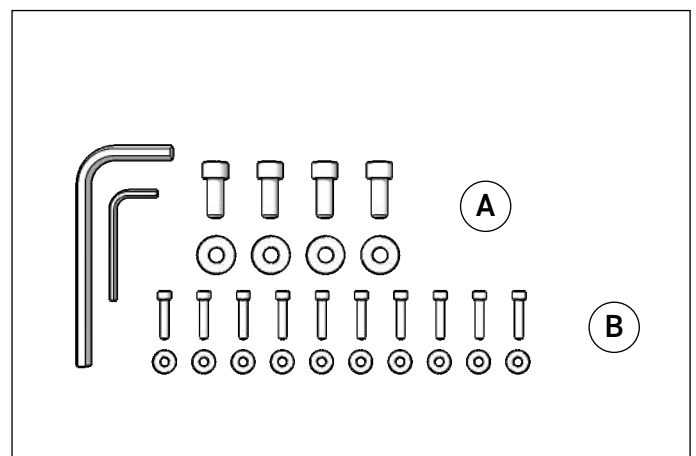
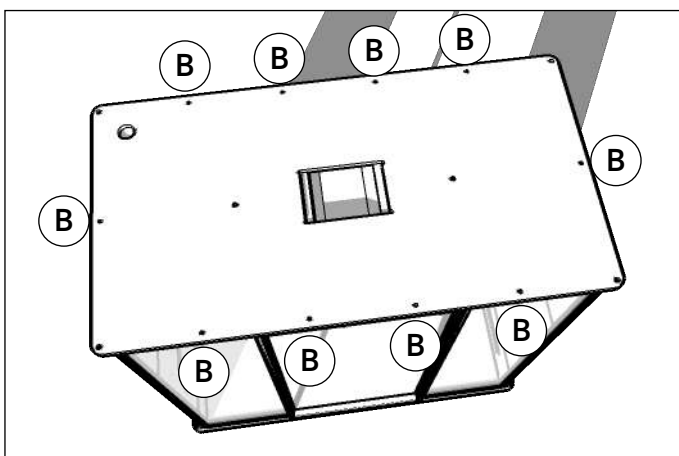
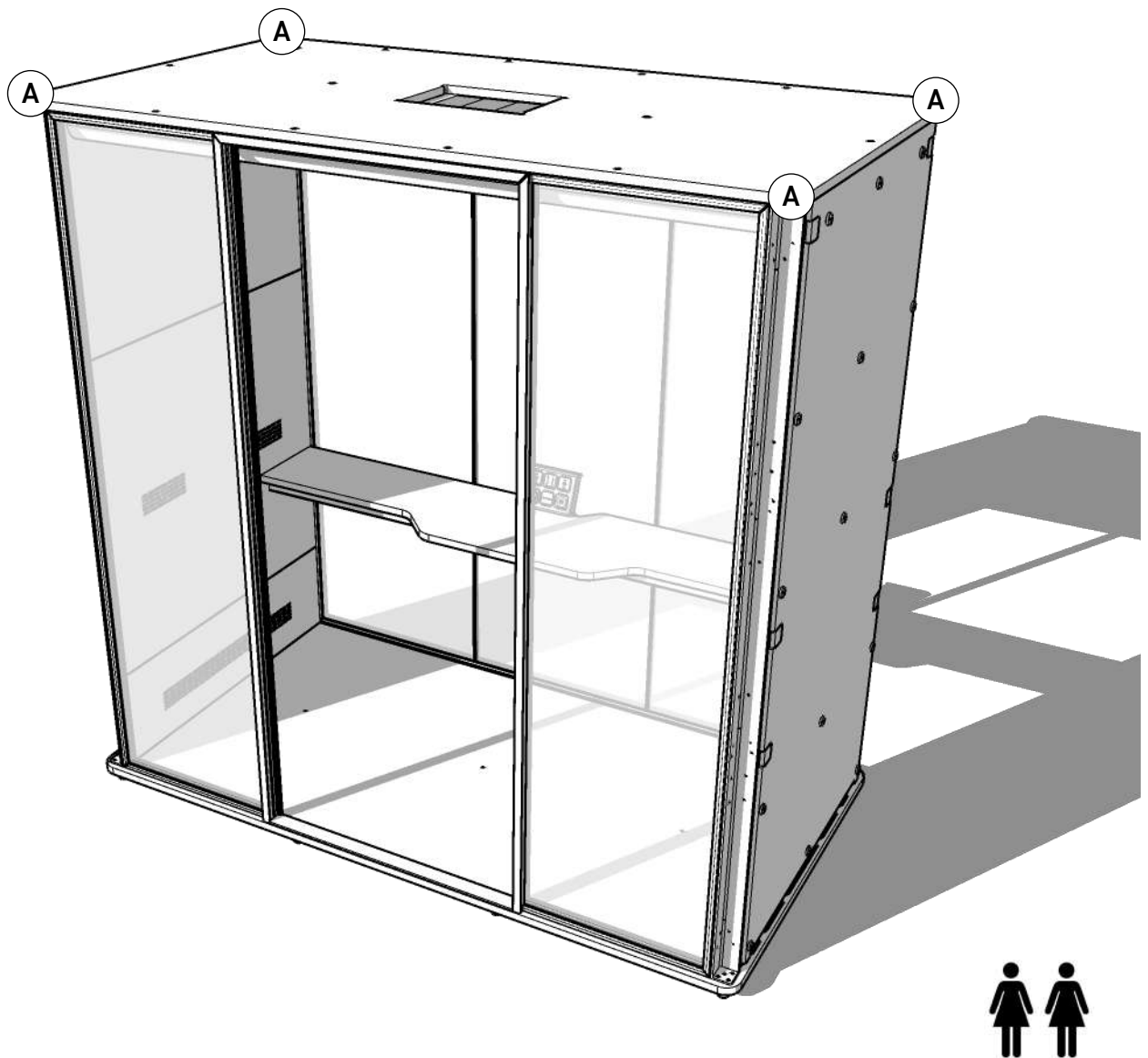
Acoustic Filling

Place properly against edges of ceiling



Top Panel

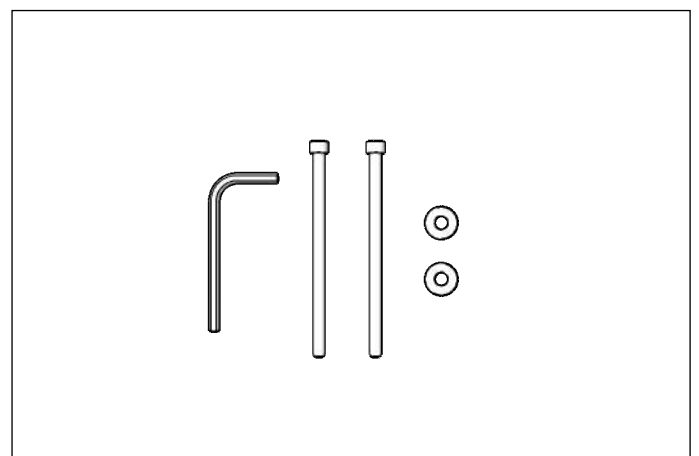
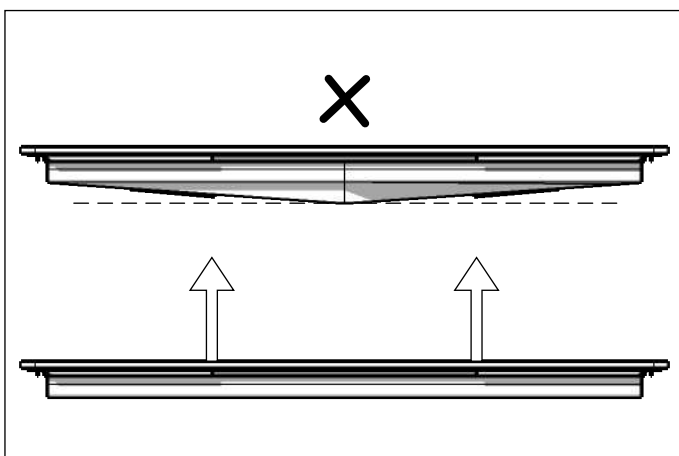
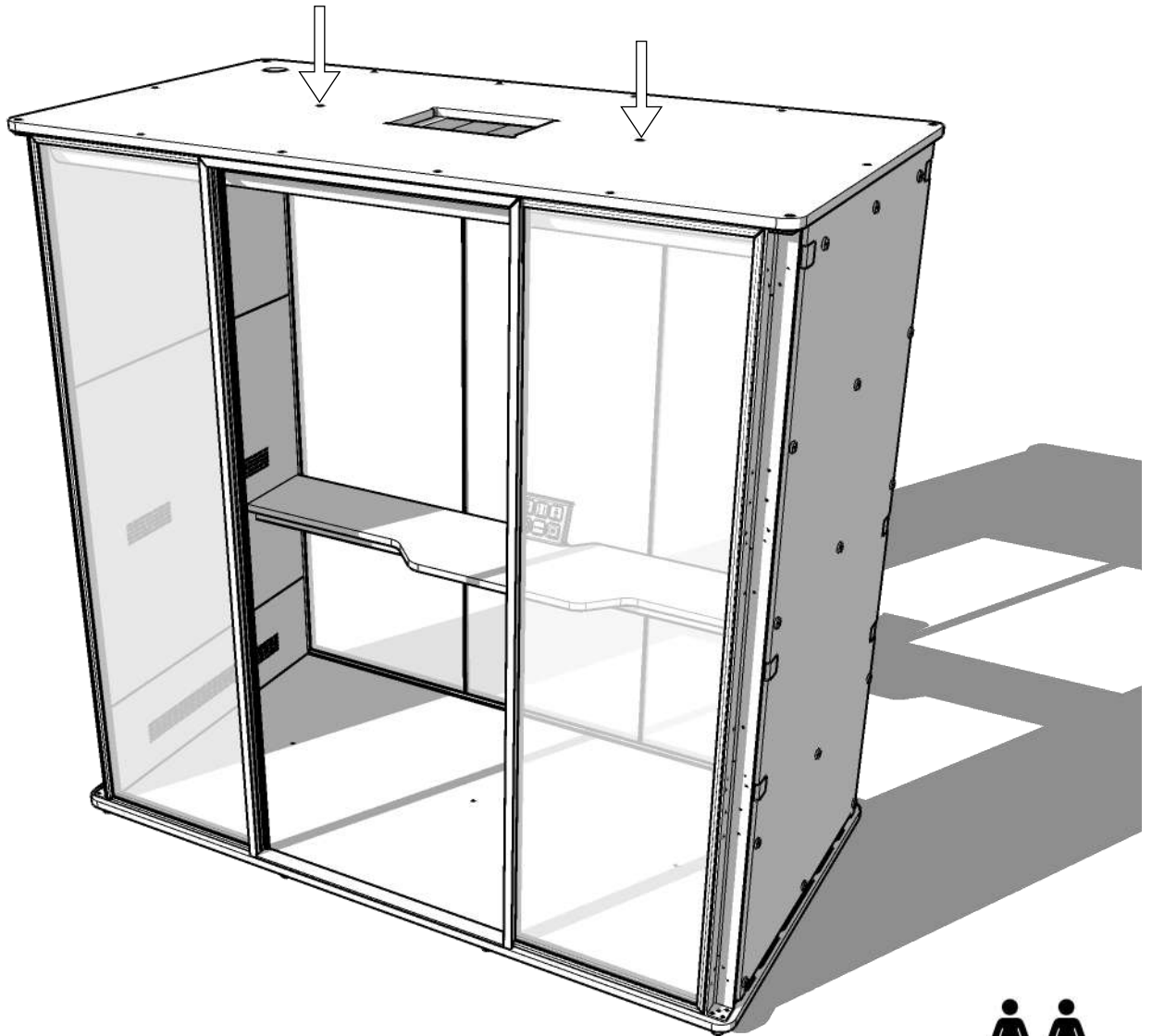
Place from top.



M10 x 25 / M10 Washer / Allen 8
M5 x 25 / M5 Washer / Allen 4

Adjust Ceiling

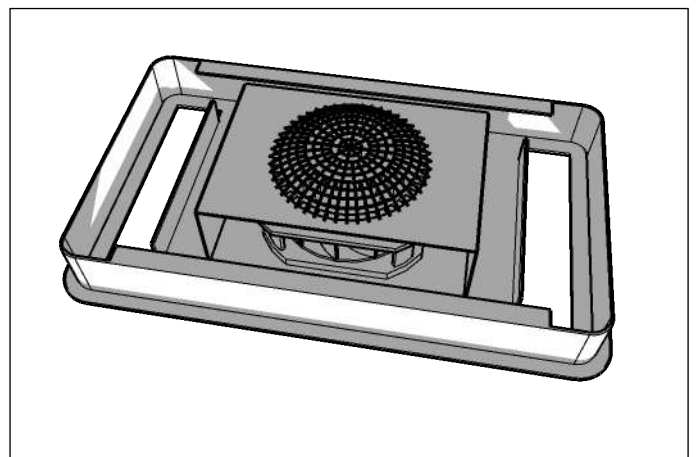
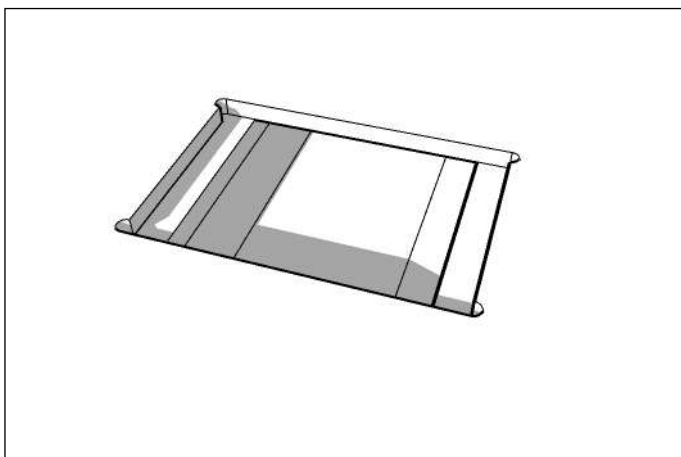
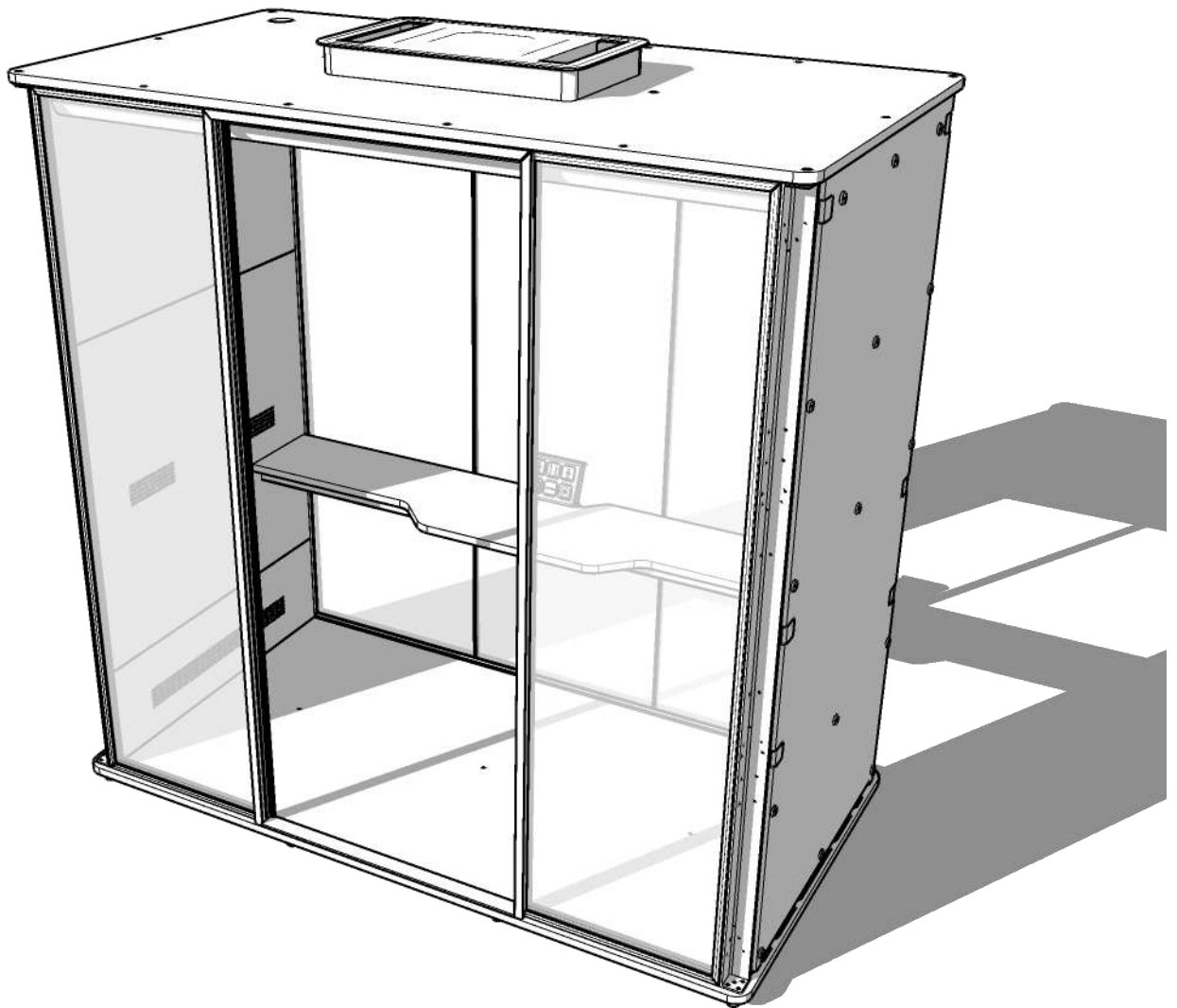
Use screw to pull the ceiling upwards and make the bottom of the ceiling level.



M5 x 90 / M5 Washer / Allen 4

Fan Housing

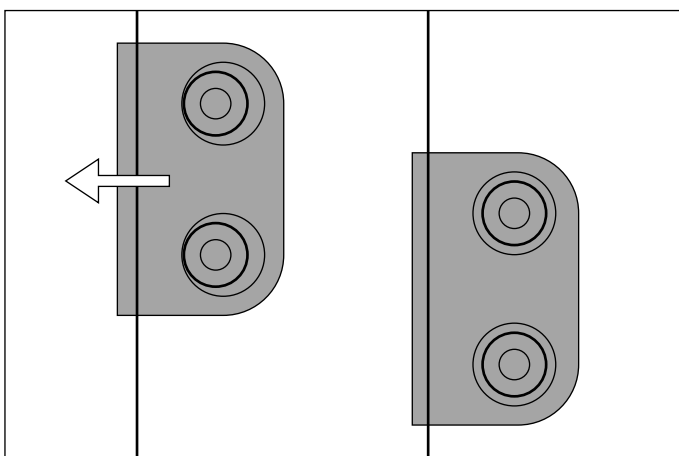
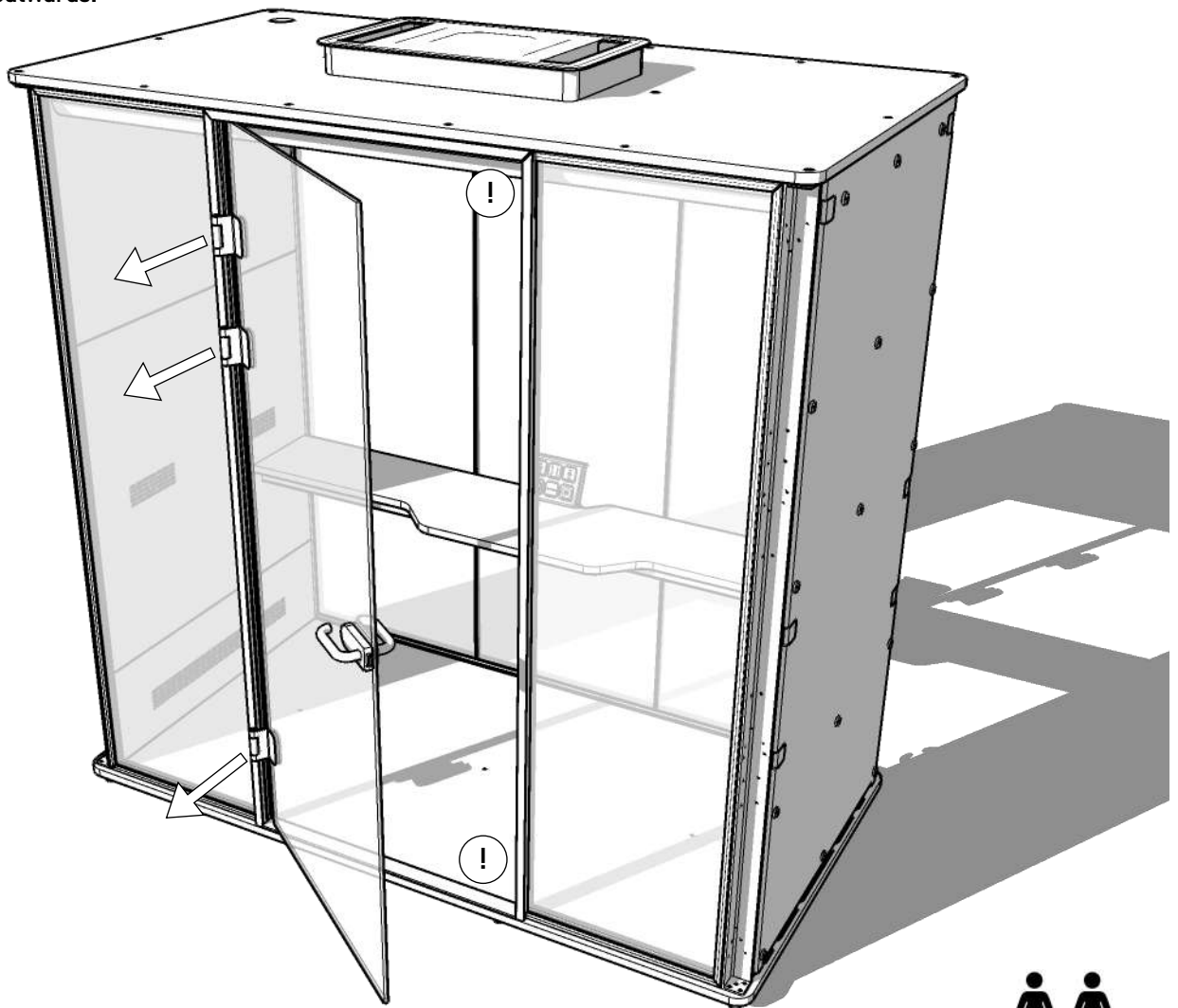
Make sure to plug in all connectors.



Place Door

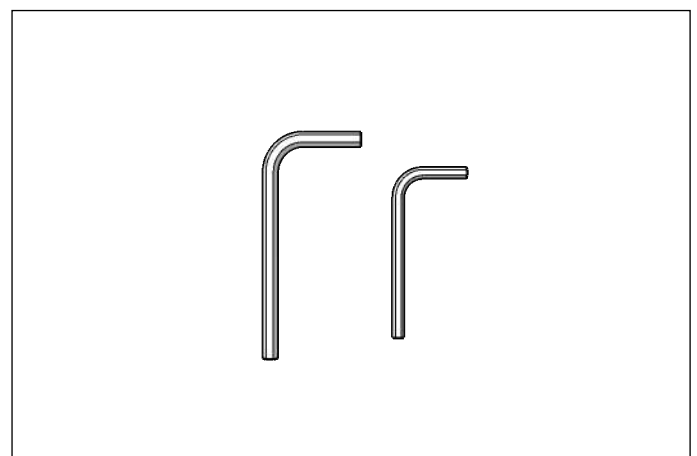
Make sure door is vertical and closes in the corners.

If the corners don't close
Place hinges outwards.



Top 2

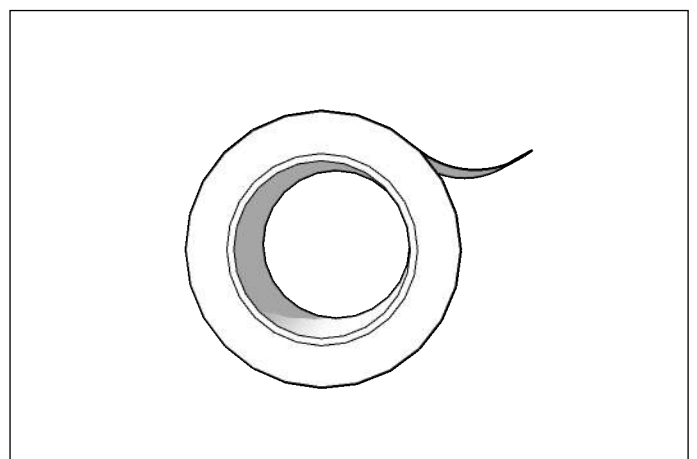
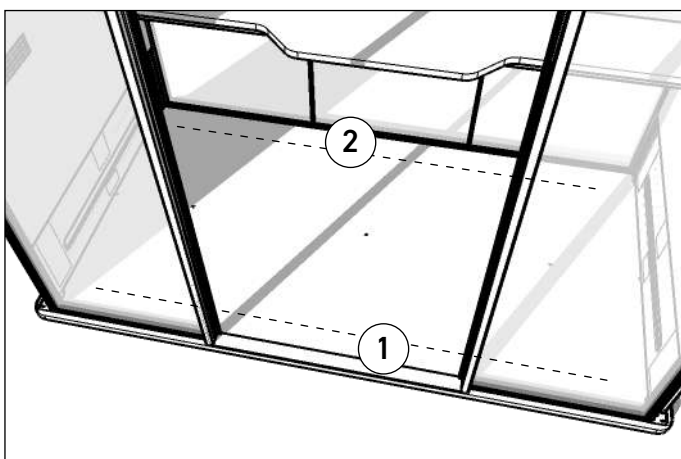
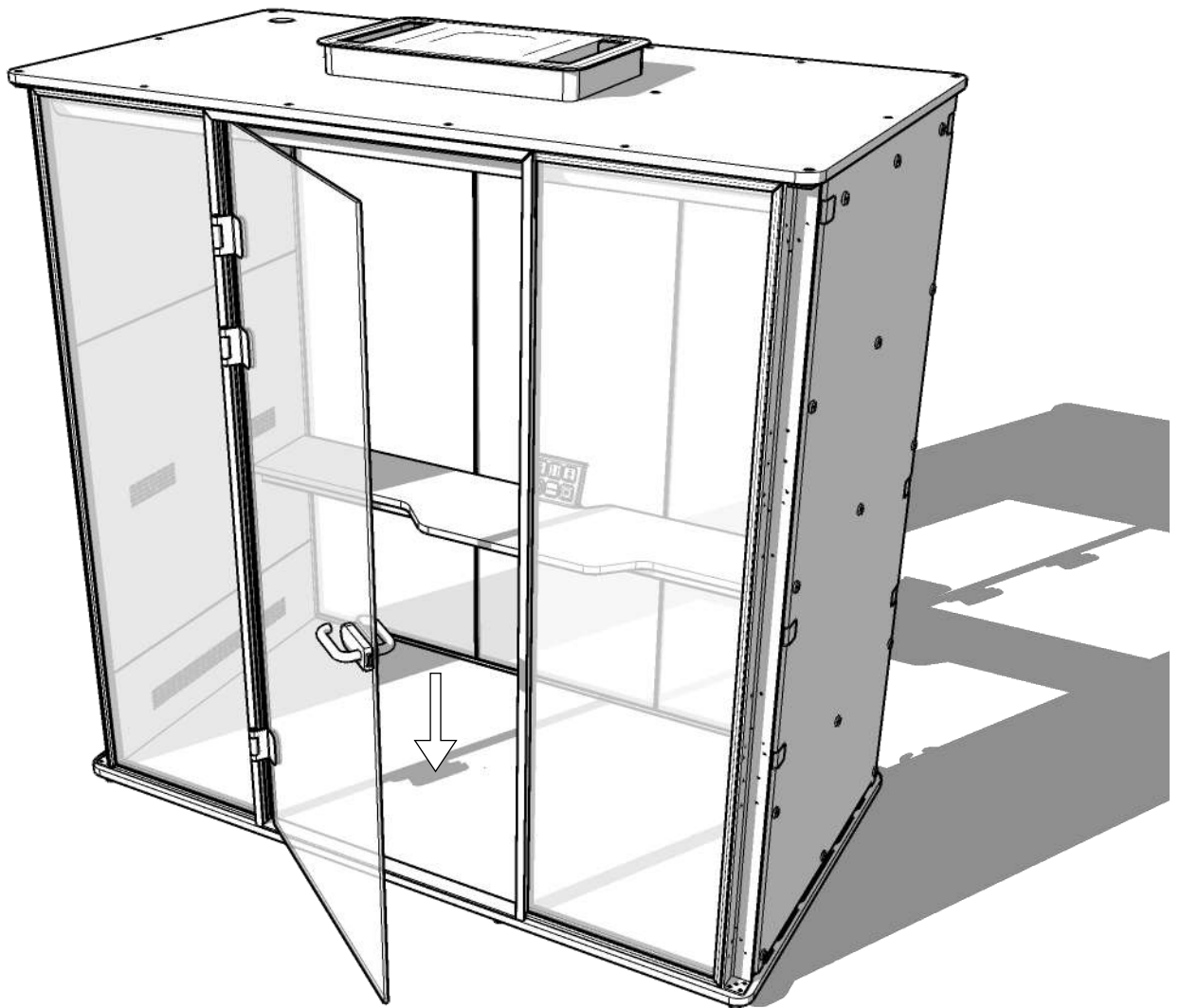
Bottom 1



Allen 4 / Allen 3

Place Carpet

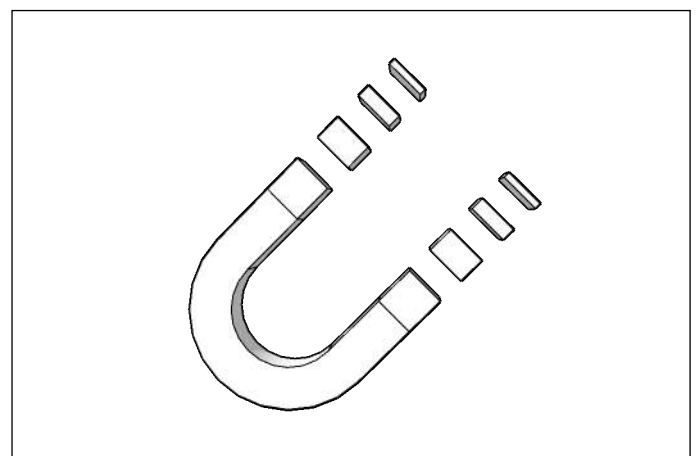
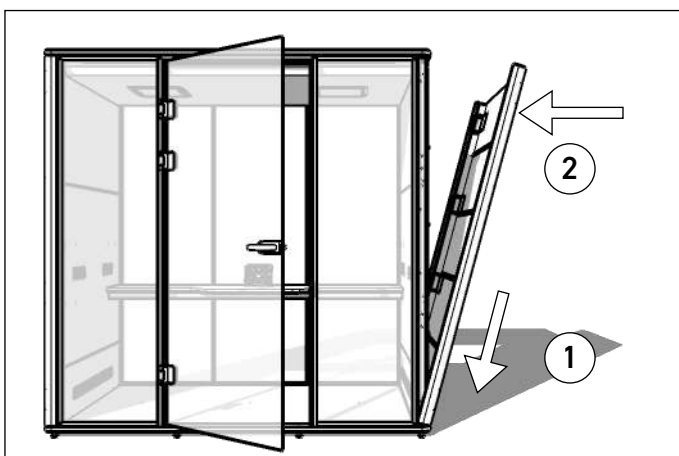
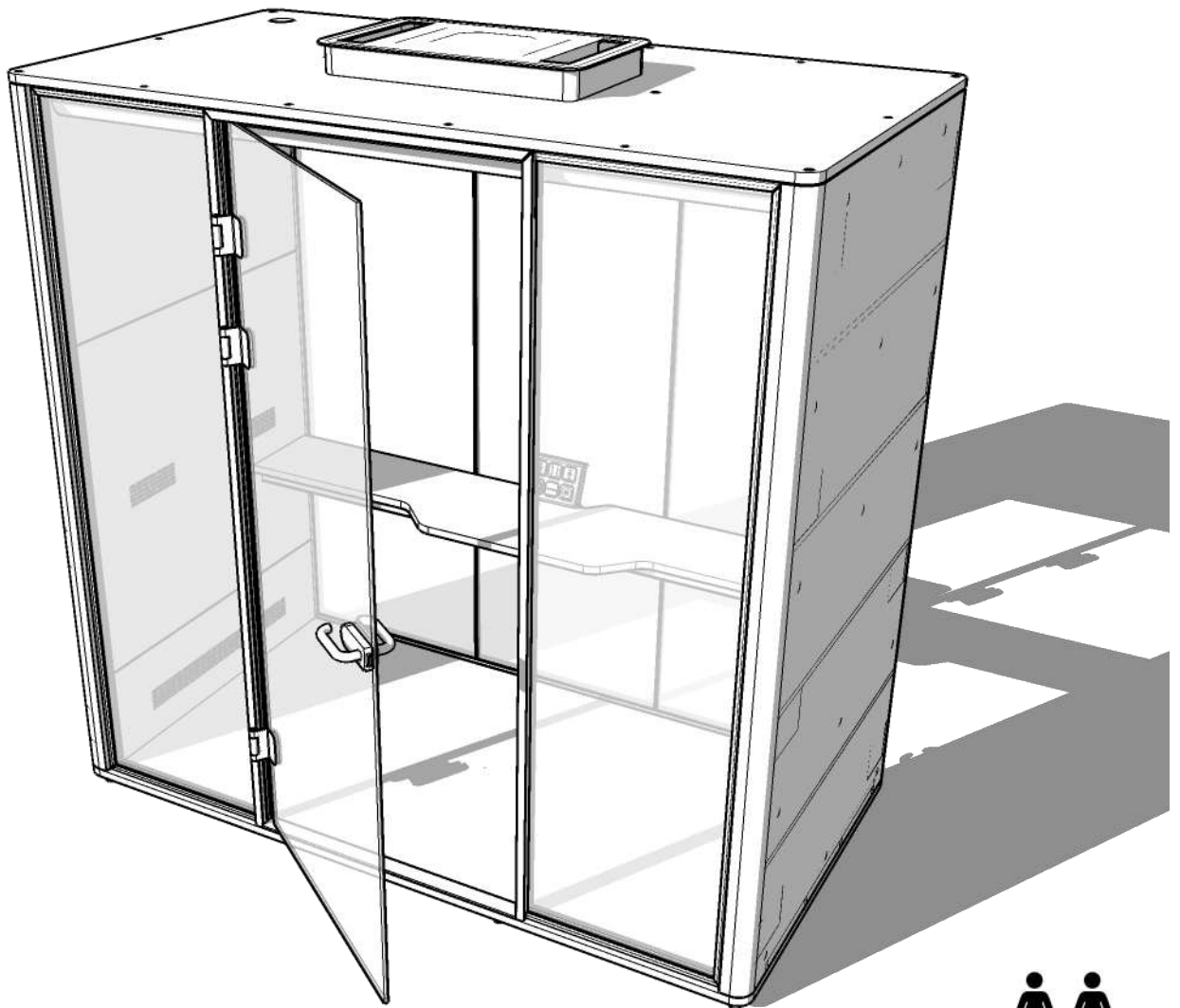
Make sure the carpet is down, so noone trips.



2 Sided Tape

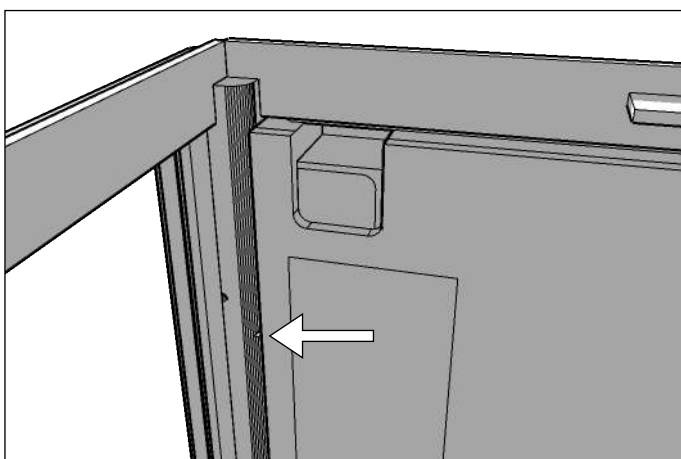
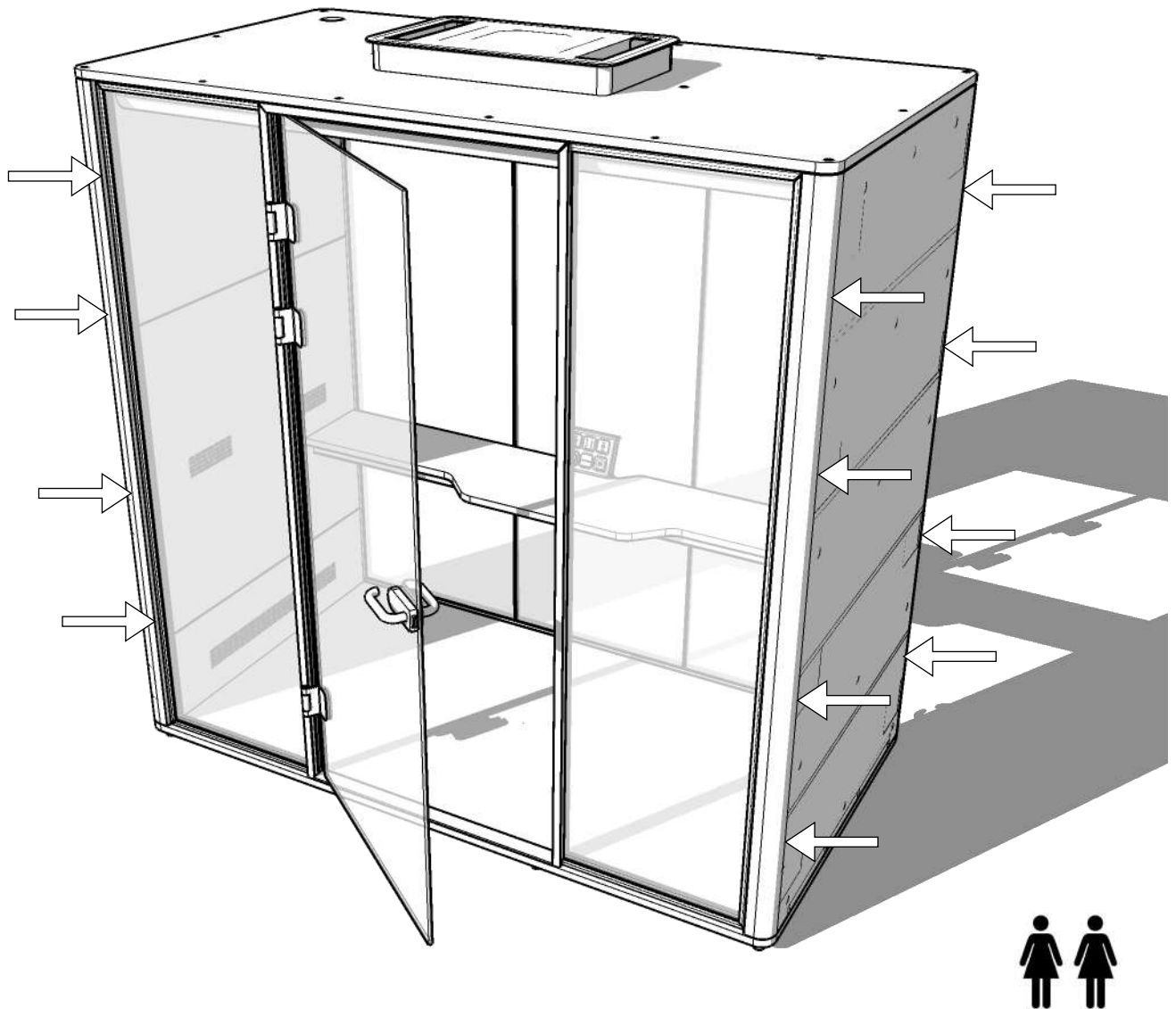
Fabric Panels

Be carefull. Do not drop the Fabric Panels on its corners. Deformation might occur.

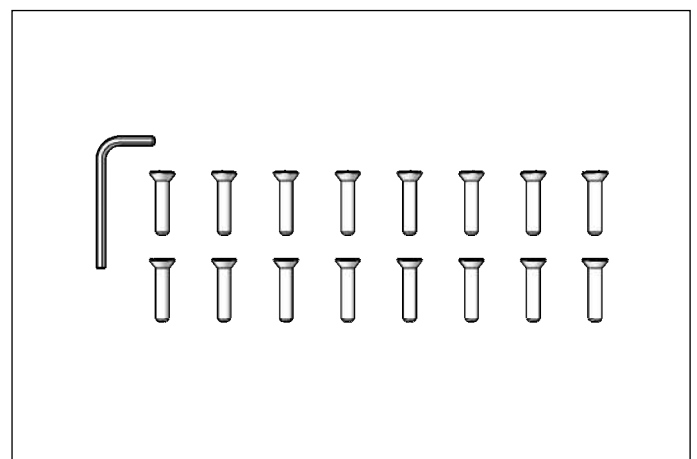


Fabric Panels

Adjust the Fabric Panels from the inside, by placing a screw on the inside of the Corner Posts.



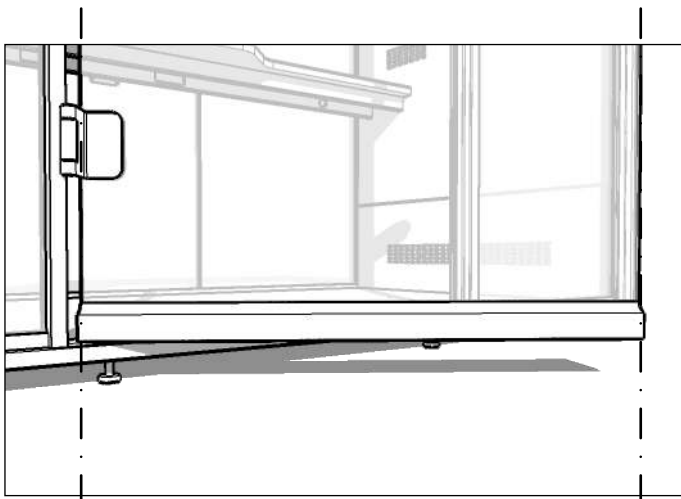
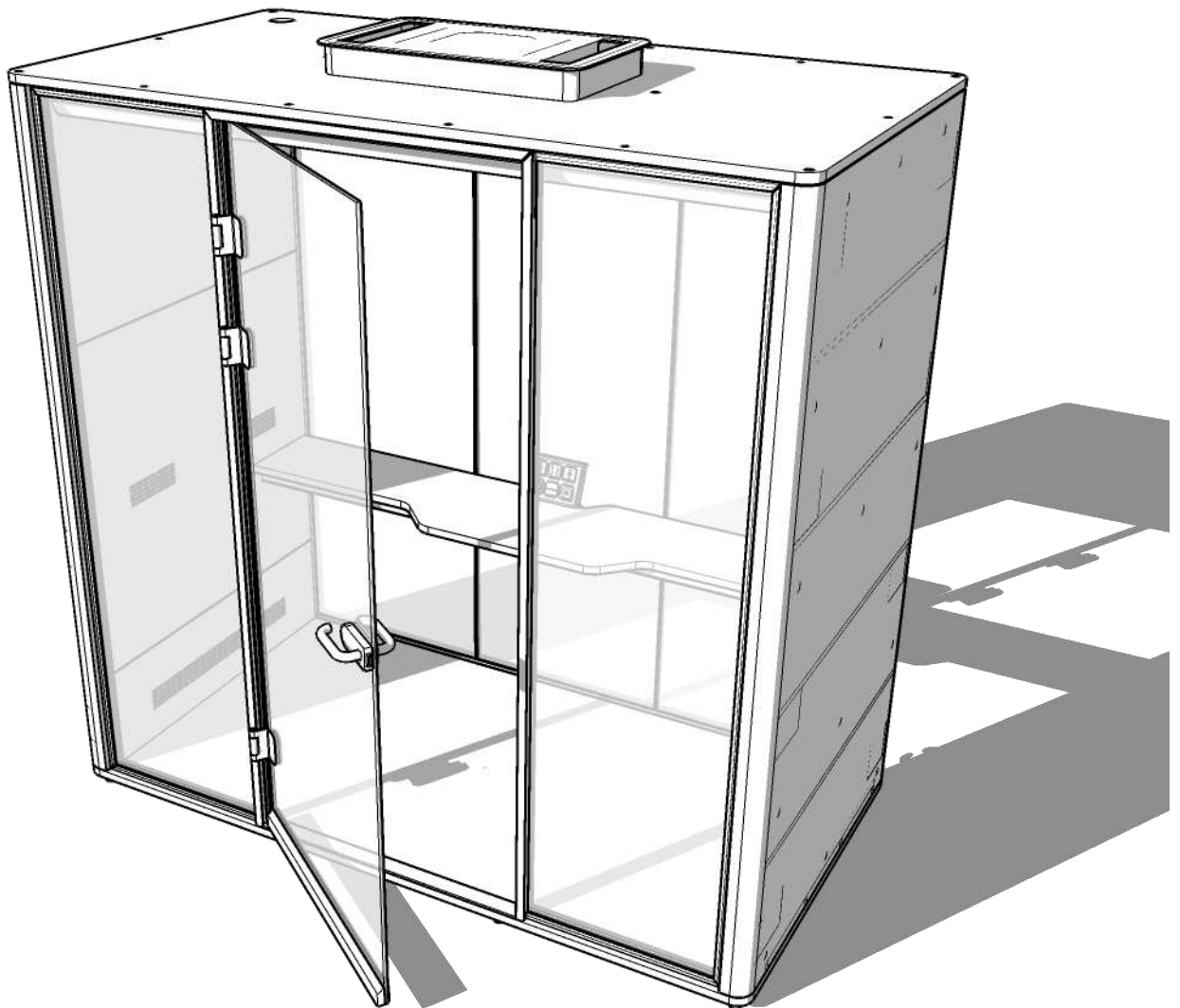
LIFT VELT



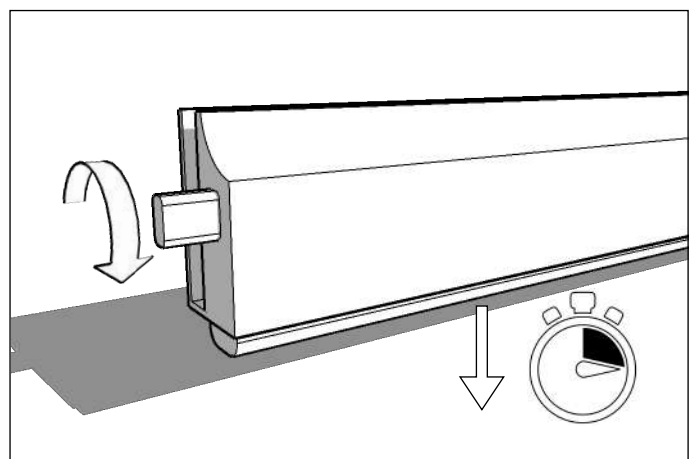
M5 x 25 / Allen 3

Place Drop Seal

Make sure first time is right. Tape does not come of.



CENTER



Adjust Drop

Silence CHAT

Enjoy!

